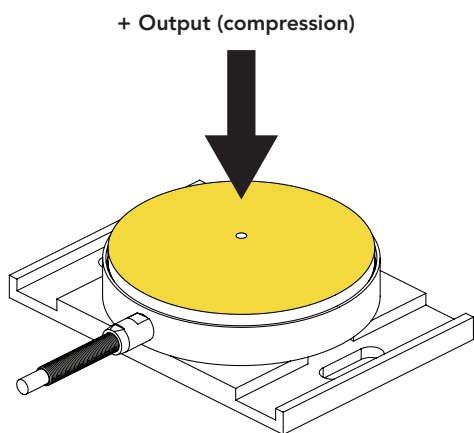




## FEATURES

- Ideal for Automotive Applications involving brake testing
- Ideal for Aerospace Applications involving pedal force testing
- Spike resistant and highly resistant to off-axis loading
- Low Profile Height
- Removable Mounting Plate
- Light weight

### Active end



## SPECIFICATIONS

### PERFORMANCE

Nonlinearity	±0.25% of RO
Hysteresis	±0.25% of RO
Nonrepeatability	±0.1% of RO
Off Center Loading	±1% or better @ 0.625 in [15.9 mm] from center

### ELECTRICAL

Rated Output (RO)	2 mV/V nom
Excitation (VDC or VAC)	20 max
Bridge Resistance	700 Ohm nom
Insulation Resistance	≥500 MOhm @ 50 VDC
Connection	#24 AWG, 4 conductor, braided shielded PVC cable 15 ft [4.5 m] long
Wiring Code	WC1

### MECHANICAL

Weight	16 oz (454 g)
Safe Overload	150% of RO
Material	17-4 PH stainless-steel
IP Rating	IP64

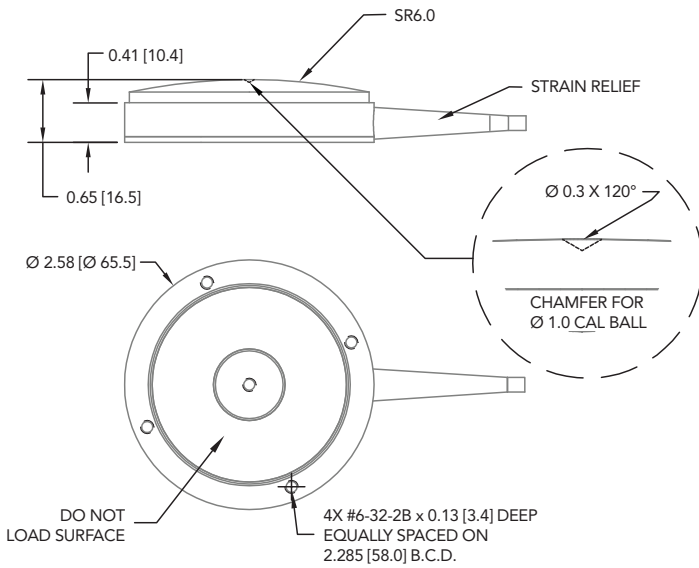
### TEMPERATURE

Operating Temperature	-60 to 200°F [-50 to 93°C]
Compensated Temperature	60 to 160°F [15 to 72°C]
Temperature Shift Zero	±0.003% of RO/°F [0.018% of RO/°C]
Temperature Shift Span	±0.01% of Load/°F [0.018% of Load/°C]

### CALIBRATION

Calibration Test Excitation	10 VDC
Calibration (standard)	5-pt compression
Shunt Calibration Value	100 kOhm

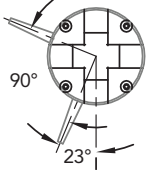
## DIMENSIONS inches [mm]



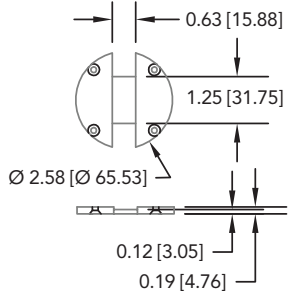
## MOUNTING PLATES (ALUMINUM, RED ANODIZED)

### ROUND PLATE

ITEM# MCP01098

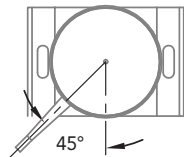


SENSOR CAN BE ROTATED AT 90° INCREMENTS

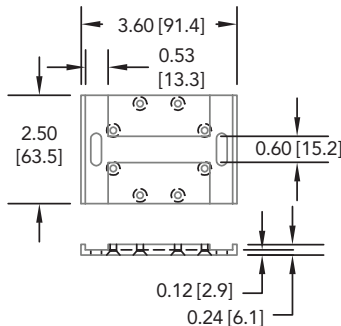


### RECTANGULAR PLATE

ITEM# MCP00218



SENSOR CAN BE ROTATED AT 45° INCREMENTS

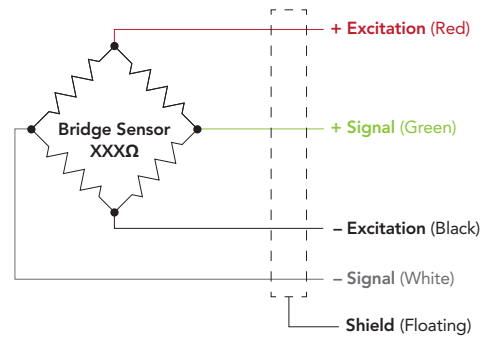


## CAPACITIES

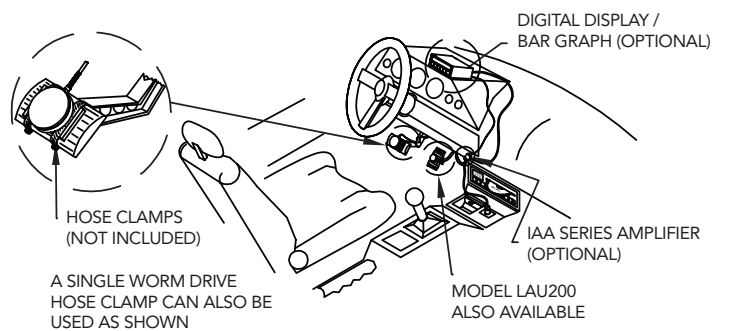
ITEM #	lb	N	Deflection (in)	Natural Frequency (Hz)
FSH03184	300	1334	0.003	1500
FSH02945	500	2224	0.003	2000

## WIRING CODE (WC1 WITH SHIELD)

RED	+ EXCITATION
BLACK	- EXCITATION
GREEN	+ SIGNAL
WHITE	- SIGNAL
SHIELD	FLOATING



## TYPICAL APPLICATION



Model LAU220 includes (one of each)  
Total Weight 2 lb [0.9 kg]

Mounting Plate  
Item# MCP00218  
Item# MCP01098  
100 kohm shunt cal.  
Carrying case

Drawing Number: FI1048-G

FUTEK reserves the right to modify its design and specifications without notice. Please visit [www.futek.com/salesterms](http://www.futek.com/salesterms) for complete terms and conditions.

10 Thomas, Irvine, CA 92618 USA

Tel: (949) 465-0900

Fax: (949) 465-0905

[www.futek.com](http://www.futek.com)



U.S. Manufacturer