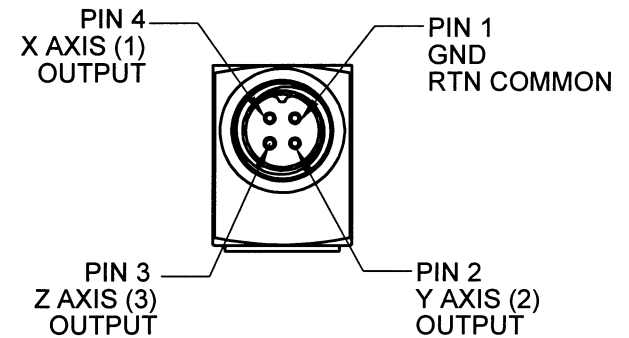
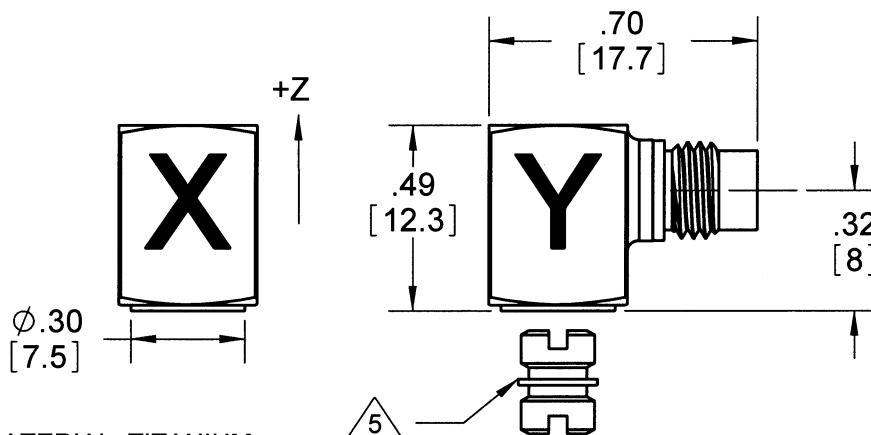
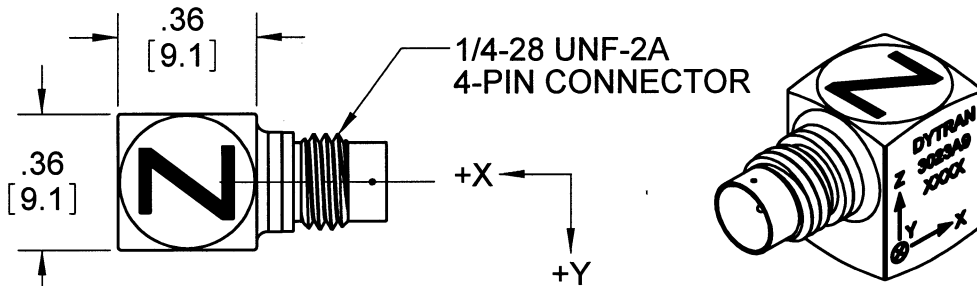


PROPRIETARY AND CONFIDENTIAL

THE INFORMATION CONTAINED IN THIS DRAWING IS THE SOLE PROPERTY OF DYTRAN INSTRUMENTS INC. ANY REPRODUCTION IN PART OR AS A WHOLE WITHOUT THE WRITTEN PERMISSION OF DYTRAN INSTRUMENTS, INC. IS PROHIBITED

REVISIONS

REV	ECN	DESCRIPTION	BY/DATE	CHK	APPR
A	6102	INITIAL RELEASE, SAME AS REV X2	EP 07/15/09	JS	DV



MOUNTING RECOMMENDATIONS
PREPARE A SURFACE TO A FLATNESS
EQUAL OR BETTER THAN .0001 TIR.
TAP 10-32 UNF-2B ∇ .200 MIN.

- 5. MOUNTING STUD MODEL 6200 SUPPLIED.
- 4. HOUSING/CONNECTOR MATERIAL: TITANIUM
- 3. ARROWS INDICATE DIRECTIONS OF ACCELERATION FOR POSITIVE OUTPUT.
- 2. SENSITIVITY: 1 mV/G
- 1. WEIGHT: 4.0 GRAMS APPROXIMATELY

NOTES: UNLESS OTHERWISE SPECIFIED.

UNLESS OTHERWISE SPECIFIED: INTERPRET DIM & TOL PER ASME Y14.5M - 1994. REMOVE BURRS. COUNTERSINK INTERNAL THDS 90° TO MAJOR DIA. CHAM EXT THDS 45° TO MINOR DIA. THD LENGTHS AND DEPTHS ARE FOR MIN FULL THDS. THDS PER MIL-S-7742. DIMENSIONS APPLY AFTER FINISHING.		UNLESS OTHERWISE SPECIFIED: DIMENSIONS ARE IN INCHES. DIMENSIONS IN BRACKETS [] ARE IN MILLIMETERS TOLERANCES ARE: INCHES METRIC ANGLES .XX ± .03 X ± 0.8 ± 1° .XXX ± 0.10 .XX ± 0.25	
3023A9	USED ON	NEXT ASSY	APPLICATION
THIRD ANGLE PROJECTION USA			
ALL MACHINED SURFACES ∇ 63 TOTAL RUNOUT WITHIN .005. BREAK SHARP EDGES .005 TO .010. MACHINED FILLET RADII .005 TO .015. WELDING SYMBOLS PER AWS A2.4. ABBREVIATIONS PER MIL-STD-12.			

CONTRACT NO.	
APPROVALS	DATE
ORIG DV	07/01/09
CHK JS	07/16/09
APP DV	7/17/09
DO NOT SCALE DRAWING	

DYTRAN INSTRUMENTS, INC. Chatsworth, CA

MASTER COPY IN RED

TITLE: **OUTLINE/INSTALLATION DRAWING, MODEL 3023A9**

SIZE	CAGE CODE	DWG. NO.	REV
A	2W033	127-3023A9	A
SCALE: 2:1	SOLIDWORKS		SHEET 1 OF 1



SPECIFICATIONS, MODEL 3023A9 TRIAXIAL ACCELEROMETER

SPECIFICATIONS	VALUE	UNITS
PHYSICAL		
WEIGHT	4	GRAMS
SIZE (HEIGHT x WIDTH x DEPTH)	0.49 x .36 x .36	INCHES
MOUNTING	10-32 TAPPED HOLE IN BASE	
CONNECTOR	4-PIN	
MATERIAL, HOUSING/CONNECTOR	TITANIUM ALLOY	
PERFORMANCE		
SENSITIVITY, $\pm 10\%$ [1]	1	mV/G
RANGE, F.S. (each axis)	+/- 5000	G
FREQUENCY RESPONSE, -5 / +15%		
Axis 1 & 2	0.55 to 5000	Hz
Axis 3	0.55 to 10000	Hz
RESONANT FREQUENCY	>30	kHz
SPECTRAL NOISE		
1.25 Hz	8100	$\mu\text{g}/\text{sqr}(\text{Hz})$
10 Hz	2500	$\mu\text{g}/\text{sqr}(\text{Hz})$
100 Hz	1100	$\mu\text{g}/\text{sqr}(\text{Hz})$
1000 Hz	630	$\mu\text{g}/\text{sqr}(\text{Hz})$
10000 Hz	550	$\mu\text{g}/\text{sqr}(\text{Hz})$
LINEARITY [2]	1	%F.S.
TRANSVERSE SENSITIVITY, MAX.	6	%
SIGNAL POLARITY	POSITIVE FOR MOTION IN DIRECTION OF ARROWS ON HOUSING	
ENVIRONMENTAL		
MAXIMUM VIBRATION	300	G pk
MAXIMUM SHOCK	7000	G pk
TEMPERATURE RANGE	-60 to +250	$^{\circ}\text{F}$
ENVIRONMENTAL SEAL	HERMETIC	
COEFFICIENT OF THERMAL SENSITIVITY	.02	$\%/^{\circ}\text{F}$
ELECTRICAL		
SUPPLY CURRENT RANGE, (each axis) [3]	2 to 20	mA
COMPLIANCE (SUPPLY) VOLTAGE RANGE (each axis)	+18 to +30	VDC
OUTPUT IMPEDANCE, TYP.	100	OHMS
OUTPUT BIAS VOLTAGE, NOM.	+8 to +10	VDC
DISCHARGE TIME CONSTANT, NOM.	0.4 to 0.5	SEC
GROUND ISOLATION	CASE GROUNDED	
ACCESSORIES SUPPLIED		
MODEL 6200		

[1] Reference sensitivity measured at 100 Hz, 1 G RMS per ISA RP 37.2

[2] Linearity is % of specified full scale (or any lesser full scale range), zero-based best fit straight line method.

[3] Power only with Dytran LIVM power unit or other Dytran-compatible constant current type power unit. If power is applied without current limiting protection, the internal amplifier will be immediately destroyed.