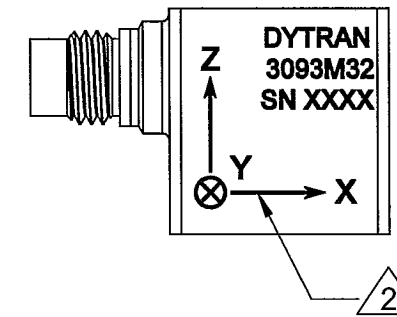
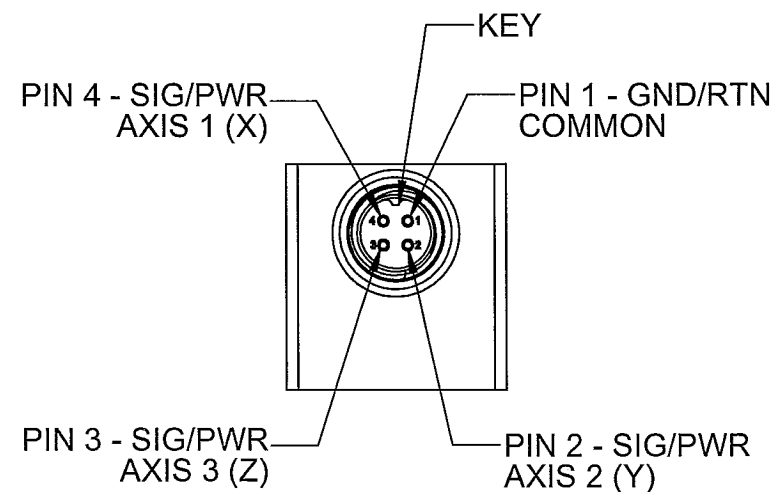
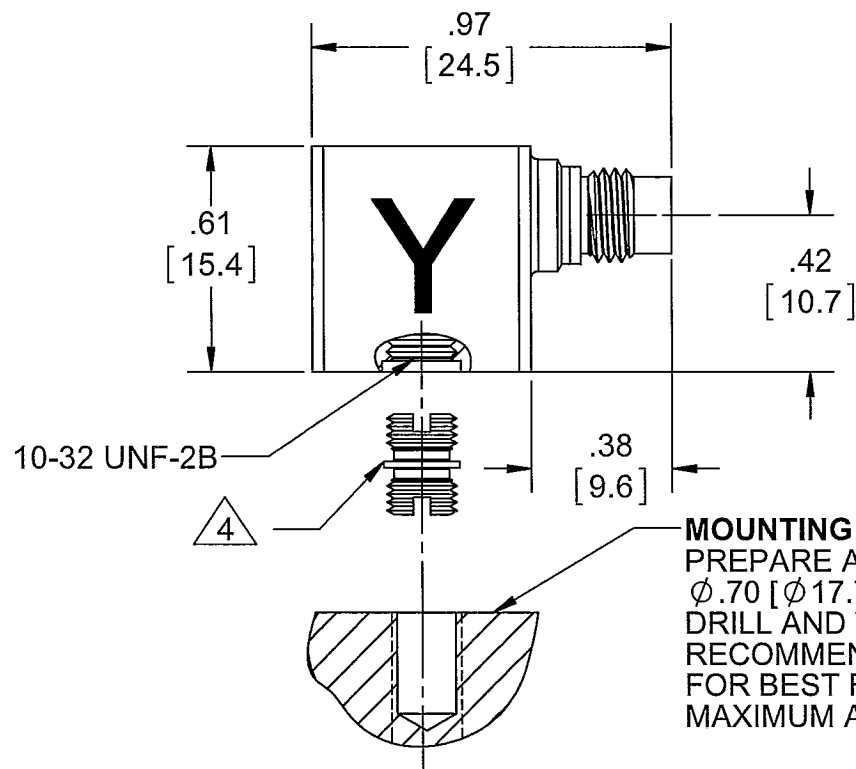
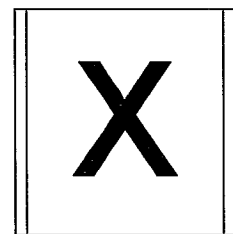
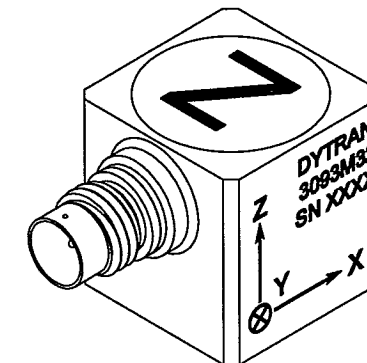
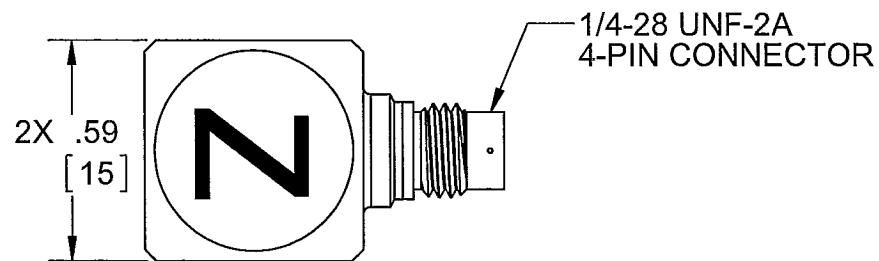


PROPRIETARY AND CONFIDENTIAL

THE INFORMATION CONTAINED IN THIS DRAWING IS THE SOLE PROPERTY OF DYTRAN INSTRUMENTS INC. ANY REPRODUCTION IN PART OR AS A WHOLE WITHOUT THE WRITTEN PERMISSION OF DYTRAN INSTRUMENTS INC. IS PROHIBITED

REVISIONS

REV.	ECN	DESCRIPTION	BY/DATE	CHK	APPR
A	10303	INITIAL RELEASE	AB 08/22/13	LN	PT



MOUNTING RECOMMENDATIONS
 PREPARE A MOUNTING SURFACE
 $\phi .70$ [$\phi 17.78$], FLAT TO .001 TIR,
 DRILL AND TAP 10-32 UNF-2B $\nabla .150$ [$\nabla 3.81$] MIN.
 RECOMMENDED MOUNTING TORQUE 10-12 LB-IN.
 FOR BEST FREQUENCY RESPONSE
 MAXIMUM AREA OF CONTACT REQUIRED

- 4 MOUNTING STUD MODEL 6200 (SUPPLIED)
 - 3. HOUSING/CONNECTOR MATERIAL: TITANIUM ALLOY
 - 2 ARROWS INDICATE DIRECTION OF ACCELERATION FOR POSITIVE OUTPUT.
 - 1. WEIGHT: 10 GRAMS, MAX
- NOTES: UNLESS OTHERWISE SPECIFIED

UNLESS OTHERWISE SPECIFIED: INTERPRET DIM & TOL PER ASME Y14.5M - 1994. REMOVE BURRS. COUNTERSINK INTERNAL THDS 90° TO MAJOR DIA. CHAM EXT THDS 45° TO MINOR DIA. THD LENGTHS AND DEPTHS ARE FOR MIN FULL THDS. DIMENSIONS APPLY AFTER FINISHING.		UNLESS OTHERWISE SPECIFIED: DIMENSIONS ARE IN INCHES. DIMENSIONS IN BRACKETS [] ARE IN MILLIMETERS TOLERANCES ARE:		MASTER ONLY IF IN RED	
DECIMALS .XX ±.03 .XXX ±.010	METRIC .X ± 0.8 .XX ± 0.25	ANGLES ± 1°	APPROVALS		
ORIG	AB	07/19/13	CHK	LN	8/23/13
APP	PT	8/23/13	TITLE: OUTLINE/ INSTALLATION DRAWING MODEL 3093M32		REV A
ALL MACHINED SURFACES. TOTAL RUNOUT WITHIN .005. BREAK SHARP EDGES .005 TO .010. MACHINED FILLET RADII .005 TO .015. WELDING SYMBOLS PER AWS A2.4. ABBREVIATIONS PER MIL-STD-12.		DO NOT SCALE DRAWING		THIRD ANGLE PROJECTION USA	SIZE B
		CAGE CODE 2W033		DWG NO 127-3093M32	SCALE: 4:1
				SHEET 1 OF 1	

MODEL NUMBER 3093M32	PERFORMANCE SPECIFICATION	DOC NO.
		PS3093M32
	Accelerometer, Triaxial, IEPE	REV A, ECN 10303, 08/22/2013



- HERMETICALLY SEALED
- STUD MOUNTED

PHYSICAL

Weight, Max
Connector [1]
Type
Housing
Material
Isolation
Sensing Element
Material
Mode
Mounting Provision

ENGLISH		SI	
0.35	oz	10	grams
4-pin, 1/4-28		4-pin, 1/4-28	
Titanium Alloy		Titanium Alloy	
Titanium Alloy		Titanium Alloy	
Case Isolated		Case Isolated	
Ceramic		Ceramic	
Shear		Shear	
10-32 Stud		10-32 Stud	

PERFORMANCE

Sensitivity, +15-10% [2]
Acceleration Range
Frequency Range, ±5%
Resonance Frequency, Nom.
Linearity [3]
Transverse Sensitivity Max
Noise floor
Spectral Noise
1Hz
10Hz
100Hz
1000Hz
10000Hz

10	mV/g	1	mV/m/s ²
500	Gpeak	4905	m/s ² peak
0.7-5000	Hz	0.7-5000	Hz
30	kHz	30	kHz
1	%F.S.	1	%F.S.
6	%	6	%
0.006	Grms	0.059	m/s ² rms
500	μGrms/sqr(Hz)	4905	μm/s ² rms/sqr(Hz)
80	μGrms/sqr(Hz)	784.8	μm/s ² rms/sqr(Hz)
50	μGrms/sqr(Hz)	490.5	μm/s ² rms/sqr(Hz)
30	μGrms/sqr(Hz)	294.3	μm/s ² rms/sqr(Hz)
15	μGrms/sqr(Hz)	147.15	μm/s ² rms/sqr(Hz)

ELECTRICAL

Supply Current Range [4]
Compliance Voltage Range
Output Impedance, Typ.
Output Bias Voltage
Discharge Time Constant

2 to 20	mA	2 to 20	mA
+18 to +30	VDC	+18 to +30	VDC
100	Ω	100	Ω
11 - 13	VDC	11 - 13	VDC
0.5 to 1.5	sec	0.5 to 1.5	sec

ENVIRONMENTAL

Shock Max
Vibration Max
Operating Temperature
Seal
Magnetic Sensitivity at 100 Gauss
Base Strain Sensitivity
Electrical Isolation

5000	g pk	49050	m/s ²
3000	g pk	29430	m/s ²
-60 to +250	°F	-51 to +121	°C
Hermetic		Hermetic	
0.00007	g/Gauss	0.0006867	m/s ² /Gauss
0.05	g/με	0.4905	m/s ² /με
10	MΩ	10	MΩ

This family also includes:

Model	Sensitivity (mV/g)	Range (Gpeak)	Resolution (Grms)	Oper. Temp(°F)	TC

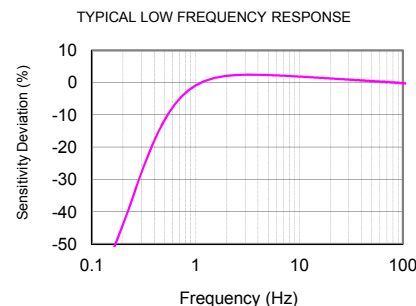
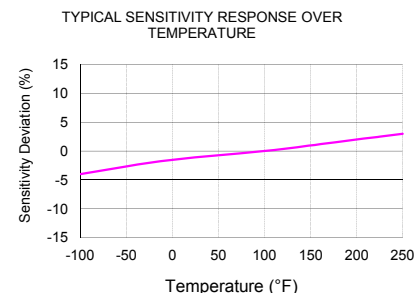
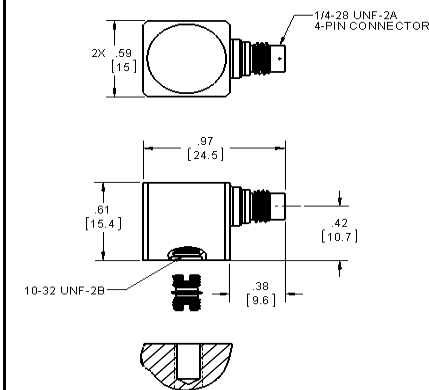
Please, refer to the performance specifications of the products in this family for detailed description

Supplied Accessories:

- 1) Model 6200 Mounting Stud
- 2) Accredited Calibration Certificate (ISO 17025)

Notes:

- [1] Glass to Metal Seal connector. Mates with Dytran cable Model 6811AXX or 6824AXX (XX=length in feet)
- [2] Measured At 100 Hz, 1 Grms per ISA RP 37.2
- [3] Linearity is % of specified full scale (or any less full-scale range), zero-basec best fit straight line method.
- [4] Do not apply power to this device without current limiting, 20mA Max, to do so will destroy the integral IC amplifier



Units on the line drawing are in inches, units in brackets are in millimeters. Refer to 127-3093M32 for more information.



21592 Marilla Street, Chatsworth, California 91311 Phone: 818.700.7818 Fax: 818.700.7880
www.dytran.com For permission to reprint this content, please contact info@dytran.com