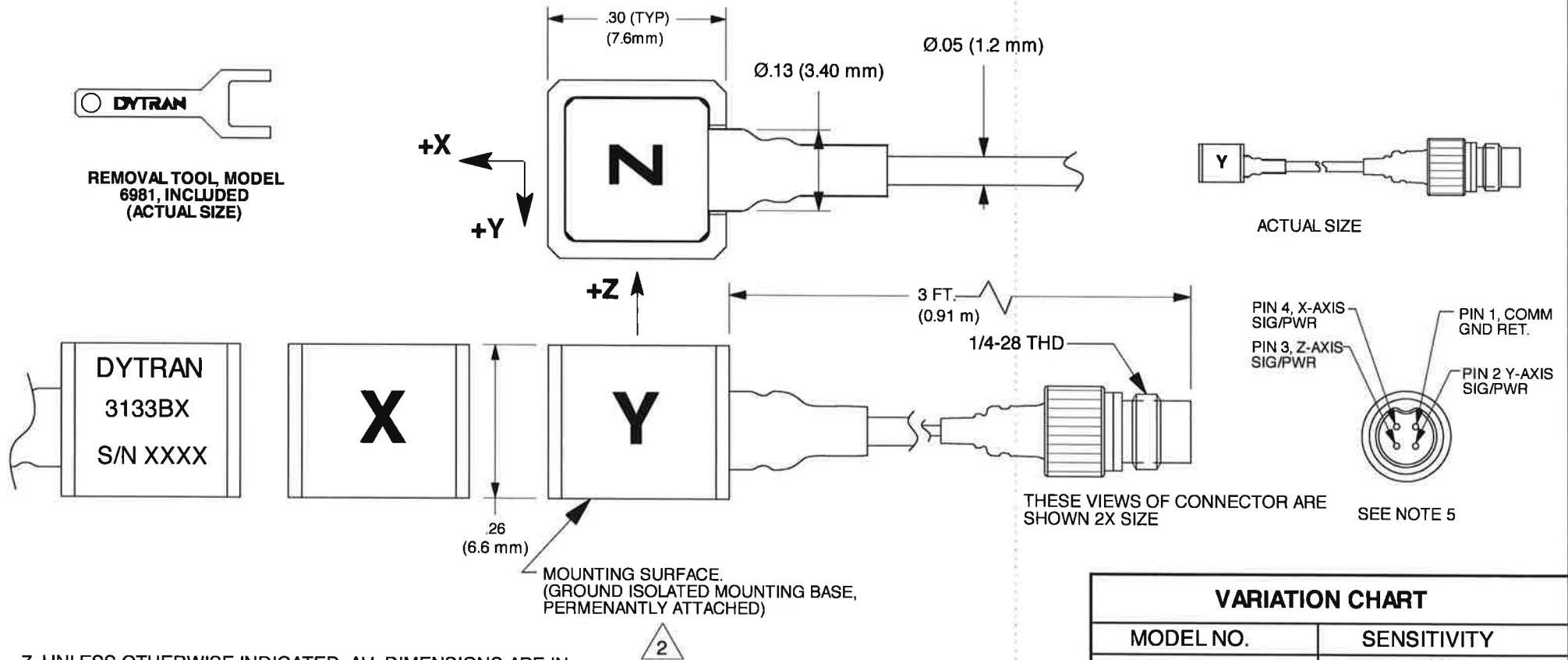


DYTRAN PROPRIETARY AND CONFIDENTIAL
 THE INFORMATION CONTAINED IN THIS DRAWING IS THE SOLE PROPERTY OF
 DYTRAN INSTRUMENTS, INC. AND ANY REPRODUCTION IN PART OR AS A WHOLE
 OR ANY OTHER DISSEMINATION OF THIS INFORMATION WITHOUT THE WRITTEN
 PERMISSION OF DYTRAN INSTRUMENTS, INC. IS PROHIBITED.

REV	ECN	DESCRIPTION	BY/DATE	CHK	APPR
A	9456	INITIAL RELEASE	NC/12-21-12	EP	DV
B	12409	UPDATED VIEW OF CONNECTOR (KNURLING)	JS 12/15/15	LA	AS



7. UNLESS OTHERWISE INDICATED, ALL DIMENSIONS ARE IN INCHES. mm DIMENSIONS ARE INDICATED BY PARENTHESES.

INCHES	METRIC	ANGLES
.XX ±.03	.X ± 0.8	± 1°
.XXX ±.010	.XX ± 0.25	

- MODEL 6298 PETRO MOUNTING WAX IS INCLUDED.
- MATING CABLES ARE MODELS 6824AXX (SANOPRENE), OR 6811AXX, (TEFLON) 4-PIN CONNECTOR TO 3 BNC's. "XX" IS THE CABLE LENGTH IN FEET.
- HOUSING MATERIAL: TITANIUM. GND. ISO BASE: ANODIZED ALUMINUM.
- THE LETTERS "X", "Y", & "Z" INDICATE THE DIRECTION OF ACCELERATION OF EACH AXIS FOR POSITIVE GOING OUTPUT VOLTAGE (AS THE MARKED SURFACE ACCELERATES TOWARD THE VIEWER.) SEE DIRECTIONAL ARROWS ON FACE OF DRAWING.
- FOR BEST FREQUENCY RESPONSE, PREPARE FLAT MOUNTING SURFACE OF AT LEAST .45 DIAMETER, FLAT TO .0001 TIR. APPLY ONE OR TWO DROPS OF CYANOACRYLATE ADHESIVE TO MOUNT THE ACCELEROMETER.
- WEIGHT, LESS CABLE: 0.9 GRAMS.

VARIATION CHART	
MODEL NO.	SENSITIVITY
3133B1	9-14 mV/g
3133B2	2-5 mV/g
3133B3	5-10 mV/g

CHATSORTH, CA.

SCALE 4X	DESIGN N.C.	DATE 12-21-12		
DRAWN N.C.	DATE 5-21-12	PART NO. MODEL 3133B1, B2 & B3		
CHECKED D.V.	DATE 5-21-12	MAT'L		REV B
APPROVED D.V.	DATE 5-21-12	NEXT ASSEMBLY	USED ON 3133B SERIES	
TITLE OUTLINE/INSTALLATION DRAWING, MODEL 3133B1, B2 & B3 GROUND-ISOLATED TRIAXIAL ACCELEROMETERS			DWG NO. 127-3133B	
			SHEET 1 OF 1	



- **ULTRA MINIATURE SIZE**
- **IDEAL LOW FREQUENCY RESPONSE**
- **GROUND ISOLATED**

	ENGLISH		SI	
PHYSICAL				
Weight	0.03	oz	0.8	grams
Mounting	Adhesive		Adhesive	
Integral Cable	Length	3	ft	914
	Type	TFE		mm
Connector	Type	4-pin		
Housing	Material	Titanium		
Isolation Cup	Material	Anodized Al		
Sensing Element	Material	Ceramic		
	Mode	Shear		

PERFORMANCE

Sensitivity [1], [2], ± 20%	5	mV/g	0.50	mV/m/s ²
Acceleration Range	1000	Gpeak	9810	m/s ² peak
Frequency Range, ±5%	0.3 to 6000	Hz	0.3 to 6000	Hz
Frequency Range, ±10%	0.25 to 10000	Hz	0.25 to 10000	Hz
Resonance Frequency	>35	kHz	>35	kHz
Transverse Sensitivity	6	%	6	%
Noise floor	0.06	Grms	0.59	m/s ² rms
Spectral Noise	1Hz	4000	μGrms/sqr(Hz)	39240
	10Hz	2000	μGrms/sqr(Hz)	19620
	100Hz	500	μGrms/sqr(Hz)	4905
	1000Hz	200	μGrms/sqr(Hz)	1962
	10000Hz	90	μGrms/sqr(Hz)	883

ENVIRONMENTAL

Shock	3000	Gpeak	29430	m/s ²
Vibration	900	Gpeak	8829	m/s ²
Operating Temperature	-60 to +250	°F	-51 to 121	°C
Seal	Epoxy		Epoxy	
Magnetic Sensitivity at 100 Gauss	0.00004	g/Gauss	0.00039	m/s ² /Gauss
Base Strain Sensitivity	0.15	g/με	1.47	m/s ² /με

ELECTRICAL

Compliance Voltage	+18 to +30	VDC	+18 to +30	VDC
Current Range	2 to 20	mA	2 to 20	mA
Discharge Time Constant	1.0 to 1.5	seconds	1.0 to 1.5	seconds
Case Isolation, Min	10	GΩ	10.000	GΩ
Bias Voltage	+8 to +10	VDC	+8 to +10	VDC
Output Impedance	100	Ω	100	Ω

This family also includes:

Model	Sensitivity (mV/g)	Range (Gpeak)	Resolution (Grms)	Oper. Temp(°F)	TC
3133B1	10	500	0.02	-60 to 250	1.0 to 1.5
3133B2	2	2500	0.15	-60 to 300	0.3 to 0.5

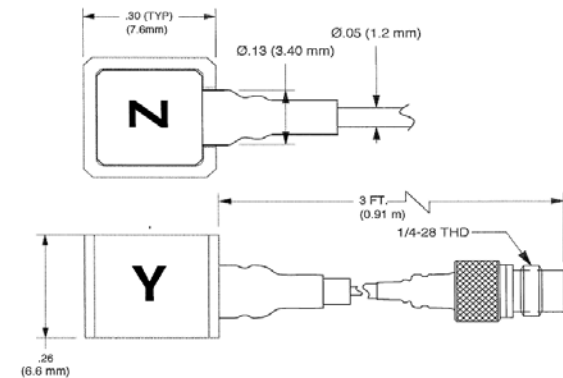
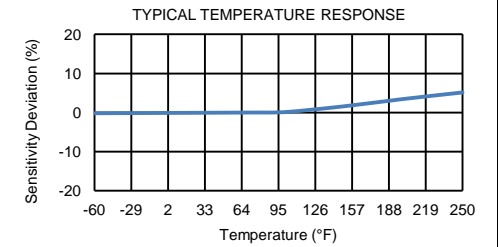
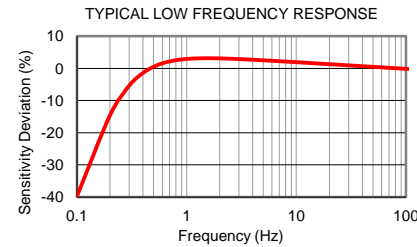
Please, refer to the performance specifications of the products in this family for detailed description

Supplied Accessories:

- 1) Model 6298 small petro wax
- 2) Model 6741 removal tool
- 3) Accredited calibration certificate (ISO 17025)

Notes:

- [1] Measured at 100 Hz, 10 Grms
- [2] Actual sensitivity is given on a calibration certificate
- [3] Do not apply power to this device without current limiting, 20mA max, to do so will destroy the integral IC amplifier



Units on the line drawing are in inches, units in brackets are in millimeters. Refer to 127-3133B for more information

