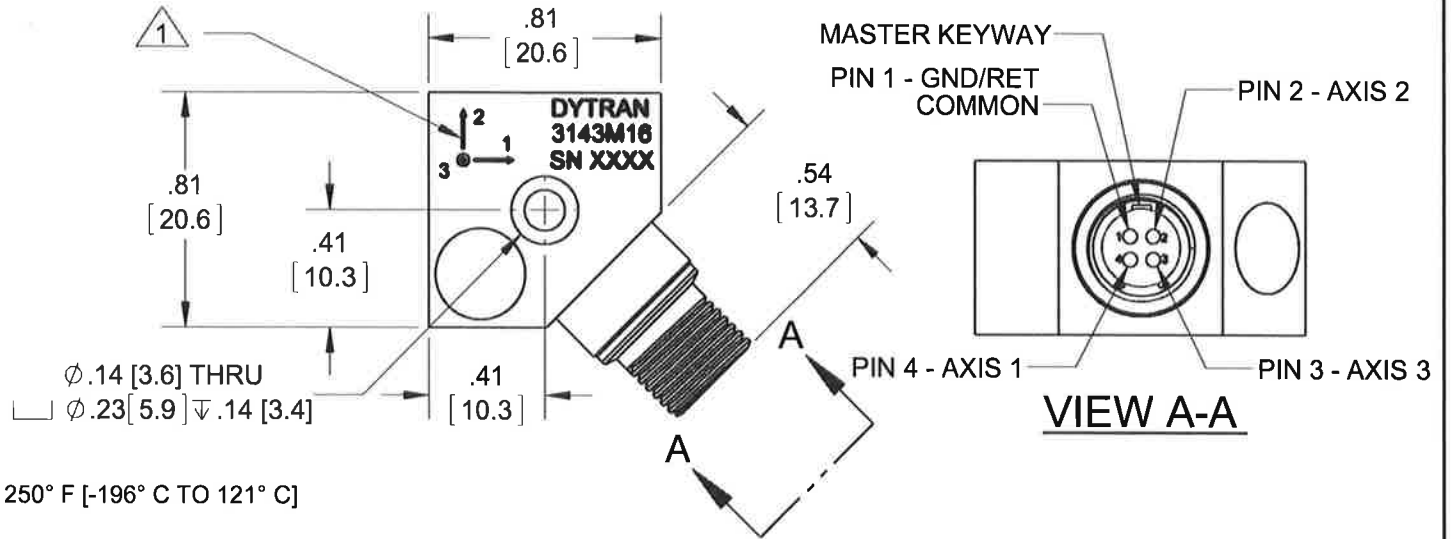
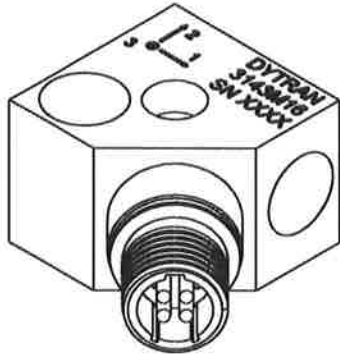


PROPRIETARY AND CONFIDENTIAL

THE INFORMATION CONTAINED IN THIS DRAWING IS THE SOLE PROPERTY OF DYTRAN INSTRUMENTS INC. ANY REPRODUCTION IN PART OR AS A WHOLE WITHOUT THE WRITTEN PERMISSION OF DYTRAN INSTRUMENTS INC. IS PROHIBITED

REVISIONS

REV	ECN	DESCRIPTION	BY/DATE	CHK	APPR
A	9393	INITIAL RELEASE	LN 12/07/12	JS	AS
B	11050	SEE ECN	EC 06/06/14	<i>JS</i>	<i>AS</i>



- 8. OPERATING TEMPERATURE: -320° F TO 250° F [-196° C TO 121° C]
- 7. SENSITIVITY: 10mV/G
- 6. HOUSING AND CONNECTOR MATERIAL
300 SERIES STAINLESS STEEL
- 5. DELETED.
- 4. WEIGHT: 50 GRAMS, MAX.
- 3. MATING CONNECTOR GLENAIR
P/N 800-009-06M6-4SN.
- 2. 800-013-03Z16-4PN CONNECTOR GLASS TO METAL SEAL
1000 VOLTS GALVANIC ISOLATION FROM PIN 1
GND RETURN TO CASE.
- 1. ARROWS INDICATE DIRECTION OF ACCELERATION
FOR POSITIVE OUTPUT ON EACH AXIS

NOTES: UNLESS OTHERWISE SPECIFIED

USED ON	NEXT ASSY	UNLESS OTHERWISE SPECIFIED: INTERPRET DIM & TOL PER ASME Y14.5M - 1994. REMOVE BURRS. COUNTERSINK INTERNAL THDS 90° TO MAJOR DIA. CHAM EXT THDS 45° TO MINOR DIA. THD LENGTHS AND DEPTHS ARE FOR MIN FULL THDS. THDS PER MIL-S-7742. DIMENSIONS APPLY AFTER FINISHING.
APPLICATION		
THIRD ANGLE PROJECTION USA		UNLESS OTHERWISE SPECIFIED: DIMENSIONS ARE IN INCHES. DIMENSIONS IN BRACKETS [] ARE IN MILLIMETERS TOLERANCES ARE: INCHES METRIC ANGLES .XX ± .03 .X ± 0.8 ± 1° .XXX ± .010 .XX ± 0.25
ALL MACHINED SURFACES. TOTAL RUNOUT WITHIN .005. BREAK SHARP EDGES .005 TO .010. MACHINED FILLET RADII .005 TO .015. WELDING SYMBOLS PER AWS A2.4. ABBREVIATIONS PER MIL-STD-12.		

UNLESS OTHERWISE SPECIFIED: DIMENSIONS ARE IN INCHES. DIMENSIONS IN BRACKETS [] ARE IN MILLIMETERS TOLERANCES ARE: INCHES METRIC ANGLES .XX ± .03 .X ± 0.8 ± 1° .XXX ± .010 .XX ± 0.25	
MATERIAL	
FINISH	
DO NOT SCALE DRAWING	

CONTRACT NO.	
APPROVALS	
ORIG	LN
CHK	JS
APP	AS
APP	<i>AS</i>
DATE	
	11/08/12
	01/03/12
	01/03/12

MASTER ONLY IF IN RED

Chatsworth, CA

TITLE: **OUTLINE/INSTALLATION DWG,
TRIAxIAL ACCEL, CRYOGENIC,
MODEL 3143M16**

SIZE	CAGE CODE	DWG. NO.	REV
A	2W033	127-3143M16	B
SCALE: NONE	SOLIDWORKS	SHEET 1 OF 1	

Model Number
3143M16

PERFORMANCE SPECIFICATIONS

DOC NO
PS3143M16

IEPE TRIAXIAL ACCELEROMETER

REV B, ECN 12731, 06/03/16



- HERMETICALLY SEALED
- EXCELLENT LINEARITY
- CRYOGENIC

This family also includes:

Model	Sensitivity (mV/g)	Frequency Response (Hz)	Time Constant (Sec)	Operating Temp (°F)

Refer to the performance specifications of the products in this family for detailed description

Supplied Accessories:

- 1) Accredited calibration certificate (ISO 17025)

Notes:

- [1] Radially Mounted. Mates with Glenair connector P/N 800-009-06M6-4SN
- [2] Measured at 100Hz, 1 Grms per ISA RP 37.2.
- [3] Measured using zero-based straight line method, % of F.S. or any lesser range.
- [5] Do not apply power to this system without current limiting, 20 mA MAX. To do so will destroy the amplifier.
- [6] In the interest of constant product improvement, we reserve the right to change specifications without notice.

PHYSICAL

Weight, Max. Type
Connector [1] Thru Hole
Mounting Provision
Material, Housing/Connector
Sensing Element
Element Style

ENGLISH		SI	
1.75	oz	50	grams
4 - PIN		4 - PIN	
6-32 Mounting Screw		6-32 Mounting Screw	
300 Series S.S.		300 Series S.S.	
Quartz		Quartz	
Planar Shear		Planar Shear	

PERFORMANCE

Sensitivity, ±5% [2]
Range for ± 5 Volts Output
Frequency Response, ±5%
Resonant Frequency
Broad Band Resolution
Linearity [2]
Maximum Transverse sensitivity
Strain Sensitivity @ 250µε

10	mV/g	1	mV/m/s ²
±500	g peak	±4905	m/s ²
1.6 to 5000	Hz	1.6 to 5000	Hz
> 25	kHz	> 25	kHz
0.007	g rms	0.069	m/s ² rms
± 1	% F.S.	± 1	% F.S.
6	%	6	%
0.012	g/µε	0.12	m/s ² /µε

ENVIRONMENTAL

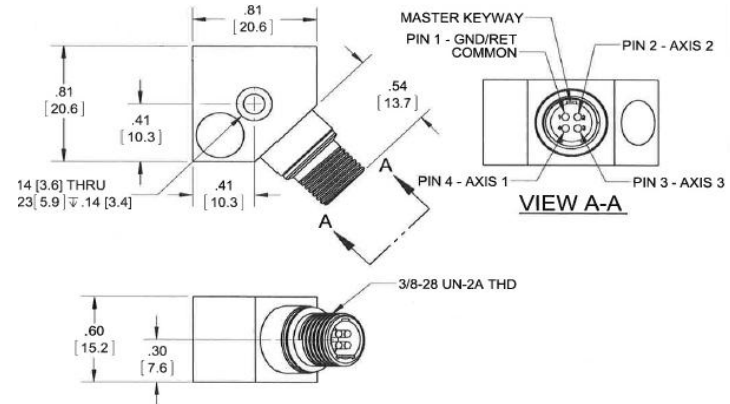
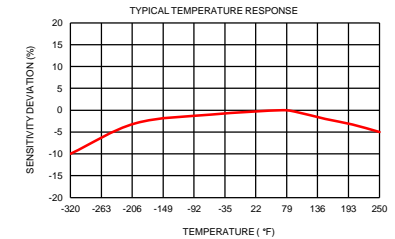
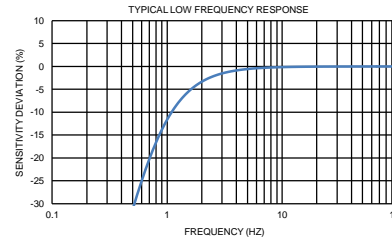
Maximum Vibration
Maximum Shock
Operating Temperature Range
Coefficient of Thermal Sensitivity
Seal

600	g peak	5886	m/s ² peak
3000	g peak	29430	m/s ² peak
-320 to +250	°F	-196 to 121	°C
0.03	%/°F	0.05	%/°C
HERMETIC		HERMETIC	

ELECTRICAL

Supply Current Range [3]
Compliance Voltage Range
Output Impedence, Typ
Bias Voltage
Discharge Time Constant
Electrical Isolation

2 to 20	mA	2 to 20	mA
+18 to +30	Volts	+18 to +30	Volts
100	Ω	100	Ω
+7 to +9	VDC	+7 to +9	VDC
0.3 to 1.0	Sec	0.3 to 1.0	Sec
10	GΩ,min	10	GΩ,min



Units on the line drawing are in inches, units in brackets are in millimeters. Refer to 127-3143M16 for more information.



21592 Marilla Street, Chatsworth, California 91311 Phone: 818.700.7818 Fax: 818.700.7880 www.dytran.com
For permission to reprint this content, please contact info@dytran.com