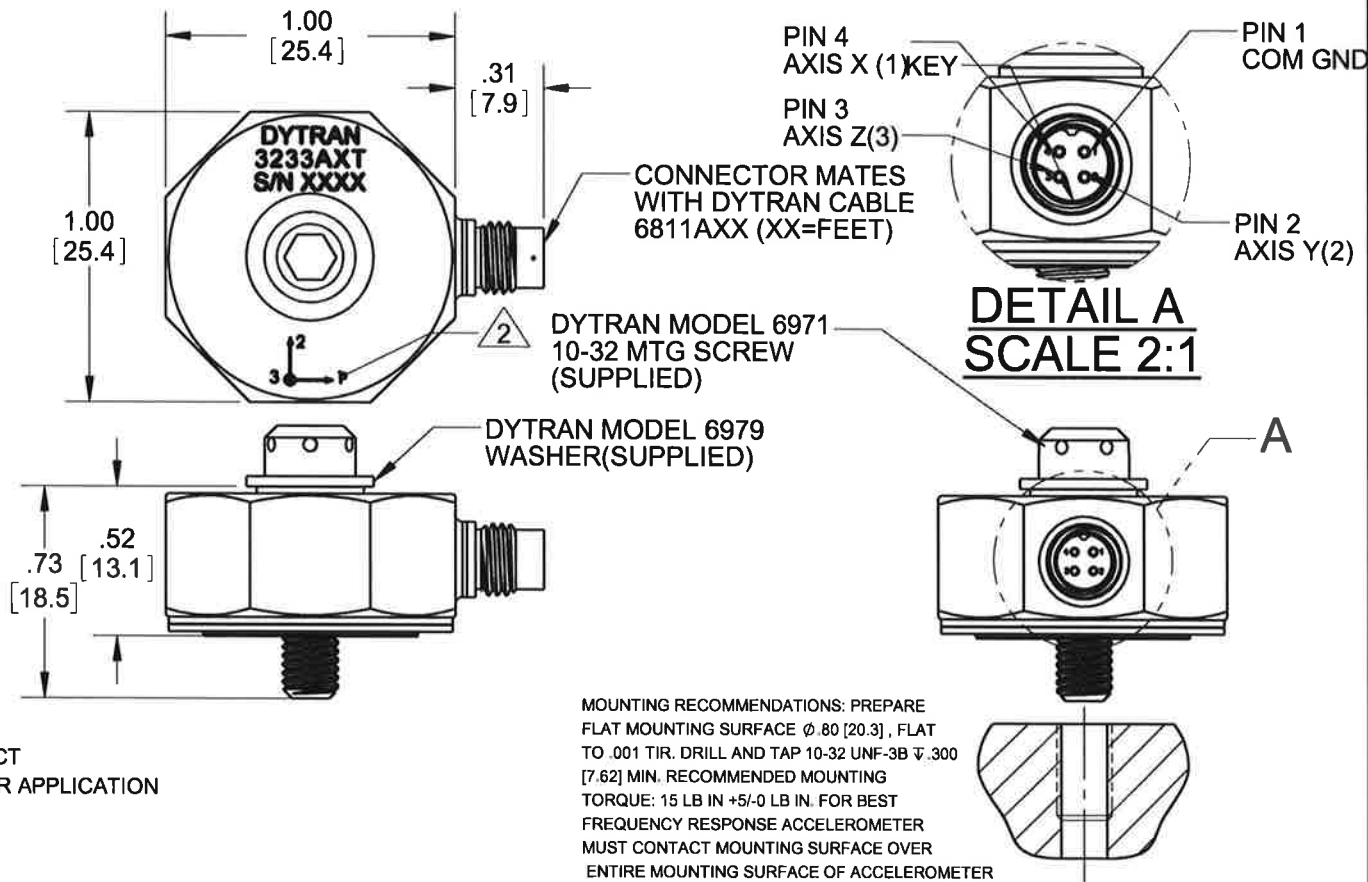


PROPRIETARY AND CONFIDENTIAL

THE INFORMATION CONTAINED IN THIS DRAWING IS THE SOLE PROPERTY OF DYTRAN INSTRUMENTS INC. ANY REPRODUCTION IN PART OR AS A WHOLE WITHOUT THE WRITTEN PERMISSION OF DYTRAN INSTRUMENTS INC. IS PROHIBITED

REVISIONS				
REV	ECN	DESCRIPTION	BY/DATE	CHK APPR
D	12604	ADDED NOTE 4	JS 04/05/13	LA LW

MODEL	SENSITIVITY
3233A2T	5mV/g
3233A3T	1mV/g
3233A4T	25mV/g
3233A5T	10mV/g



4. MINOR VOIDS, SCARS, SCRATCHES AND MOUNTING BLEMISH/WITNESS MARKS ON EXTERIOR SURFACES ARE ALLOWED DUE TO RESTRAINING AND HANDLING DURING TESTING, TRANSPORT OR PROCESSING. THESE APPEAR AS INDICATORS THAT DO NOT AFFECT FORM, FIT OR FUNCTION AS INTENDED BY DESIGN OR APPLICATION
3. WEIGHT: 30 GRAMS MAX

ARROWS INDICATE DIRECTION OF ACCELERATION FOR POSITIVE OUTPUT.

1. MATERIAL: TITANIUM ALLOY
 NOTES: UNLESS OTHERWISE SPECIFIED

USED ON	NEXT ASSY	UNLESS OTHERWISE SPECIFIED: INTERPRET DIM & TOL PER ASME Y14.5M - 1994. REMOVE BURRS. COUNTERSINK INTERNAL THDS 90° TO MAJOR DIA. CHAM EXT THDS 45° TO MINOR DIA. THD LENGTHS AND DEPTHS ARE FOR MIN FULL THDS. THDS PER MIL-S-7742. DIMENSIONS APPLY AFTER FINISHING.	UNLESS OTHERWISE SPECIFIED: DIMENSIONS ARE IN INCHES. DIMENSIONS IN BRACKETS [] ARE IN MILLIMETERS TOLERANCES ARE: INCHES METRIC ANGLES .XX ± .03 X ± 0.8 ± 1° .XXX ± .010 .XX ± 0.25
APPLICATION			
THIRD ANGLE PROJECTION USA		ALL MACHINED SURFACES. TOTAL RUNOUT WITHIN .005. BREAK SHARP EDGES .005 TO .010. MACHINED FILLET RADII .005 TO .015. WELDING SYMBOLS PER AWS A2.4. ABBREVIATIONS PER MIL-STD-12.	MATERIAL FINISH DO NOT SCALE DRAWING

CONTRACT NO.	
APPROVALS	DATE
ORIG RA	06/14/13
CHK EM	06/30/13
APP RT	08/02/13
APP DV	10/01/14

DYTRAN INSTRUMENTS, INC. Chatsworth, CA

MASTER COPY IS IN RED

TITLE: **OUTLINE/INSTALLATION DRAWING, 3233A2T**

SIZE A	CAGE CODE 2W033	DWG. NO. 127-3233A2T	REV D
SCALE: NONE		SOLIDWORKS	SHEET 1 OF 1

MODEL NUMBER 3233A4T	PERFORMANCE SPECIFICATION	DOC NO. PS3233A4T
	ACCELEROMETER, TRIAXIAL, IEPE	REV C, ECN 12219, 09/08/15



- **TEDS CAPABILITY**
- **HERMETICALLY SEALED**
- **CASE ISOLATION**
- **10-32 MOUNTING PROVISION**

	ENGLISH		SI	
PHYSICAL				
Weight, Max	1.05	oz	30	grams
Mounting	10-32 Screw		10-32 Screw	
Connector Type [1]	4-PIN		4-PIN	
Material, Case/ Connector	Titanium Alloy		Titanium Alloy	
PERFORMANCE				
Sensitivity, +/-10% [2]	25	mV/g	2.5	mV/m/s ²
Range, Full Scale (Each Axis)	200	Gpeak	1962	m/s ² peak
Frequency Range Axis 1 & 2, ±10%	.4 to 3000	Hz	.4 to 3000	Hz
Frequency Range Axis 3, ± 10%	.4 to 6000	Hz	.4 to 6000	Hz
Element Natural Frequency	>20	kHz	>20	kHz
Equivalent Electrical Noise	0.002	g rms	0.02	m/s ² rms
Linearity [3]	±1	%F.S.	±1	%F.S.
Transverse Sensitivity Max	6	%	6	%
ENVIRONMENTAL				
Shock Max	5000	g pk	49050	m/s ²
Vibration Max	3000	g pk	29430	m/s ²
Operating Temperature	-60 to +302	°F	-51 to +150	°C
TEDS Operating Temperature	-40 to +185	°F	-40 to +85	°C
Seal	Hermetic		Hermetic	
ELECTRICAL				
Supply Current Range [4]	2 to 20	mA	2 to 20	mA
Compliance Voltage Range (Each Axis)	+18 to +30	VDC	+18 to +30	VDC
Output Impedance, Typ.	100	Ω	100	Ω
Output Bias Voltage	+7.5 to +9.5	VDC	+7.5 to +9.5	VDC
Discharge Time Constant	1.0 to 2.0	Sec	1.0 to 2.0	sec
Ground Isolation, Min.	10	MΩ	10	MΩ
TEDS Feature	IEEE 1451.4		IEEE 1451.4	

This family also includes:

Model	Sensitivity (mV/g)	Range (Gpeak)	Resolution (Grms)	Oper. Temp(°F)	TC
3233A2T	5	1000	0.01	-60 to 302	1 to 2
3233A3T	1	5000	0.04	-60 to 302	1 to 2
3233A5T	10	500	0.005	-60 to 302	1 to 2

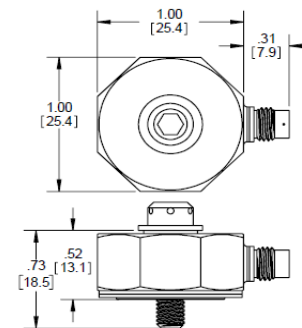
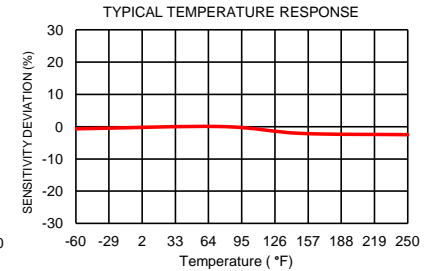
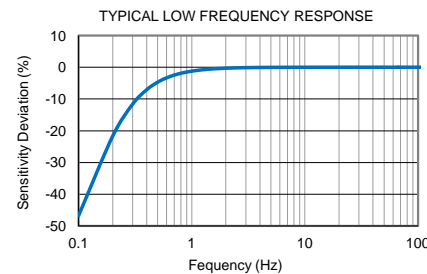
Refer to the performance specifications of the products in this family for detailed description.

Supplied Accessories:

- 1) Accredited Calibration Certificate (ISO 17025)
- 2) Washer 6979 and Mounting Screw 6971

Notes:

- [1] Connector mates with Dytran Cable Assy. Model 6811 AXX. (XX = Length in feet)
- [2] Measured At 100 Hz, 1 Grms per ISA RP 37.2
- [3] Measured using zero-based best straight-line method, % of F.S. or any lesser range.
- [4] Do not apply power to this device without current limiting, 20mA Max, to do so will destroy the integral IC amplifier
- [5] Case grounded to signal, ground case isolated from mounting surface
- [6] In the Interest of constant product improvement, we reserve the right to change specifications without notice.



Units on the line drawing are in inches, units in brackets are in millimeters. Refer to 127-3233A2T for more information.



21592 Marilla Street, Chatsworth, California 91311 Phone: 818.700.7818 Fax:818.700.7880
www.dytran.com For permission to reprint this content, please contact info@dytran.com