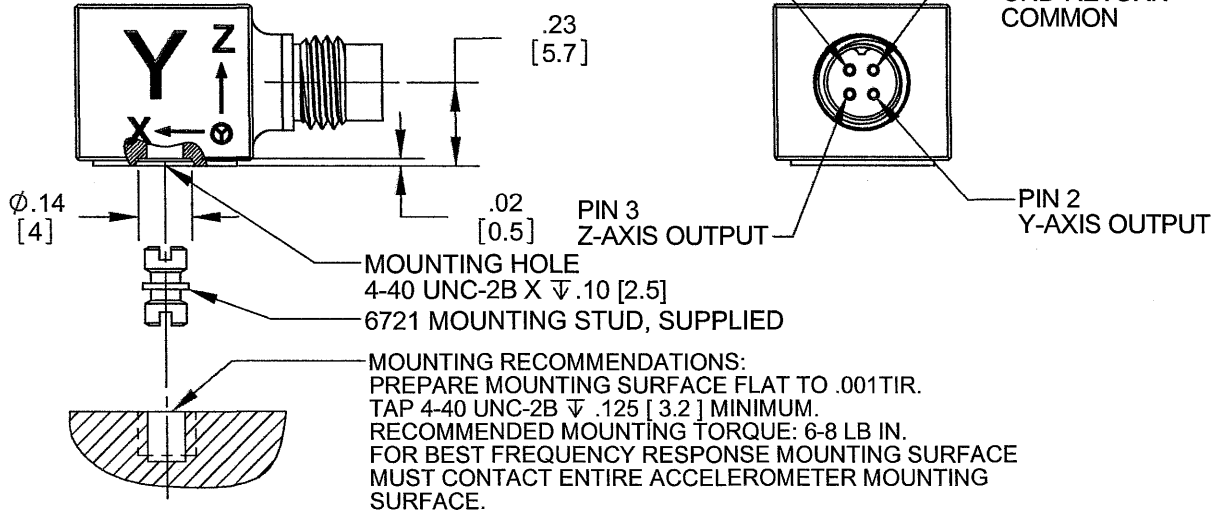
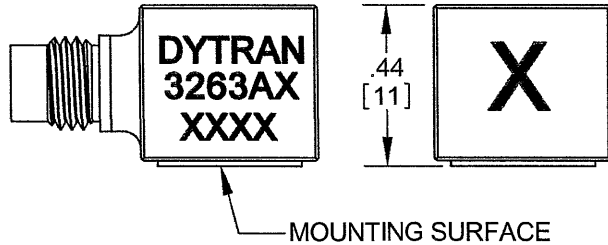
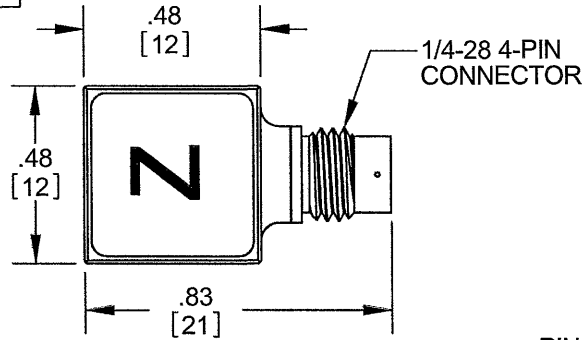


PROPRIETARY AND CONFIDENTIAL

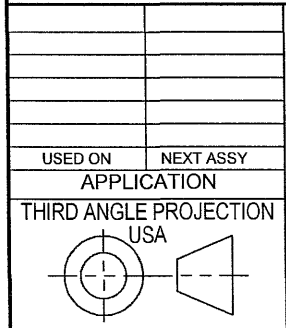
THE INFORMATION CONTAINED IN THIS DRAWING IS THE SOLE PROPERTY OF DYTRAN INSTRUMENTS INC. ANY REPRODUCTION IN PART OR AS A WHOLE WITHOUT THE WRITTEN PERMISSION OF DYTRAN INSTRUMENTS INC. IS PROHIBITED

| REVISIONS | | | | |
|-----------|------|--|----------------|------------------------|
| REV. | ECN | DESCRIPTION | BY/DATE | CHK/ APPR |
| B | 8131 | ADDED: 3263A2 & A3, NOTE 3 IS: ...MAX WAS:... NOMINAL | JS 12/14/11 | <i>[Signature]</i> ANS |

| MODEL | SENSITIVITY |
|--------|-------------|
| 3263A1 | 10 mV/g |
| 3263A2 | 100 mV/g |
| 3263A3 | 50 mV/g |



4. MATES WITH DYTRAN MODEL 6811AXX (XX = LENGTH IN FEET)
 3. WEIGHT: 5.6 GRAMS MAX
 2. ARROWS INDICATE ACCELERATION DIRECTION FOR POSITIVE OUTPUT.
 1. HOUSING MATERIAL: TITANIUM ALLOY
- NOTES: UNLESS OTHERWISE SPECIFIED.



UNLESS OTHERWISE SPECIFIED:
 INTERPRET DIM & TOL PER ASME Y14.5M - 1994.
 REMOVE BURRS.
 COUNTERSINK INTERNAL THDS 90° TO MAJOR DIA.
 CHAM EXT THDS 45° TO MINOR DIA.
 THD LENGTHS AND DEPTHS ARE FOR MIN FULL THDS.
 THDS PER MIL-S-7742.
 DIMENSIONS APPLY AFTER FINISHING.
 ALL MACHINED SURFACES. TOTAL RUNOUT WITHIN .005.
 BREAK SHARP EDGES .005 TO .010.
 MACHINED FILLET RADII .005 TO .015.
 WELDING SYMBOLS PER AWS A2.4.
 ABBREVIATIONS PER MIL-STD-12.

UNLESS OTHERWISE SPECIFIED:
 DIMENSIONS ARE IN INCHES. DIMENSIONS IN BRACKETS [] ARE IN MILLIMETERS
 TOLERANCES ARE:
 INCHES METRIC ANGLES
 .XX ± .03 .X ± 0.8 ± 1°
 .XXX ± .010 .XX ± 0.25

MATERIAL _____

FINISH _____

DO NOT SCALE DRAWING

CONTRACT NO. _____

| APPROVALS | | DATE |
|-----------|----|----------|
| ORIG | RA | 9/9/06 |
| CHK | JS | 09/09/11 |
| APP | DV | 09/27/11 |
| APP | | |

DYTRAN INSTRUMENTS, INC. Chatsworth, CA

MASTER ONLY IF IN RED

TITLE:
**OUTLINE/INSTALLATION DRAWING,
 MODEL 3263A SERIES
 ACCELEROMETER**

| | | | |
|----------|--------------|-------------------|----------|
| SIZE | CAGE CODE | DWG. NO. | REV |
| A | 2W033 | 127-3263A3 | B |

SCALE: NONE SOLIDWORKS SHEET 1 OF 1

MODEL NUMBER
3263A1

PERFORMANCE SPECIFICATION

DOC NO.
PS3263A1

TRIAxIAL ACCELEROMETER, IEPE

REV H, ECN 13984, 02/05/18



ACTUAL SIZE

- TRIAXIAL ACCELEROMETER
- HIGH SENSITIVITY
- MINATURE SIZE

This family also includes:

| Model | Sensitivity (mV/g) | Range (Gpeak) | Resolution (Grms) | Oper. Temp(*F) | TC |
|--------|--------------------|---------------|-------------------|----------------|------------|
| 3263A2 | 100 | 50 | 0.0008 | -60 to +225 | 1.0 to 2.0 |
| 3263A3 | 50 | 100 | 0.0016 | -60 to +225 | 1.0 to 2.0 |

Please, refer to the performance specifications of the products in this family for detailed description.

SUPPLIED ACCESSORIES

a) Model 6721 mounted stud 4-40 to 4-40.

Notes:

- [1] Connector mates with Dytran cable assembly Model 6811AXX (XX= length in feet)
- [2] Measured at 100 Hz, 1 grms per ISA RP 37.2.
- [3] Measured using zero-based best straight-line method, % of F.S. or any lesser range.
- [4] Do not apply power to this device without current limiting, 20 mA MAX. To do so will destroy the integral IC amplifier.

[5] In the interest of constant product improvement, we reserve the right to change specifications without notice.

PHYSICAL

| | ENGLISH | | SI | |
|---------------------------|-------------|----------|-------------|-------|
| Weight, Max. | 0.2 | oz | 5.6 | grams |
| Mounting, Integral Thread | 4-40 UNC-2B | | 4-40 UNC-2B | |
| Connector [1] | 4 PIN | Type | 4 PIN | |
| Material Body | Titanium | Material | Titanium | |
| Sensing Element | Ceramic | Material | Ceramic | |
| | Shear | Mode | Shear | |

PERFORMANCE

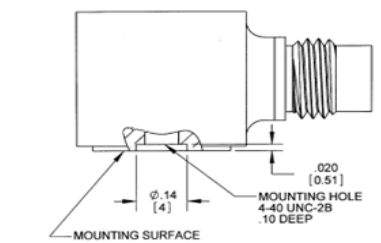
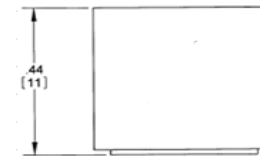
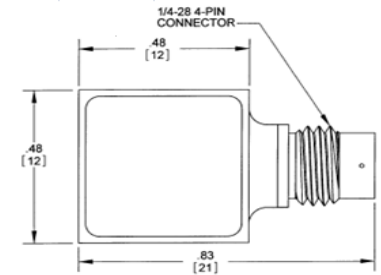
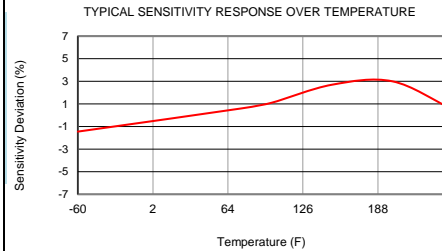
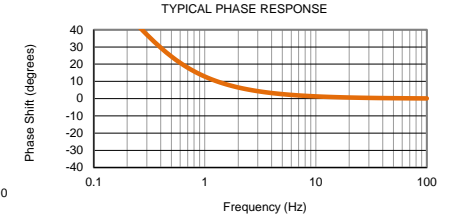
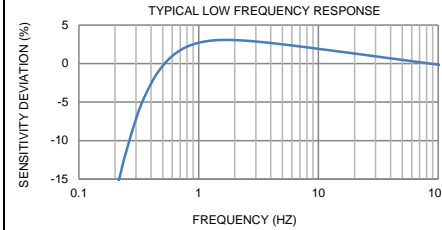
| | ENGLISH | | SI | | |
|------------------------------------|--------------|-------|--------------|----------------------|-----------------------------|
| Sensitivity +/- 10% [2] | 10 | mV/g | 1.02 | mV/ m/s ² | |
| Range F.S. For ± 5 Volts Output | ± 500 | g | ± 4900 | m/s ² | |
| Frequency Response, - 10% to + 15% | 0.3 to 10000 | Hz | 0.3 to 10000 | Hz | |
| Resonant Frequency | >40 | KHz | >40 | KHz | |
| Phase Response, ± 5° | 2 to 3000 | Hz | 2 to 3000 | Hz | |
| Linearity, Max [3] | ± 1% | %F.S | ± 1% | %F.S | |
| Transverse Sensitivity, Max. | 6% | | 6% | | |
| Equivalent Electrical Noise Floor | 0.008 | g rms | 0.08 | m/s ² rms | |
| Spectral Noise | 1Hz | 1000 | μGrms/√(Hz) | 9810 | μm/s ² rms/√(Hz) |
| | 10Hz | 500 | μGrms/√(Hz) | 4905 | μm/s ² rms/√(Hz) |
| | 100Hz | 100 | μGrms/√(Hz) | 981 | μm/s ² rms/√(Hz) |
| | 1000Hz | 90 | μGrms/√(Hz) | 883 | μm/s ² rms/√(Hz) |
| | 10000Hz | 50 | μGrms/√(Hz) | 491 | μm/s ² rms/√(Hz) |

ENVIRONMENTAL

| | ENGLISH | | SI | |
|-------------------|-------------|------|------------|-----------------------|
| Maximum Vibration | 600 | ±gpk | 5886 | ± m/s ² pk |
| Maximum Shock | 5000 | ±gpk | 49050 | ± m/s ² pk |
| Temperature Range | -60 to +250 | °F | -51 to 121 | °C |
| Seal | Hermetic | | Hermetic | |

ELECTRICAL

| | ENGLISH | | SI | |
|--------------------------|------------|-----|------------|-----|
| Supply Current [4] | 2 to 20 | mA | 2 to 20 | mA |
| Compliance Voltage Range | +18 to +30 | V | +18 to +30 | V |
| Output Impedance TYP | 100 | Ω | 100 | Ω |
| Bias Voltage | +11 to +13 | VDC | +11 to +13 | VDC |
| Discharge Time Constant | 1.0 to 2.0 | sec | 1.0 to 2.0 | sec |



Units on the line drawing are in inches, units in brackets are in millimeters. Refer to 127-3263A3 for more information.



21592 Marilla Street, Chatsworth, California 91311 Phone: 818.700.7818 Fax:818.700.7880 www.dytran.com
For permission to reprint this content, please contact info@dytran.com