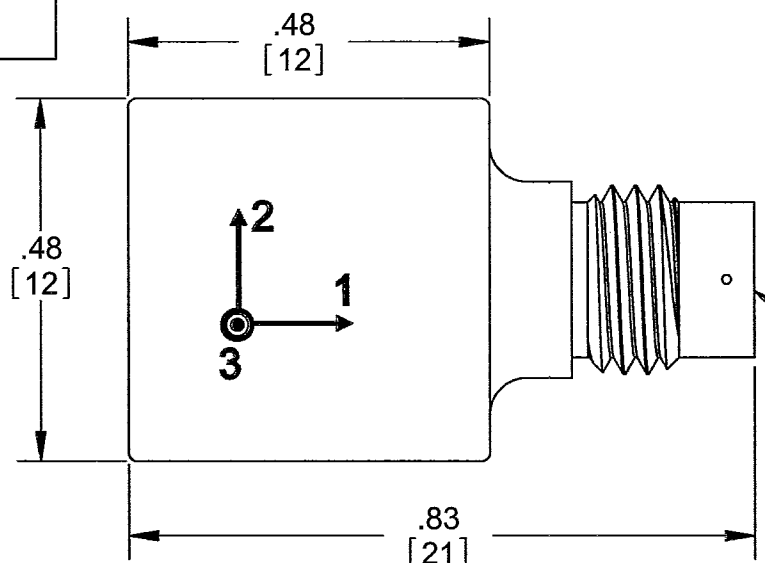


PROPRIETARY AND CONFIDENTIAL

THE INFORMATION CONTAINED IN THIS DRAWING IS THE SOLE PROPERTY OF DYTRAN INSTRUMENTS INC. ANY REPRODUCTION IN PART OR AS A WHOLE WITHOUT THE WRITTEN PERMISSION OF DYTRAN INSTRUMENTS INC. IS PROHIBITED

REVISIONS

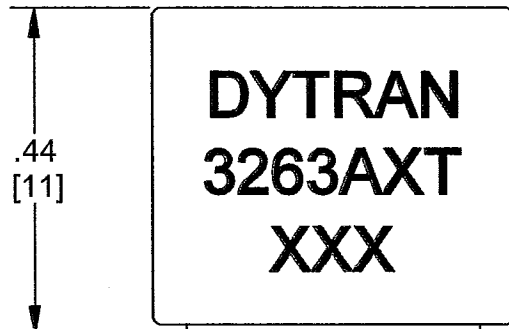
REV.	ECN	DESCRIPTION	BY/DATE	CHK	APPR
A	4631	ADD: 3263A3T TO NOTE 4	R.L.A. 5/4/07	CES	CES
B	9338	UPDATED FORMAT, ZONE B3: ADDED MOUNTING STUD 6721 ZONE B3 ADDED MOUNTING NOTE ZONE C4 DIMENSION .44[11] WAS: .44 [11mm] DELETED NOTE 6	RA, 11/14/12	EM 11/16/12	JW



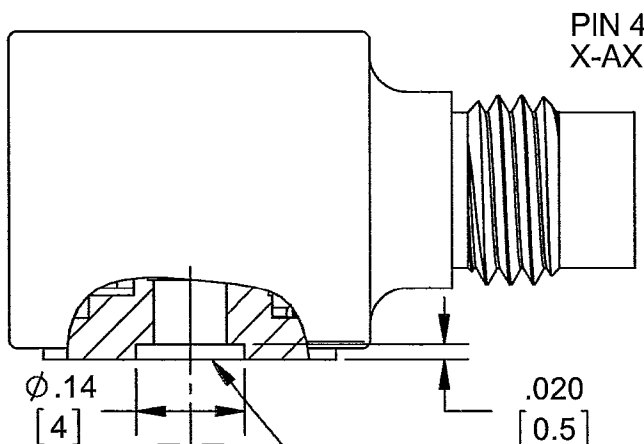
1/4-28 4-PIN CONNECTOR

KEY

PIN 1
GND RETURN
COMMON



MOUNTING SURFACE



PIN 4
X-AXIS OUTPUT

PIN 3
Z-AXIS OUTPUT

PIN 2
Y-AXIS OUTPUT

MOUNTING HOLE 4-40 UNC-2B X ∇ .10[2.5]

6721 MOUNTING STUD, SUPPLIED

MOUNTING RECOMMENDATIONS:
 PREPARE MOUNTING SURFACE FLAT TO .001TIR.
 TAP 4-40 UNC-2B ∇ .125 [3.2] MINIMUM.
 RECOMMENDED MOUNTING TORQUE: 6-8 LB IN.
 FOR BEST FREQUENCY RESPONSE MOUNTING SURFACE
 MUST CONTACT ENTIRE ACCELEROMETER MOUNTING
 SURFACE.

- 6. DELETED
- 5. EACH AXIS INCLUDES TEDS
- 4. SENSITIVITY:
 3263A1T: 10mV/g
 3263A2T: 100 mV/g
 3263A3T: 50mV/g
- 3. WEIGHT: 5.6 GRAMS NOMINAL

ARROWS INDICATES ACCELERATION DIRECTION FOR POSITIVE OUTPUT.

1. HOUSING MATERIAL: TITANIUM ALLOY
NOTES: UNLESS OTHERWISE SPECIFIED

UNLESS OTHERWISE SPECIFIED:
 INTERPRET DIM & TOL PER
 ASME Y14.5M - 1994.
 REMOVE BURRS.
 COUNTERSINK INTERNAL THDS
 90° TO MAJOR DIA.
 CHAM EXT THDS 45° TO MINOR DIA.
 THD LENGTHS AND DEPTHS ARE FOR
 MIN FULL THDS.
 DIMENSIONS APPLY AFTER FINISHING.

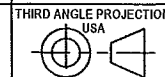
ALL MACHINED SURFACES.
 TOTAL RUNOUT WITHIN .005.
 BREAK SHARP EDGES .005 TO .010.
 MACHINED FILLET RADII .005 TO .015.
 WELDING SYMBOLS PER AWS A2.4.
 ABBREVIATIONS PER MIL-STD-12.

UNLESS OTHERWISE SPECIFIED:
 DIMENSIONS ARE IN INCHES.
 DIMENSIONS IN BRACKETS [] ARE IN
 MILLIMETERS TOLERANCES ARE:

DECIMALS	METRIC	ANGLES
.XX ±.03	X ± 0.8	±1°
.XXX ±.010	.XX ±0.25	

APPROVALS		DATE
ORIG	PML	09/09/06
CHK	PML	05/11/06
APP	CES	05/04/07

DO NOT SCALE DRAWING



TITLE: **OUTLINE/INSTALLATION
DRAWING, MODEL 3263AT
ACCELEROMETER**

SIZE B	CAGE CODE 2W033	DWG NO 127-3263AT	REV B
------------------	---------------------------	-----------------------------	-----------------

SCALE: 2:1 SHEET 1 OF 1

MODEL NUMBER
3263A1T

PERFORMANCE SPECIFICATION

DOC NO.
PS3263A1T

TRIAxIAL ACCELEROMETER, IEPE

REV B, ECN 12927, 08/29/16



- **TRIAxIAL ACCELEROMETER**
- **WITH TEDS FUNCTION**
- **HERMETICALLY SEALED**

PHYSICAL

Weight, Max
Mounting, Integral Thread
Connector [1]
Material Body
Sensing Element

Type
Material
Material
Mode

ENGLISH		SI	
0.20	oz	5.6	grams
4-40 UNC-2B		4-40 UNC-2B	
4 PIN		4 PIN	
Titanium		Titanium	
Ceramic		Ceramic	
Shear		Shear	

PERFORMANCE

Sensitivity +/- 10% [2]
Range F.S. For ± 5 Volts Output
Frequency Range, -5% / +15%
Resonant Frequency
Linearity Max. [3]
Transverse Sensitivity, Max.
Equivalent Electrical Noise Floor,
25Hz-25kHz
1Hz-10kHz

g rms
g rms

10	mV/g	1.0	mV / m/s ²
± 500	g	± 4900	m/s ²
1.5 to 10000	Hz	1.5 to 10000	Hz
>40	KHz	>40	KHz
± 1%	%F.S	± 1%	%F.S
6%		6%	
0.0008	g rms	0.008	m/s ² rms
0.001	g rms	0.01	m/s ² rms

ENVIRONMENTAL

Maximum Vibration
Maximum Shock
Temperature Range
TEDs Operating Temperature Range
Seal

600	±gpk	5886	± m/s ² pk
5000	±gpk	49050	± m/s ² pk
-60 to +250	°F	-51 to 121	°C
-60 to +180	°F	-51 to 82	°C
Hermetic		Hermetic	

ELECTRICAL

Supply Current [4]
Compliance Voltage Range
Output Impedance, Typ.
Bias Voltage
Discharge Time Constant
Ground Isolation
IEPE Sensor with TEDS feature

2 to 20	mA	2 to 20	mA
+18 to +30	V	+18 to +30	V
150	Ω	150	Ω
+11 to +13	VDC	+11 to +13	VDC
0.3 to 1.0	sec	0.3 to 1.0	sec
Case Grounded		Case Grounded	
IEEE 1451.4		IEEE 1451.4	

This family also includes:

Model	Sensitivity (mV/g)	Range (Gpeak)	Resolution (Grms)	Oper. Temp(°F)	TC
3263A2T	100	50	0.0004	-60 to +225	1.2 to 2.2
3263A3T	50	100	0.001	-60 to +225	0.3 to 1.0

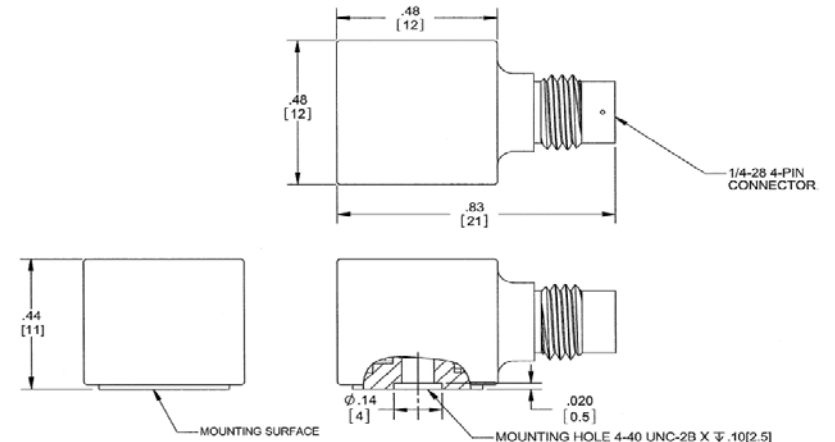
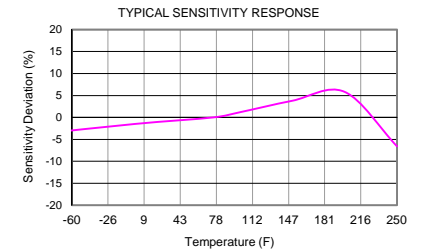
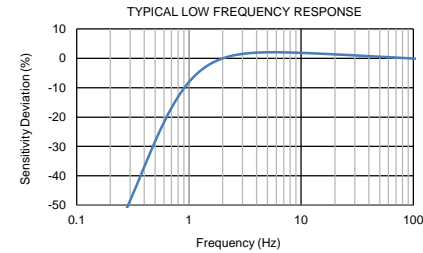
Please, refer to the performance specifications of the products in this family for detailed description.

SUPPLIED ACCESSORIES

a) Model 6721 Mounted Stud, 4-40 UNC-2A to 4-40 UNC-2A

Notes:

- [1] Connector mates with Dytran cable assembly Model 6811Axx (xx= length in feet)
- [2] Measured at 100 Hz, 1 grms per ISA RP 37.2.
- [3] Measured using zero-based best straight-line method, % of F.S. or any lesser range.
- [4] Do not apply power to this device without current limiting, 20 mA MAX. To do so will destroy the integral IC amplifier.
- [5] In the interest of constant product improvement, we reserve the right to change specifications without notice.



Units on the line drawing are in inches, units in brackets are in millimeters. Refer to 127-3263AT for more information.



21592 Marilla Street, Chatsworth, California 91311 Phone: 818.700.7818 Fax: 818.700.7880 www.dytran.com For permission to reprint this content, please contact info@dytran.com