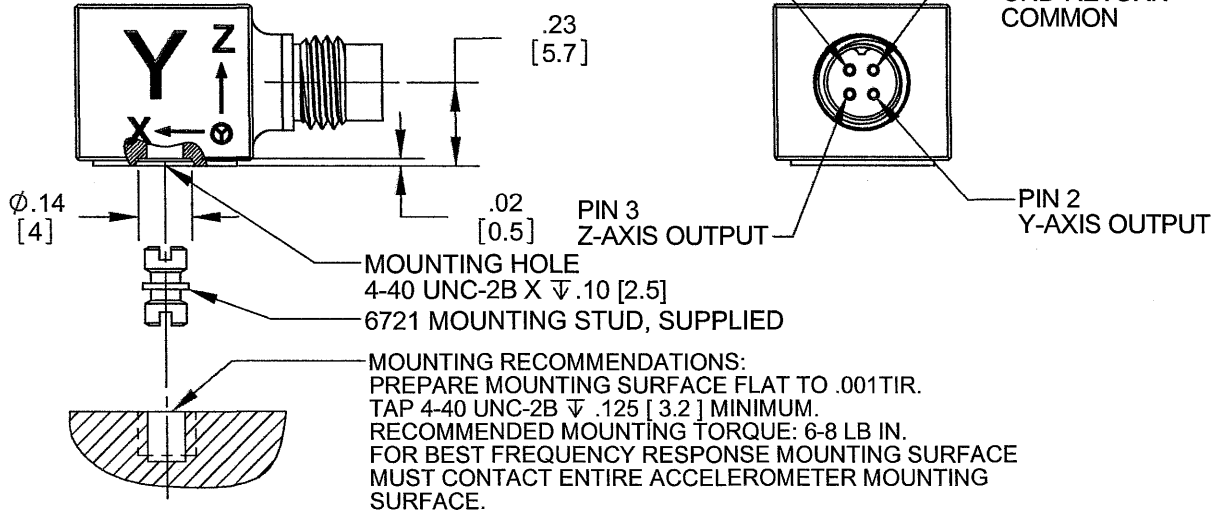
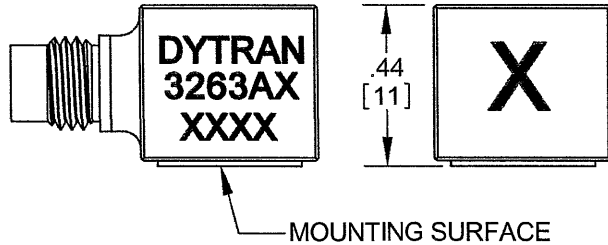
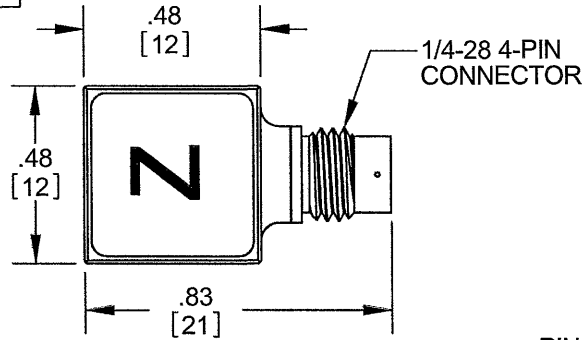


PROPRIETARY AND CONFIDENTIAL

THE INFORMATION CONTAINED IN THIS DRAWING IS THE SOLE PROPERTY OF DYTRAN INSTRUMENTS INC. ANY REPRODUCTION IN PART OR AS A WHOLE WITHOUT THE WRITTEN PERMISSION OF DYTRAN INSTRUMENTS INC. IS PROHIBITED

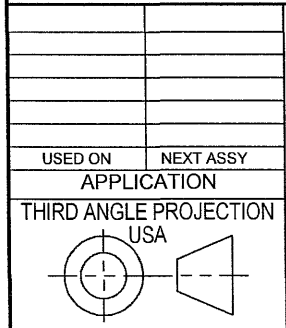
REVISIONS				
REV.	ECN	DESCRIPTION	BY/DATE	CHK/ APPR
B	8131	ADDED: 3263A2 & A3, NOTE 3 IS: ...MAX WAS:... NOMINAL	JS 12/14/11	<i>JS</i> <i>ANS</i>

MODEL	SENSITIVITY
3263A1	10 mV/g
3263A2	100 mV/g
3263A3	50 mV/g



4. MATES WITH DYTRAN MODEL 6811AXX (XX = LENGTH IN FEET)
 3. WEIGHT: 5.6 GRAMS MAX
 2. ARROWS INDICATE ACCELERATION DIRECTION FOR POSITIVE OUTPUT.
 1. HOUSING MATERIAL: TITANIUM ALLOY
- NOTES: UNLESS OTHERWISE SPECIFIED.

MOUNTING RECOMMENDATIONS:
 PREPARE MOUNTING SURFACE FLAT TO .001TIR.
 TAP 4-40 UNC-2B ∇ .125 [3.2] MINIMUM.
 RECOMMENDED MOUNTING TORQUE: 6-8 LB IN.
 FOR BEST FREQUENCY RESPONSE MOUNTING SURFACE MUST CONTACT ENTIRE ACCELEROMETER MOUNTING SURFACE.



UNLESS OTHERWISE SPECIFIED:
 INTERPRET DIM & TOL PER ASME Y14.5M - 1994.
 REMOVE BURRS.
 COUNTERSINK INTERNAL THDS 90° TO MAJOR DIA.
 CHAM EXT THDS 45° TO MINOR DIA.
 THD LENGTHS AND DEPTHS ARE FOR MIN FULL THDS.
 THDS PER MIL-S-7742.
 DIMENSIONS APPLY AFTER FINISHING.
 ALL MACHINED SURFACES. TOTAL RUNOUT WITHIN .005.
 BREAK SHARP EDGES .005 TO .010.
 MACHINED FILLET RADII .005 TO .015.
 WELDING SYMBOLS PER AWS A2.4.
 ABBREVIATIONS PER MIL-STD-12.

UNLESS OTHERWISE SPECIFIED:
 DIMENSIONS ARE IN INCHES. DIMENSIONS IN BRACKETS [] ARE IN MILLIMETERS
 TOLERANCES ARE:
 INCHES METRIC ANGLES
 .XX ± .03 .X ± 0.8 ± 1°
 .XXX ± .010 .XX ± 0.25

MATERIAL

FINISH

DO NOT SCALE DRAWING

CONTRACT NO.

APPROVALS		DATE
ORIG	RA	9/9/06
CHK	JS	09/09/11
APP	DV	09/27/11
APP		

Chatsworth, CA

MASTER ONLY IF IN RED

TITLE:
**OUTLINE/INSTALLATION DRAWING,
 MODEL 3263A SERIES
 ACCELEROMETER**

SIZE	CAGE CODE	DWG. NO.	REV
A	2W033	127-3263A3	B

SCALE: NONE SOLIDWORKS SHEET 1 OF 1

MODEL NUMBER 3263A2	PERFORMANCE SPECIFICATION	DOC NO. PS3263A2
	TRIAxIAL ACCELEROMETER, IEPE	REV G, ECN 13018 10/17/16



ACTUAL SIZE

- TRIAXIAL ACCELEROMETER
- HIGH SENSITIVITY
- MINATURE SIZE

PHYSICAL

Weight, Max.
Mounting, Integral Thread
Connector [1]
Material Body
Sensing Element

	ENGLISH		SI	
Type	0.2	oz	5.6	grams
Material	4-40 UNC-2B		4-40 UNC-2B	
Mode	4 PIN		4 PIN	
	Titanium		Titanium	
	Ceramic		Ceramic	
	Shear		Shear	

PERFORMANCE

Sensitivity +/- 10% [2]
Range F.S. For ± 5 Volts Output
Frequency Response, -10%/+15%
Resonant Frequency
Phase Response, ± 5°
Linearity, Max [3]
Transverse Sensitivity, Max.
Equivalent Electrical Noise Floor
Spectral Noise

	ENGLISH		SI	
Sensitivity +/- 10% [2]	100	mV/g	10.2	mV/ m/s ²
Range F.S. For ± 5 Volts Output	± 50	g	± 490	m/s ²
Frequency Response, -10%/+15%	0.3 to 10000	Hz	0.3 to 10000	Hz
Resonant Frequency	>40	KHz	>40	KHz
Phase Response, ± 5°	2 to 3000	Hz	2 to 3000	Hz
Linearity, Max [3]	± 1%	%F.S	± 1%	%F.S
Transverse Sensitivity, Max.	6%		6%	
Equivalent Electrical Noise Floor	0.0006	g rms	0.006	m/s ² rms
Spectral Noise	1Hz	100	981	μm/s ² rms/√(Hz)
	10Hz	50	491	μm/s ² rms/√(Hz)
	100Hz	10	98	μm/s ² rms/√(Hz)
	1000Hz	10	98	μm/s ² rms/√(Hz)
	10000Hz	5	49	μm/s ² rms/√(Hz)

ENVIRONMENTAL

Maximum Vibration
Maximum Shock
Temperature Range
Seal

	ENGLISH		SI	
Maximum Vibration	600	±gpk	5886	± m/s ² pk
Maximum Shock	5000	±gpk	49050	± m/s ² pk
Temperature Range	-60 to +225	°F	-51 to 107	°C
Seal	Hermetic		Hermetic	

ELECTRICAL

Supply Current [4]
Compliance Voltage Range
Output Impedance TYP
Bias Voltage
Discharge Time Constant

	ENGLISH		SI	
Supply Current [4]	2 to 20	mA	2 to 20	mA
Compliance Voltage Range	+18 to +30	V	+18 to +30	V
Output Impedance TYP	150	Ω	150	Ω
Bias Voltage	+11 to +13	VDC	+11 to +13	VDC
Discharge Time Constant	1.2 to 2.2	sec	1.2 to 2.2	sec

This family also includes:

Model	Sensitivity (mV/g)	Range (Gpeak)	Resolution (Grms)	Oper. Temp(°F)	TC
3263A1	10	500	0.0008	-60 to +250	1.0 to 2.0
3263A3	50	100	0.0008	-60 to +225	1.0 to 2.0

Please, refer to the performance specifications of the products in this family for detailed description.

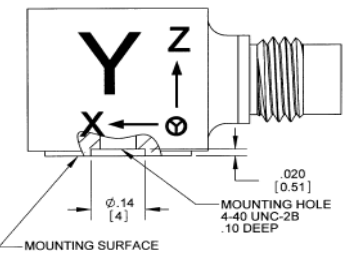
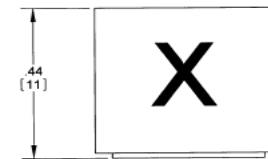
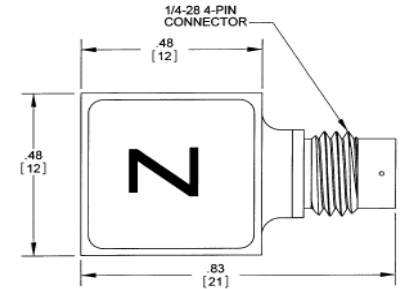
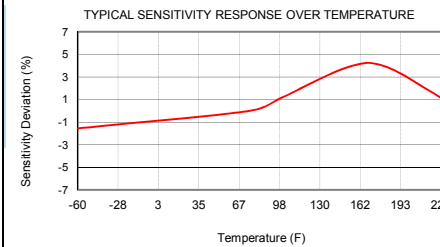
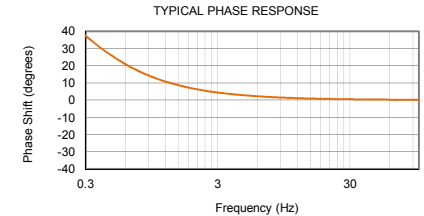
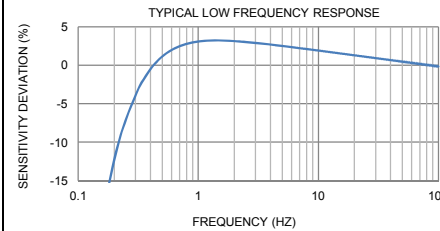
SUPPLIED ACCESSORIES

a) Model 6721 mounted stud 4-40 to 4-40.

Notes:

- [1] Connector mates with Dytran cable assembly Model 6811AXX (XX= length in feet)
 - [2] Measured at 100 Hz, 1 grms per ISA RP 37.2.
 - [3] Measured using zero-based best straight-line method, % of F.S. or any lesser range.
 - [4] Do not apply power to this device without current limiting, 20 mA MAX.
- To do so will destroy the integral IC amplifier.

[5] In the interest of constant product improvement, we reserve the right to change specifications without notice.



Units on the line drawing are in inches, units in brackets are in millimeters. Refer to 127-3263A3 for more information.

