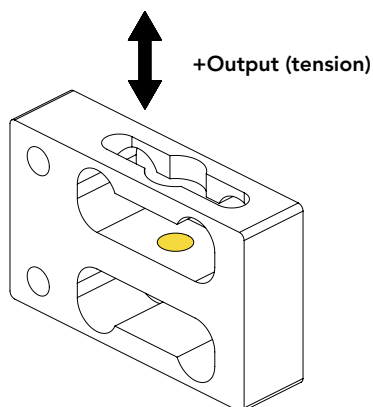




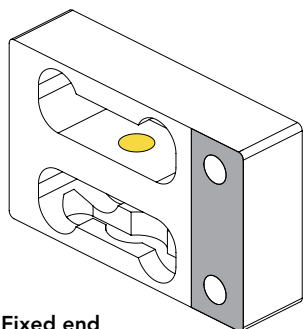
FEATURES

- Intended for high volume applications
- Easily integrates into OEM applications
- Built-in overload protection

Active end



Fixed end



SPECIFICATIONS

PERFORMANCE

Nonlinearity	±0.05% of RO
Hysteresis	±0.05% of RO
Nonrepeatability	±0.05% of RO

ELECTRICAL

Rated Output (RO)	2 mV/V nom
Excitation (VDC or VAC)	18 max
Bridge Resistance	1000 Ohm nom
Insulation Resistance	≥500 Mohm @ 50 VDC
Connection	#29 AWG, 4 conductor, spiral teflon cable, 6 in [152.4 mm] long
Wiring/Connector Code	WC2

MECHANICAL

Weight (approximate)	1 oz [28 g]
Safe Overload	50 lb
Material	Aluminum
IP Rating	IP00

TEMPERATURE

Operating Temperature	-60 to 200°F [-50 to 93°C]
Compensated Temperature	60 to 160°F [15 to 72°C]
Temperature Shift Zero	±0.005% of RO/°F [0.01% of RO/°C]
Temperature Shift Span	±0.005% of Load/°F [0.01% of Load/°C]

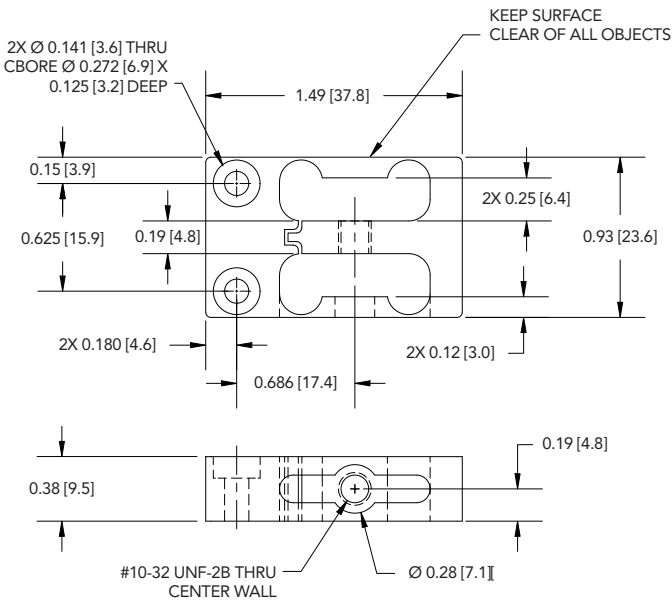
CALIBRATION

Calibration Test Excitation	10 VDC
Calibration (standard)	2-pt Tension
Calibration (available)	2-pt Compression
Shunt Calibration Value	150 kOhm

CONFORMITY

RoHS	2011/65/EU
CE	EN61326-1:2006

DIMENSIONS inches [mm]



CAPACITIES

ITEM #	Ib	N	Deflection (in.)	Natural Frequency (Hz)
FSH03923	0.25	1.1	0.004	200
FSH03924	0.5	2.2	0.004	290
FSH03925	1	4.5	0.004	400

WIRING CODE (WC2)

GREEN	+ EXCITATION
BLACK	- EXCITATION
WHITE	+ SIGNAL
RED	- SIGNAL

*Color code for this sensor is not FUTEK standard

Drawing Number: FI1414

FUTEK reserves the right to modify its design and specifications without notice.
Please visit www.futek.com/salesterms for complete terms and conditions.

10 Thomas, Irvine, CA 92618 USA

Tel: (949) 465-0900

Fax: (949) 465-0905

www.futek.com



RoHS



U.S. Manufacturer