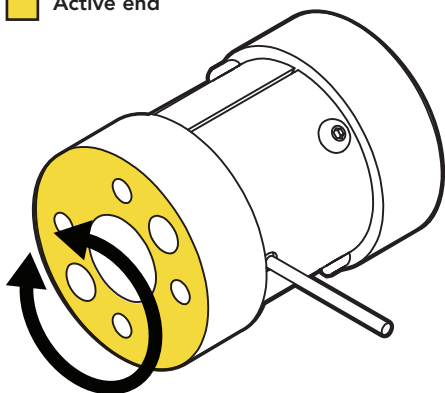




FEATURES

- Easily integrates into OEM applications
- Intended for high volume applications
- Aluminum construction
- .58 inch through holes
- Designed for Torque auditing
- Uses strain gauge technology

 Active end



- Output (CCW)
+ Output (CW)

SPECIFICATIONS

PERFORMANCE

| | |
|------------------|-------------|
| Nonlinearity | ±0.2% of RO |
| Hysteresis | ±0.2% of RO |
| Nonrepeatability | ±0.1% of RO |

ELECTRICAL

| | |
|-------------------------|---|
| Rated Output (RO) | 2 mV/V nom |
| Excitation (VDC or VAC) | 18 max |
| Bridge Resistance | 700 Ohm nom |
| Connection | #29 AWG, 4 conductor, spiral Teflon cable 6 in [152.4 mm] long |

Wiring/Connector Code WC1

MECHANICAL

| | |
|----------------------|------------------------|
| Weight (approximate) | See chart on next page |
| Safe Overload | 150% of RO |
| Material | Aluminum |
| IP Rating | IP40 |

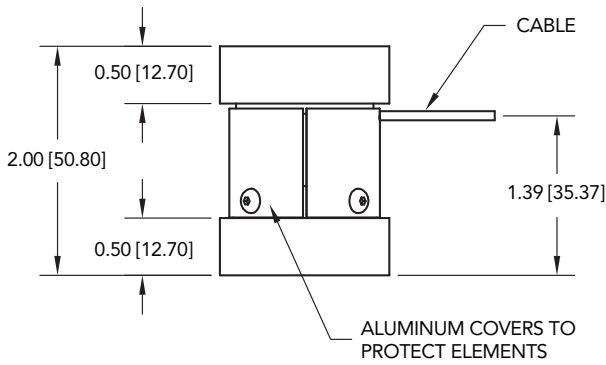
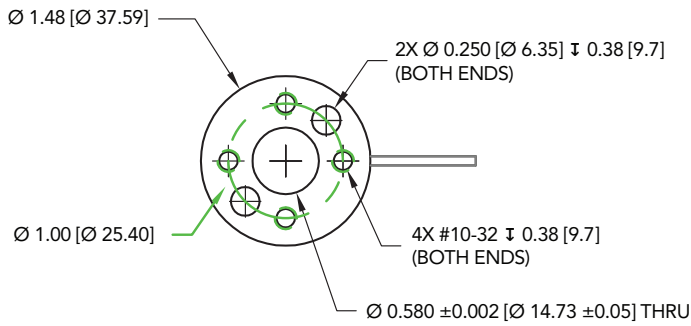
TEMPERATURE

| | |
|-------------------------|---------------------------------------|
| Operating Temperature | -60 to 200°F (-50 to 93°C) |
| Compensated Temperature | 60 to 160°F (15 to 72°C) |
| Temperature Shift Zero | ±0.005% of RO/°F (0.01% of RO/°C) |
| Temperature Shift Span | ±0.01% of Load/°F (0.018% of Load/°C) |

CALIBRATION

| | |
|-----------------------------|----------------------------|
| Calibration Test Excitation | 10 VDC |
| Calibration (standard) | Certificate of Conformance |
| Calibration (available) | 5-pt CW & CCW |
| Shunt Calibration Value | 100 kOhm |

DIMENSIONS inches [mm]



WIRING CODE (WC1)

| | |
|-------|--------------|
| RED | + EXCITATION |
| BLACK | - EXCITATION |
| GREEN | + SIGNAL |
| WHITE | - SIGNAL |

Drawing Number: FI1139-B

FUTEK reserves the right to modify its design and specifications without notice. Please visit <http://www.futek.com/salesterms> for complete terms and conditions.

10 Thomas, Irvine, CA 92618 USA

Tel: (949) 465-0900

Fax: (949) 465-0905

www.futek.com

CAPACITIES

| ITEM # | in-lb | Nm | Natural Frequency (Hz) | Torsional Stiffness in-lb/rad | Weight |
|----------|-------|-----|------------------------|-------------------------------|-----------------|
| FSH00647 | 500 | 60 | 7000 | 1.48×10^4 | 3.4 oz [96.4 g] |
| FSH00648 | 1300 | 150 | 10000 | 3.5×10^5 | 3.5 oz [99.2 g] |



U.S. Manufacturer