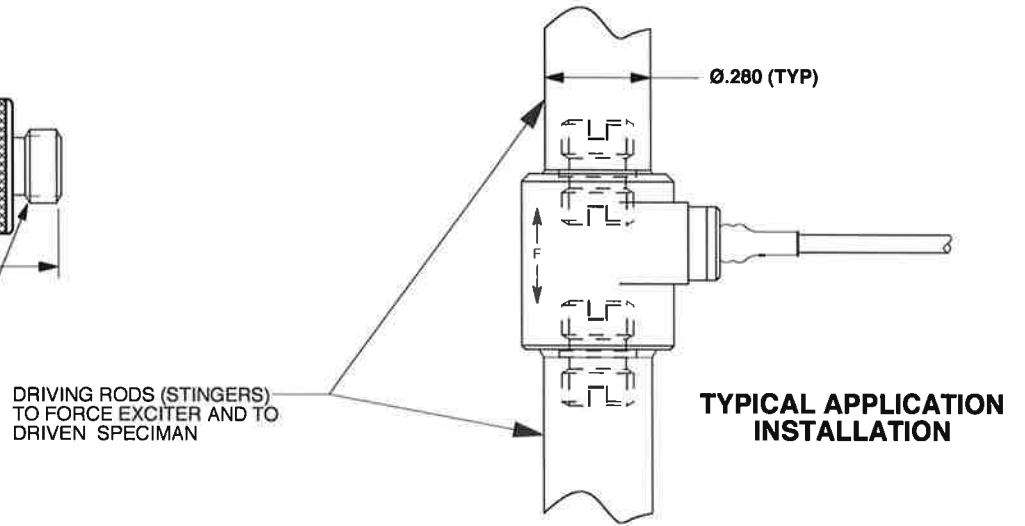
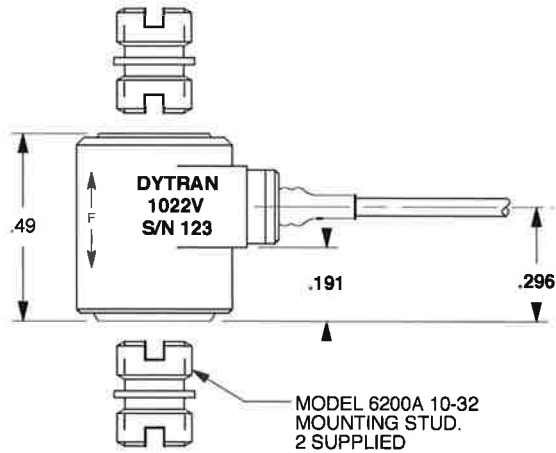
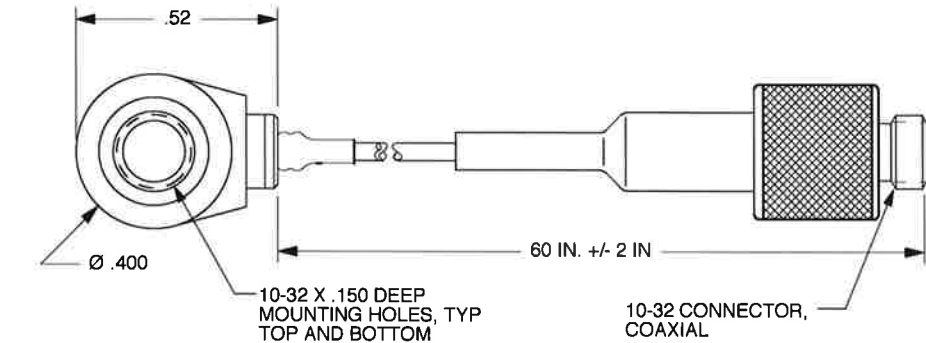


DYTRAN PROPRIETARY AND CONFIDENTIAL
 THE INFORMATION CONTAINED IN THIS DRAWING IS THE SOLE PROPERTY OF
 DYTRAN INSTRUMENTS, INC. AND ANY REPRODUCTION IN PART OR AS A
 WHOLE OR ANY OTHER DISSEMINATION OF THIS INFORMATION WITHOUT THE
 WRITTEN PERMISSION OF DYTRAN INSTRUMENTS, INC. IS PROHIBITED.

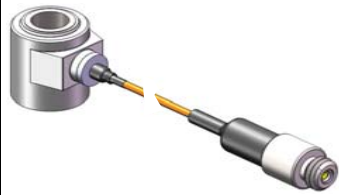
REV	ECN	DESCRIPTION	BY/DATE	CHK	APPR
A	6092	INITIAL RELEASE	NC/6-30-10	EP	DV
B	11370	REVISED CONNECTOR VIEW	RA/10-21-14	<i>EP</i>	<i>LD</i>



MODEL 6742
 INSTALLATION/REMOVAL
 TOOL, SUPPLIED

- UNLESS OTHERWISE SPECIFIED, ALL DIMENSIONS ARE IN INCHES AND FEET.
- WEIGHT: LESS CABLE, 4.2 GRAMS.
- NOMINAL SENSITIVITY: 100 mV/Lb. COMPRESSION PRODUCES POSITIVE-GOING OUTPUT VOLTAGE.
- HOUSING AND LOAD BEARING SURFACES ARE Ti 6Al-4V TITANIUM ALLOY.

		MASTER ONLY IF IN RED		CHATSWORTH, CA.	
SCALE	DESIGN	DATE			
2X	N.C.	7-22-09			
DRAWN	DATE	PART NO.			
N.C.	7-22-09	MODEL 1022V			
CHECKED	DATE	MAT'L			
E.P.	10-29-10	SEE NOTES			
APPROVED	DATE	NEXT ASSEMBLY	USED ON		
D.V.	11-1-10		1022V		
TITLE			DWG NO.		
OUTLINE/INSTALLATION DRAWING, MODEL 1022V IEPE FORCE SENSOR			127-1022V		
SHEET 1 OF 1					



- MINIATURE DYNAMIC FORCE SENSOR
- LOW MASS
- EXCELLENT LINEARITY

		ENGLISH		SI	
PHYSICAL					
Weight (less cable)		0.16	oz	4.50	grams
Size	Height X Diameter	0.49 x 0.40	Inches	12.44 x 10.16	mm
Connector [1]	Type	10-32		10-32	
	Material	Ti 6Al-4V		Ti 6Al-4V	
Housing	Material	Ti 6Al-4V		Ti 6Al-4V	
	Isolation	Case grounded		Case grounded	
Mounting Provision		[2]		[2]	
Sensing Element	Material	Quartz		Quartz	
	Mode	Compression		Compression	
PERFORMANCE					
Sensitivity, ± 10 %		100	mV/LbF	22.5	mV/N
Range, Full Scale		± 50	LbF	± 222	N
Stiffness		26	Lb/μin	2039	kN/μm
Linearity [3]		± 1	% Full Scale	± 1	% Full Scale
Max Shock, Unloaded		5000	g's	5000	g's
Max Vibration, Unloaded		± 2500	g's	± 2500	g's
Mounted Resonant Frequency, Unloaded		50	kHz	50	kHz
Noise Resolution		0.0004	LbF rms	0.0018	N rms
Strain Sensitivity @250/μs		0.006	LbF/με	0.027	N/με
Transverse Sensitivity, Max		5	%	5	%
ELECTRICAL					
Supply Current Range [4]		2 to 20	mA	2 to 20	mA
Compliance Voltage Range		18 to 30	Volts	18 to 30	Volts
Output Impedence, Typ		150	Ω	150	Ω
Bias Voltage		+7.5 to +9.5	VDC	+7.5 to +9.5	VDC
Discharge Time Constant		>100	Sec	>100	Sec
F.S.Output Voltage, Nom		5	Volts, peak	5	Volts, peak
Output Signal Polarity	Compression	Positive		Positive	
	Tension	Negative		Negative	
ENVIRONMENTAL					
Operating Temperature		-100 to +250	°F	-73 to +121	°C
Environmental Seal		Welded/Epoxy		Welded/Epoxy	

This family also includes:

Model	Sensitivity (mV/LbF)	Range (LbF)	Linearity (% Full Scale)	Oper. Temp(°F)

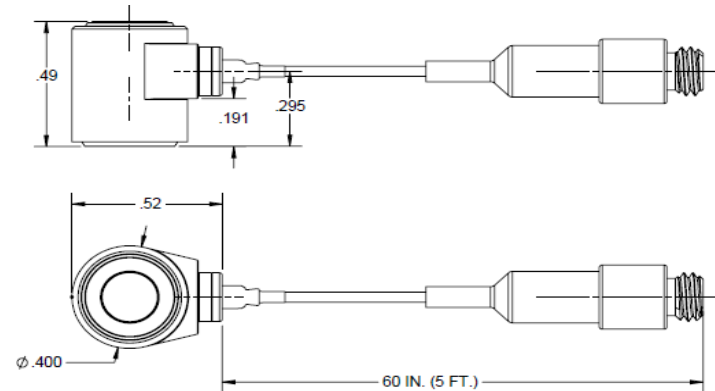
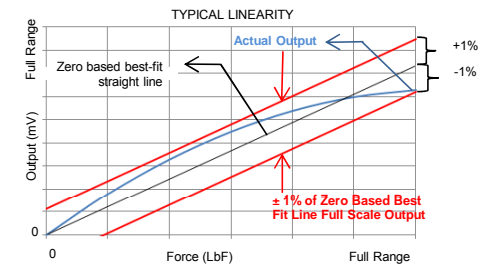
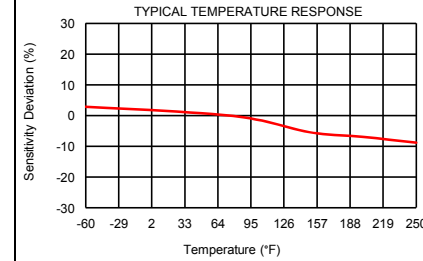
Refer to the performance specifications of the products in this family for detailed description

Supplied Accessories:

- 1) Accredited calibration certificate (ISO 17025)
- 2) Model # 6200 Be Cu Mounting Stud (2)
- 3) 6742 Removal tool

Notes:

- [1] Connector mounted at end of 5 FT integral cable
- [2] 10-32 tapered hole at top and bottom
- [3] Percent of full scale or of any lesser range, zero based best fit straight line method.
- [4] Do not apply power to this unit without current limiting, 20 mA MAX. To do so will destroy the IC charge amplifier.
- [5] In the interest of constant product improvement, we reserve the right to change specifications without notice.



Units on the line drawing are in inches. Refer to 127-1022V for more information.

