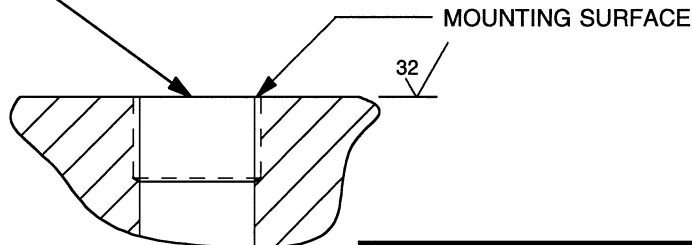


MOUNTING PREPARATION

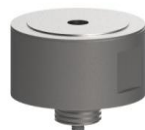
PREPARE FLAT SURFACE (TO .001 TIR)
OVER 2.00 MIN DIAMETER AREA.
DRILL 39/64 (Ø.609) THRU, AT CENTER
TAP 11/16-12 UNS-2B X .430 MIN THREAD
DEPTH



1. MATERIAL, HOUSING & CONNECTOR HOUSING:
300 SERIES STAINLESS STEEL. TOP AND
BOTTOM SURFACES, 17-4 PH ST. STEEL
2. WEIGHT - 460 GRAMS
3. TORQUE TO 20-25 LB-FT AT INSTALLATION
USING WRENCH ON WRENCH FLATS ONLY.
4. DO NOT APPLY IMPACT LOADS TO FORCE
SENSOR WITHOUT IMPACT CAP, MODEL 6217
OR EQUIVALENT. CONSULT FACTORY FOR
SPECIAL IMPACT CAPS FOR YOUR
PARTICULAR APPLICATION.

EXCEPT AS OTHERWISE NOTED	
ALL DIMENSIONS IN INCHES TOLERANCE: .XXX ± ± .XX ± ±	
SURFACE FINISH EXCEPT AS NOTED	✓
BREAK EDGES TO DEBURR RADIUS OR CHAMFER	
△ THESE DIAS ⊙ TO T.I.R.	
FILLETS -	MAX RAD.

DYTRAN INSTRUMENTS, INC.		CHATSWORTH, CA.	
SCALE 1X	REV	DATE	ECN
DATE 8/19/96	PART NO. 1060V1 - 1060V6		
DRAWN N.C.	CHECKED D.Z.	MAT'L	
APPROVED	NEXT ASSEMBLY	USED ON	
TITLE OUTLINE/INSTALLATION DRAWING FORCE SENSOR, SERIES 1060V			DWG NO. 127-1060V
SHEET 1 OF 1			



- **DYNAMIC FORCE SENSOR**
- **VOLTAGE MODE**
- **EXCELLENT LINEARITY**

PHYSICAL

Weight, Max.
Connector
Housing
Sensing Element

Type
Thread
Material
Isolation
Material
Mode

ENGLISH		SI	
16.10	oz	460	grams
Coaxial		Coaxial	
10-32		10-32	
Stainless steel		Stainless steel	
Case grounded		Case grounded	
Quartz		Quartz	
Compression		Compression	

PERFORMANCE

Sensitivity, +/-10%
Compression Range
Maximum Compression, +/-5%
Tension Range
Maximum Tension [1], +/-5%
Resolution
Linearity [2]
Mounted Resonance (Unloaded)
Stiffness

0.2	mV/Lb	0.04	mV/N
25000	Lbs.Force	111200	N
50000	Lbs.Force	222400	N
1000	Lbs.Force	4448	N
1000	Lbs.Force	4448	N
.35	Lb. RMS	1.55680	N RMS
± 1	% Full Scale	± 1	% Full Scale
≥ 75	kHz	≥ 75	kHz
50	Lb/μin	8.66	kN/μm

ENVIRONMENTAL

Coefficient Of Thermal Sensitivity
Operating Temperature
Maximum Vibration
Maximum Shock
Environmental Seal

0.03	%/°F	0.05	%/°C
-100 to +250	°F	-73 to +121	°C
±3000	g's,Peak	±29400	m/s^2 Peak
5,000	g's,Peak	49,000	m/s^2 Peak
Epoxy		Epoxy	

ELECTRICAL

Supply Current [3]
Compliance Voltage
Discharge Time Constant, Min.
F.S. Output Voltage
Output Impedance

2 to 20	mA	2 to 20	mA
18 to 30	VDC	18 to 30	VDC
2000	Seconds	2000	Seconds
5	Volts	5	Volts
100	Ω	100	Ω

This family also includes:

Model	Sensitivity (mV/Lb)	Range (LbsF) Compressive, Tensile	Max Force (LbsF) Compressive, Tensile	Discharge Time Constant (Sec)
1060V1	10	500, 500	10000, 1000	150
1060V2	5	1000, 1000	20000, 1000	300
1060V3	1	5000, 1000	30000, 1000	1500
1060V4	0.5	10000, 1000	40000, 1000	2000
1060V6	0.1	50000, 1000	60000, 1000	2000

Refer to the performance specifications of the products in this family for detailed description

Supplied Accessories:

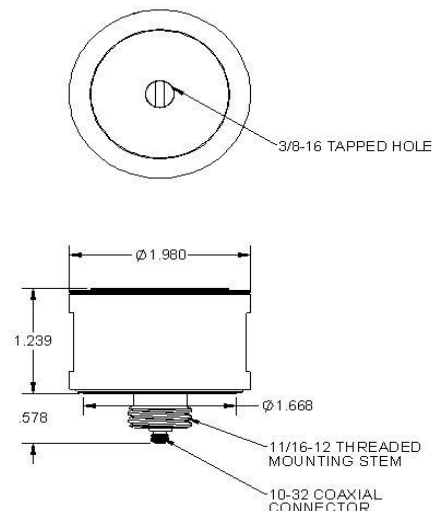
- 1) Accredited Calibration Certificate (ISO 17025)
- 2) MOD 6232 MOUNTING STUD

Notes:

[1] Absolute maximum tension. Do not exceed in any case!

[2] Percent of full scale or any lesser range, zero based best-fit straight line method.

[3] Power these instruments only with constant current type power units. Do not connect to a source of voltage without current limiting. This will destroy the integral IC amplifier.



Units on the line drawing are in inches, units in brackets are in millimeters. Refer to 127-1060V for more information.

