

- 2. MOUNTING TORQUE ON .281 HEX: 3 TO 4 LB.-IN.
- 1. WEIGHT: 2.5 GRAMS.

		<b>MASTER ONLY IF IN RED</b> CHATSWORTH, CA.					
SCALE	4X	REV	A	DATE	6/10/04	ECN	-
DATE	11/15/99	PART NO.	MODEL 3035C				
DRAWN	N.C.	CHECKED	R.A.	MAT'L			
APPROVED			NEXT ASSEMBLY	USED ON			
TITLE <b>OUTLINE/INSTALLATION DRAWING,          MODEL 3035C CHARGE MODE ACCELEROMETER,          NEGATIVE OUTPUT</b>						DWG NO. <b>127-3035C</b>	
						SHEET 1 OF 1	



- MINATURE SIZE
- HERMETICALLY SEALED
- STUD MOUNT

**PHYSICAL**

Weight, Max.  
Connector  
Mounting Provision  
Material, Housing/Connector  
Sensing Element  
Element Style

	ENGLISH		SI	
Weight, Max.	0.09	oz	2.5	grams
Connector	5-44 Coaxial		5-44 Coaxial	
Mounting Provision	5-40 Integral Stud		5-40 Integral Stud	
Material, Housing/Connector	300 Series Stainless Steel		300 Series Stainless Steel	
Sensing Element	Ceramic		Ceramic	
Element Style	Shear		Shear	

**PERFORMANCE**

Sensitivity, ±10% [1]  
Range for ± 5 Volts Output  
Frequency Response, ±10%  
Resonant Frequency  
Linearity [2]  
Maximum Transverse sensitivity  
Strain Sensitivity @ 250µε

	ENGLISH		SI	
Sensitivity, ±10% [1]	2.5	pC/g	0.3	mV/m/s <sup>2</sup>
Range for ± 5 Volts Output	±500	g	±4905	m/s <sup>2</sup>
Frequency Response, ±10%	0.5 to 10000	Hz	0.5 to 10000	Hz
Resonant Frequency	> 45	kHz	> 45	kHz
Linearity [2]	±1	% F.S.	±1	% F.S.
Maximum Transverse sensitivity	5	%	5	%
Strain Sensitivity @ 250µε	0.002	g/µε	0.02	m/s <sup>2</sup> /µε

**ENVIRONMENTAL**

Maximum Vibration  
Maximum Shock  
Temperature Range  
Seal  
Electrical Isolation

	ENGLISH		SI	
Maximum Vibration	600	Gpeak	5884	m/s <sup>2</sup> peak
Maximum Shock	10000	Gpeak	98067	m/s <sup>2</sup> peak
Temperature Range	-100 to +400	°F	-73 to +204	°C
Seal	Hermetic		Hermetic	
Electrical Isolation	Case Grounded	GΩ,min	Case Grounded	GΩ,min

**This family also includes:**

Model	Range F.S. (g)	Sensitivity (mV/g)	Time Constant (Sec)

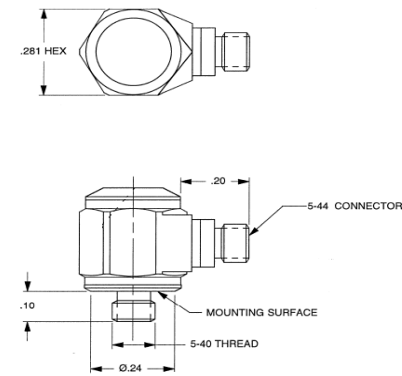
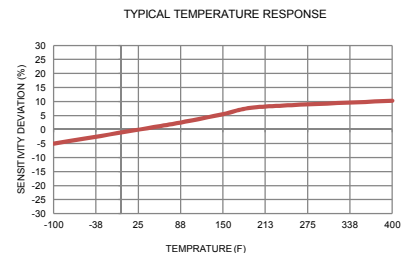
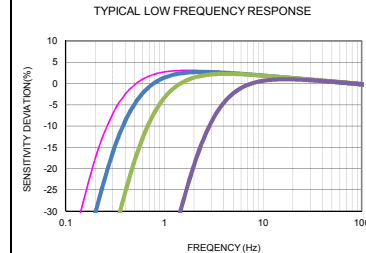
Refer to the performance specifications of the products in this family for detailed description

**Supplied Accessories:**

- 1) Accredited calibration certificate (ISO 17025)

**Notes:**

- [1] Measured at 100Hz, 1 Grms per ISA RP 37.2.
  - [2] Measure using zero-based straight line method, % of F.S. or any lesser range.
  - [3] In the interest of constant product improvement, we reserve the right to change specifications without notice.
  - [4] Low frequency response is the function of the discharge time constant of the charge amplifier used.
- Please, refer to the plot below for frequency response for different time constants.



Units on the line drawing are in inches, units in brackets are in millimeters. Refer to 127-3035C for more information.

