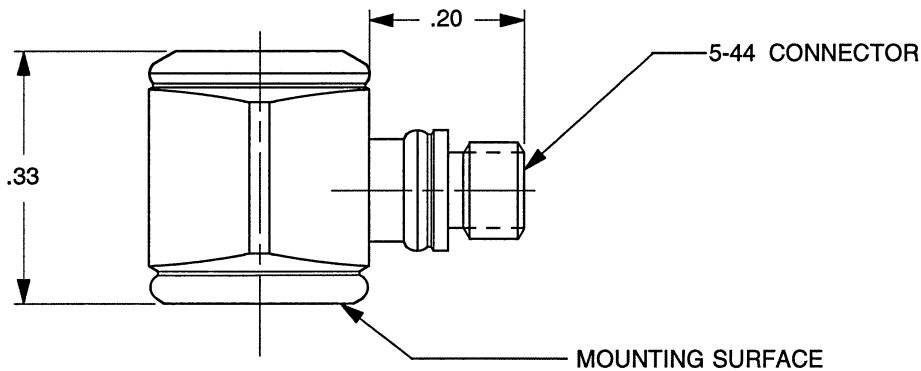


ACTUAL SIZE



		CHATSORTH, CA.	
SCALE	4X	REV	DATE
DATE	2/10/00	PART NO.	MODEL 3035CG
DRAWN	N.C.	CHECKED	R.A.
APPROVED	<i>[Signature]</i>	NEXT ASSEMBLY	USED ON
TITLE OUTLINE/INSTALLATION DRAWING, MODEL 3035CG CHARGE MODE ACCELEROMETER			DWG NO. 127-3035CG
SHEET 1 OF 1			

1. WEIGHT: 2.3 GRAMS.

Model Number 3035CG	PERFORMANCE SPECIFICATIONS	DOC NO PS3035CG
------------------------	-----------------------------------	--------------------

IEPE ACCELEROMETER REV C, ECN 11062, 12/15/15



- MINATURE SIZE
- HERMETICALLY SEALED
- ADHESIVE MOUNT

PHYSICAL

	ENGLISH		SI	
Weight, Max.	0.08	oz	2.3	grams
Connector	5-44 Coaxial		5-44 Coaxial	
Mounting Provision	Adhesive		Adhesive	
Material, Housing/Connector	300 Series Stainless Steel		300 Series Stainless Steel	
Sensing Element	Ceramic		Ceramic	
Element Style	Shear		Shear	

PERFORMANCE

	ENGLISH		SI	
Sensitivity, ±10% [1]	2.5	pC/g	0.3	mV/m/s ²
Range for ± 5 Volts Output	±500	g	±4905	m/s ²
Frequency Response, ±10%	0.5 to 10000	Hz	0.5 to 10000	Hz
Resonant Frequency	> 45	kHz	> 45	kHz
Linearity [2]	±1	% F.S.	±1	% F.S.
Maximum Transverse sensitivity	5	%	5	%
Strain Sensitivity @ 250µε	0.002	g/µε	0.02	m/s ² /µε

ENVIRONMENTAL

	ENGLISH		SI	
Maximum Vibration	600	Gpeak	5884	m/s ² peak
Maximum Shock	10000	Gpeak	98067	m/s ² peak
Temperature Range	-100 to +400	*F	-73 to +204	*C
Seal	Hermetic		Hermetic	
Electrical Isolation	Case Grounded	GΩ,min	Case Grounded	GΩ,min

This family also includes:

Model	Range F.S. (g)	Sensitivity (mV/g)	Time Constant (Sec)

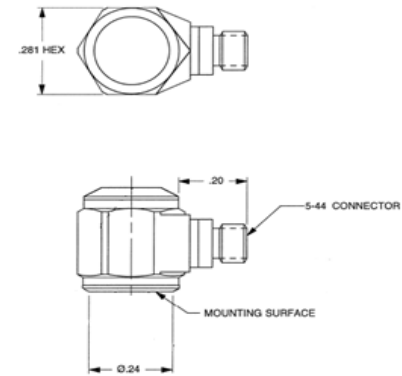
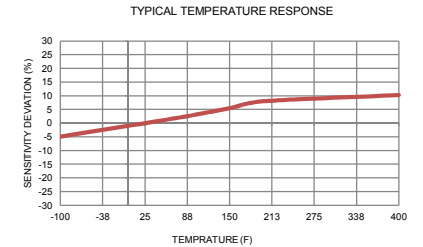
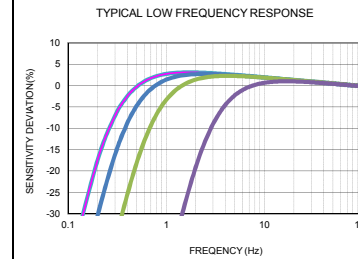
Refer to the performance specifications of the products in this family for detailed description

Supplied Accessories:

- 1) Accredited calibration certificate (ISO 17025)

Notes:

- [1] Measured at 100Hz, 1 Grms per ISA RP 37.2.
 - [2] Measure using zero-based straight line method, % of F.S. or any lesser range.
 - [3] In the interest of constant product improvement, we reserve the right to change specifications without notice.
 - [4] Low frequency response is the function of the discharge time constant of the charge amplifier used.
- Please, refer to the plot below for frequency response for different time constants.



Units on the line drawing are in inches, units in brackets are in millimeters. Refer to 127-3035CG for more information.



21592 Marilla Street, Chatsworth, California 91311 Phone: 818.700.7818 Fax:818.700.7880 www.dytran.com
For permission to reprint this content, please contact info@dytran.com