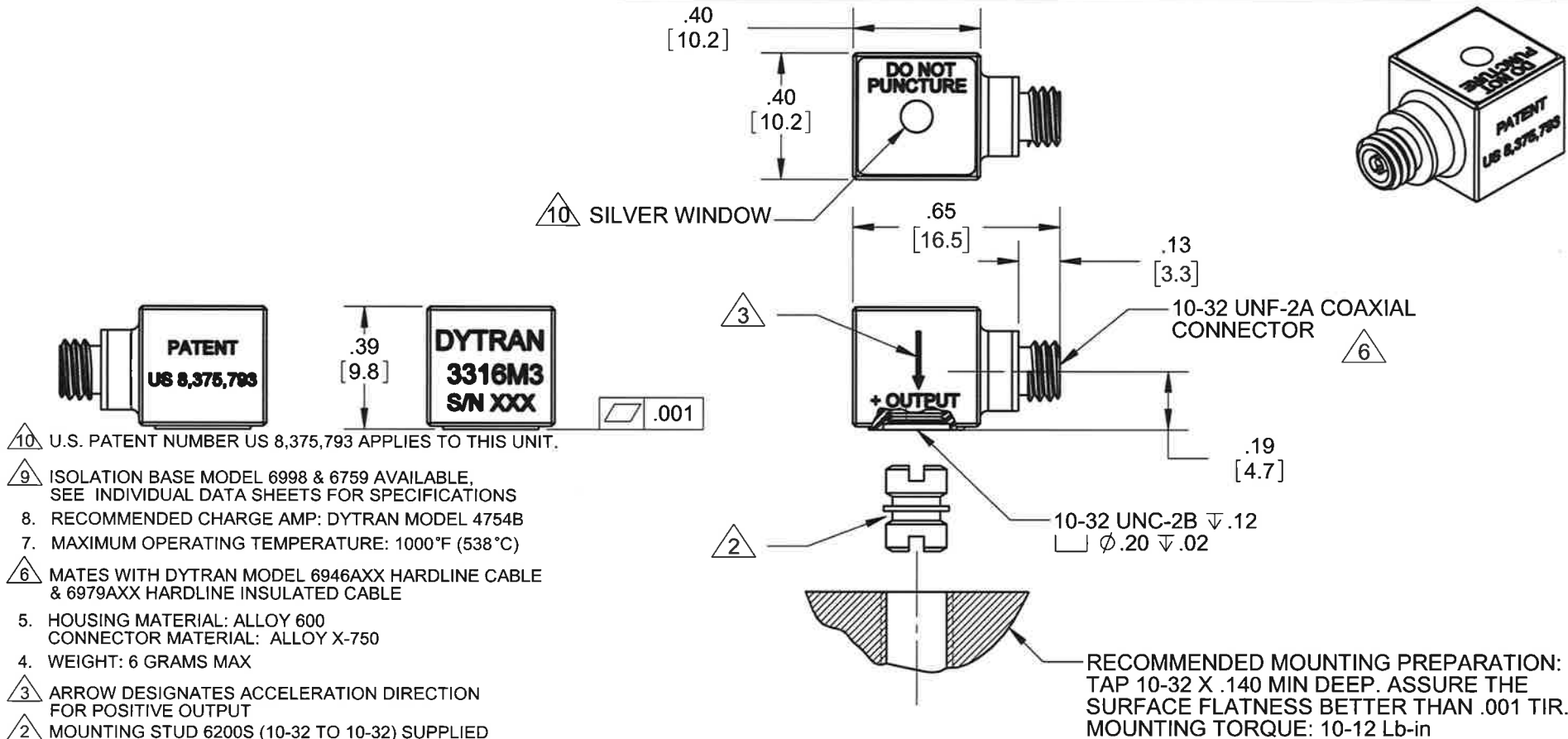


PROPRIETARY AND CONFIDENTIAL

THE INFORMATION CONTAINED IN THIS DRAWING IS THE SOLE PROPERTY OF DYTRAN INSTRUMENTS INC. ANY REPRODUCTION IN PART OR AS A WHOLE WITHOUT THE WRITTEN PERMISSION OF DYTRAN INSTRUMENTS INC. IS PROHIBITED

REVISIONS

REV	ECN	DESCRIPTION	BY/DATE	CHK	APPR
E	11957	NOTE 4 WAS: WEIGHT: 5 GRAMS MAX	JS 11/06/14	LA	DV
F	13509	NOTE 5: CONNECTOR MATERIAL: WAS: UNS K94610, ASTM F-15 IS: ALLOY X-750	AM 6/14/17	W	AS



- 10. U.S. PATENT NUMBER US 8,375,793 APPLIES TO THIS UNIT.
 - 9. ISOLATION BASE MODEL 6998 & 6759 AVAILABLE, SEE INDIVIDUAL DATA SHEETS FOR SPECIFICATIONS
 - 8. RECOMMENDED CHARGE AMP: DYTRAN MODEL 4754B
 - 7. MAXIMUM OPERATING TEMPERATURE: 1000°F (538°C)
 - 6. MATES WITH DYTRAN MODEL 6946AXX HARDLINE CABLE & 6979AXX HARDLINE INSULATED CABLE
 - 5. HOUSING MATERIAL: ALLOY 600
CONNECTOR MATERIAL: ALLOY X-750
 - 4. WEIGHT: 6 GRAMS MAX
 - 3. ARROW DESIGNATES ACCELERATION DIRECTION FOR POSITIVE OUTPUT
 - 2. MOUNTING STUD 6200S (10-32 TO 10-32) SUPPLIED
 - 1. SENSITIVITY: 1 TO 2 pC/g
- NOTES: UNLESS OTHERWISE SPECIFIED

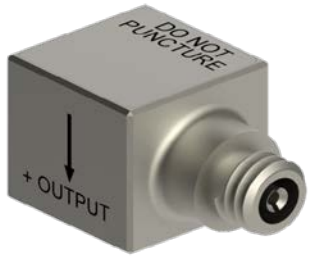
USED ON	NEXT ASSY	UNLESS OTHERWISE SPECIFIED: INTERPRET DIM & TOL PER ASME Y14.5M - 1994. REMOVE BURRS. COUNTERSINK INTERNAL THDS 90° TO MAJOR DIA. CHAM EXT THDS 45° TO MINOR DIA. THD LENGTHS AND DEPTHS ARE FOR MIN FULL THDS. THDS PER MIL-S-7742. DIMENSIONS APPLY AFTER FINISHING.
APPLICATION		
THIRD ANGLE PROJECTION USA		UNLESS OTHERWISE SPECIFIED: DIMENSIONS ARE IN INCHES. DIMENSIONS IN BRACKETS [] ARE IN MILLIMETERS TOLERANCES ARE: INCHES METRIC ANGLES .XX ± .03 .X ± 0.8 ± 1° .XXX ± .010 .XX ± 0.25
ALL MACHINED SURFACES. TOTAL RUNOUT WITHIN .005. BREAK SHARP EDGES .005 TO .010. MACHINED FILLET RADII .005 TO .015. WELDING SYMBOLS PER AWS A2.4. ABBREVIATIONS PER MIL-STD-12.		

CONTRACT NO.	
APPROVALS	DATE
ORIG JS	09/26/12
CHK AB	09/26/12
APP AS	10/05/12
DO NOT SCALE DRAWING	

DYTRAN MASTER
INSTRUMENTS, INC. Chatsworth, CA

TITLE: **OUTLINE/INSTALLATION DRAWING, 3316M3**

SIZE A	CAGE CODE 2W033	DWG. NO. 127-3316M3	REV F
SCALE: NONE		SOLIDWORKS	SHEET 1 OF 2



- MINIATURE SIZE
- HERMETICALLY SEALED
- HIGH TEMPERATURE OPERATION

PHYSICAL

Weight, Max
Size Square x Height
Connector [3]
Mounting Provision : Tapped Hole
Material Housing
Element Style Connector Material

ENGLISH		SI	
Weight, Max	0.21 oz	6.0 grams	
Size	.40 x .39 Inches	10.16 x 9.8 mm	
Connector [3]	10-32 Coaxial	10-32 Coaxial	
Mounting Provision : Tapped Hole	10-32 UNC-2B	10-32 UNC-2B	
Material	Alloy 600	Alloy 600	
Element Style	Alloy X-750	Alloy X-750	
	Single Crystal	Single Crystal	
	Planar Shear	Planar Shear	

PERFORMANCE

Sensitivity [1]
Range F.S for ± 5 Volts Output
Frequency Range, ±10%
Resonant Frequency
Capacitance
Linearity [2]
Phase Response (±5°)
Maximum Transverse sensitivity
Strain Sensitivity
Insulation resistance, (Connector pin to case)
Coefficient of Thermal Sens.
Ground Isolation

Sensitivity [1]	1 to 2 pC/g	0.10 to 0.20 pC/m/s ²	
Range F.S for ± 5 Volts Output	[9] G's	[9] m/s ²	
Frequency Range, ±10%	[4] to 10000 Hz	[4] to 10000 Hz	
Resonant Frequency	> 45 kHz	> 45 kHz	
Capacitance	120 pF	120 pF	
Linearity [2]	± 1% % F.S.	± 1% % F.S.	
Phase Response (±5°)	[4] to 3000 Hz	[4] to 3000 Hz	
Maximum Transverse sensitivity	5 %	5 %	
Strain Sensitivity	0.002 g/με	0.02 m/s ² /με	
Insulation resistance, (Connector pin to case)	at 75°F > 5 MΩ	at 75°F > 5 Ω	
	at 1000°F > 0.25 MΩ	at 1000°F > 0.25 Ω	
Coefficient of Thermal Sens.	0.02 %F	0.02 %F	
Ground Isolation	Case Ground	Case Ground	

ENVIRONMENTAL

Maximum Vibration
Maximum Shock
Temperature Range
Seal
Radiation Exposure Limit (Integrated Neutron Flux)
Radiation Exposure Limit (Integrated Gamma Flux)

Maximum Vibration	±6000 G, peak	±58860 m/s ² , peak	
Maximum Shock	±10000 G, peak	±98100 m/s ² , peak	
Temperature Range	-60 to +1000 °F	-51 to +538 °C	
Seal	Hermetic	Hermetic	
Radiation Exposure Limit (Integrated Neutron Flux)	1.0E+10 N/cm ²	1.0E+10 N/cm ²	
Radiation Exposure Limit (Integrated Gamma Flux)	1.0E+08 rad	1.0E+08 rad	

This family also includes:

Model	Sensitivity (pC/g)	Range F.S (G's)	Output Polarity	Temperature (°F)

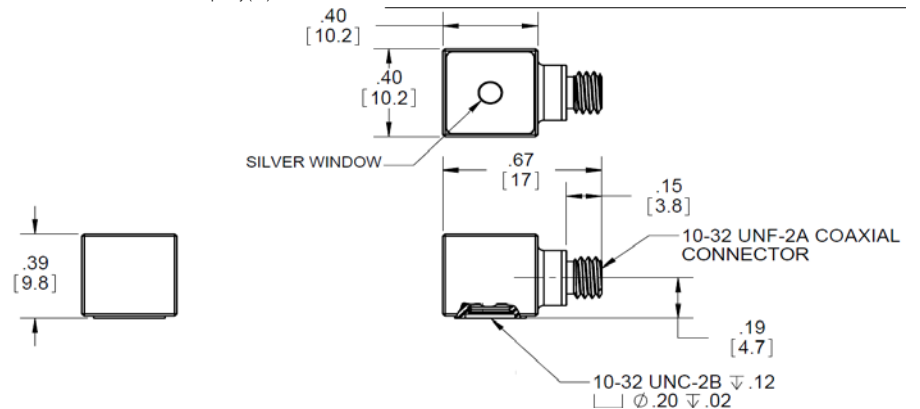
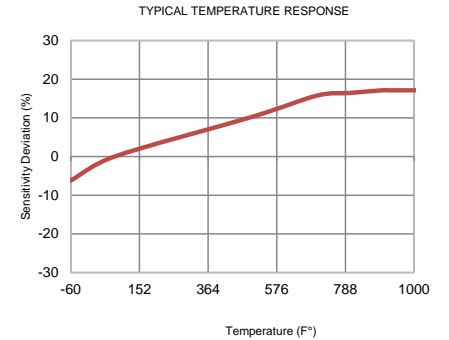
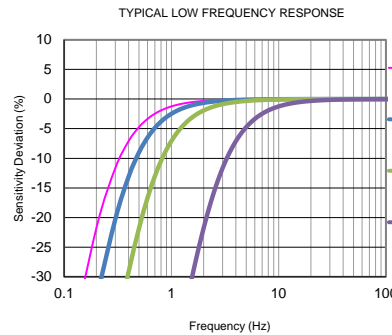
Refer to the performance specifications of the products in this family for detailed description.

Supplied Accessories:

- 1) Accredited calibration certificate (ISO 17025)
- 2) Model 6200S mounting stud (10-32 to 10-32), qty 1

Notes:

- [1] Measured at 100Hz, 1 Grms per ISA RP 37.2
- [2] Measured using zero-based straight line method, % of F.S. or any lesser range.
- [3] Mates with Dytran cable 6946AXX hardline cable and 6979AXX hardline insulated cable.
- [4] Low frequency response and phase response are a function of the discharge time constant of the charge amplifier used. See graph below for example.
- [5] In the interest of constant product improvement, we reserve the right to change specifications without notice.
- [6] Recommended charge amplifier: Dytran model 4754B, Series.
- [7] Isolation mounting base model 6959 (triaxial) and 6998 (uniaxial) are available.
- [8] U.S. Patent number US 8,375,793 B2 applies to this unit.
- [9] This parameter depends on the gain settings of the charge amplifier used.



Units on the line drawing are in inches, units in brackets are in millimeters. Refer to 127-3316M3 for more information.

