

MC3A-250 SPECIFICATIONS

The MC3A is a compact, six-axis transducer with threaded inserts on its top and bottom surfaces. The body of the load cell is manufactured from a high-strength aluminum alloy with an anodized finish to protect the exterior from corrosion. Elastomeric O-ring seals provide internal protection of the strain gages and wiring from industrial environments and moisture exposure. A [waterproof version](#) is available for use in tow tanks, ocean engineering, and other underwater applications.



Units: Capacity:

Dimensions(WxLxH)	76 x 76 x 76.2 mm	IP Rating	IP60
Weight	0.909 Kg.	Sensing elements	Strain gage bridge
Channels	Fx, Fy, Fz, Mx, My, Mz	Amplifier	Required
Body Material	Aluminum	Analog outputs	6 Channels
Temperature range	-17.78 to 51.67°C	Digital outputs	None
Excitation	10V maximum	Crosstalk	< 2% on all channels
Fx, Fy, Fz hysteresis	± 0.2% full scale output	Fx, Fy, Fz non-linearity	± 0.2% full scale output

Channel	Fx	Fy	Fz	Units	Mx	My	Mz	Units
Capacity	556	556	1112	N	28	28	14	N-m
Sensitivity	2.16	2.16	0.54	µv/v-N	106.3	106.3	85.06	µv/v-N-m
Natural frequency	-	-	-	Hz	500	500	-	Hz
Stiffness (X 105)	52.58	52.58	745	N/m	-	-	0.0564	N-m/rad

Resolution *To determine the resolution of your system, please use our [Output Calculator](#).*

Published specifications subject to change without notice.

Last modified:2016-08-23

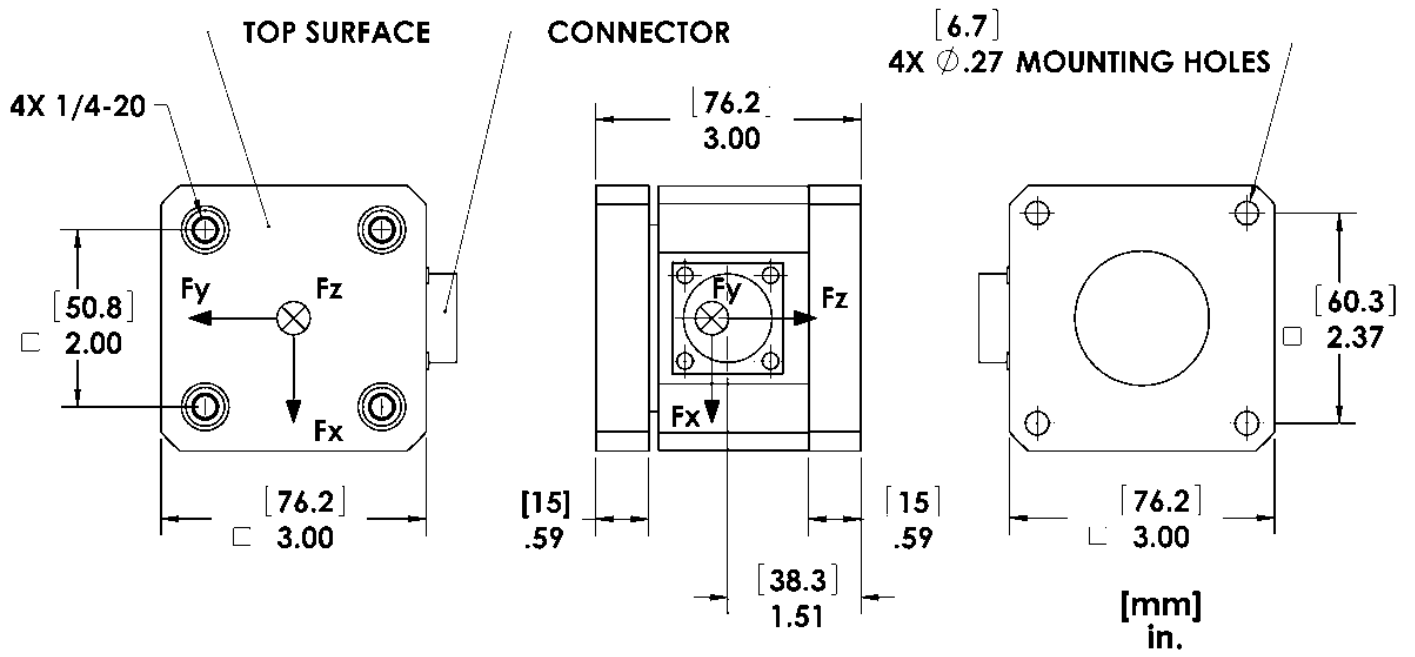
TECHNICAL DRAWINGS

Footprint Drawing (click on image to enlarge)

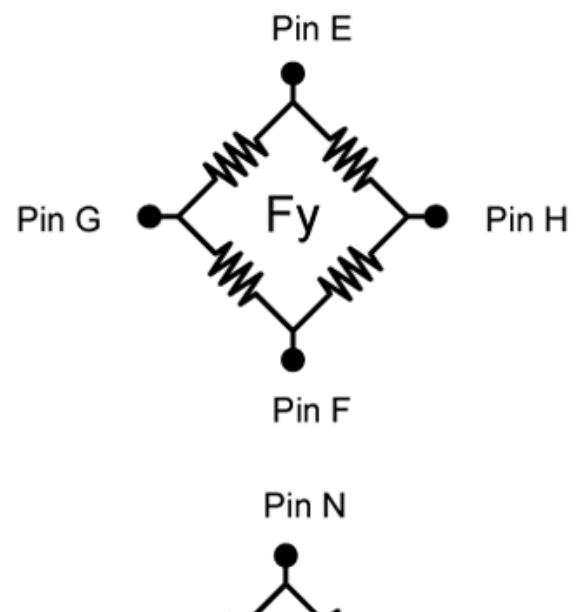
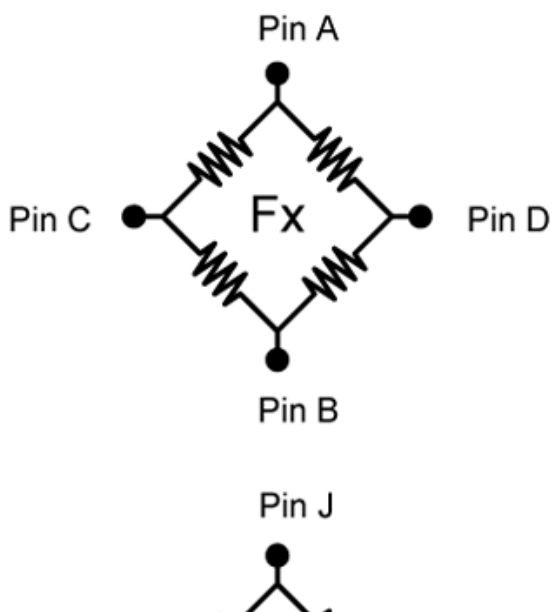
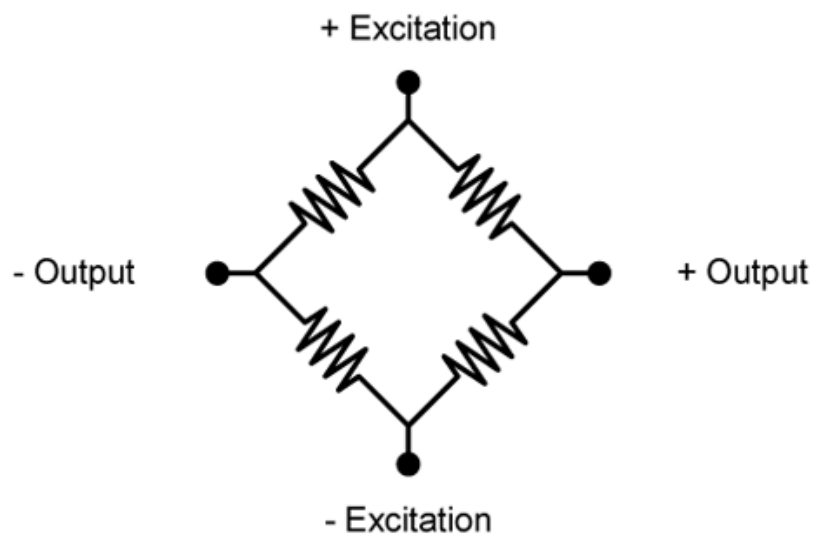
Electrical Drawing (click on image to enlarge)

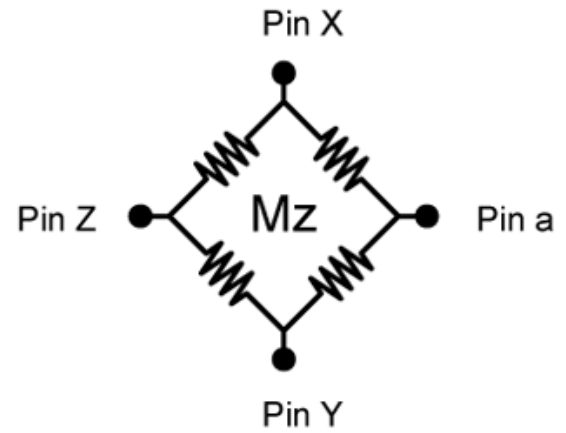
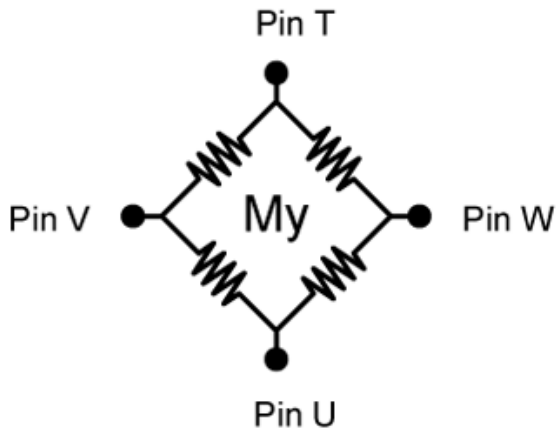
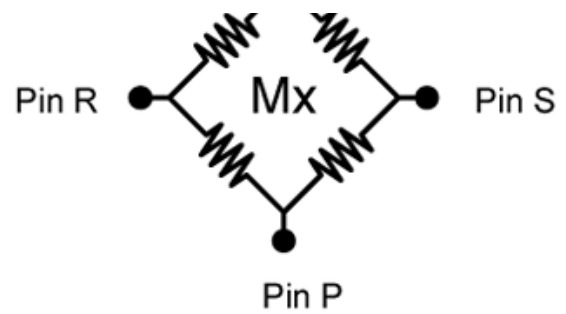
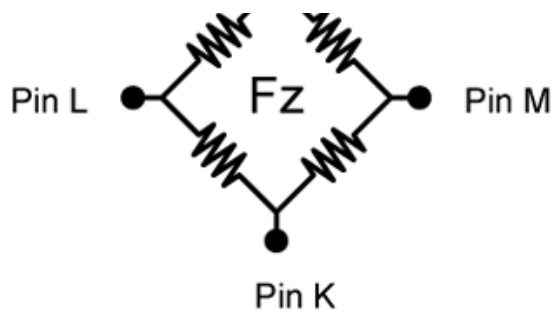
TECHNICAL DRAWING

Footprint Drawing



Electrical Drawing





Bridge Fz = 700 ohms
 Bridges Fx; Fy; Mx; My; Mz = 350 ohms
Connector Type:
 Souriau 851-02E16-26P50-44