

MC5-1250 SPECIFICATIONS

The MC5 is a cylindrical, six-axis transducer with threaded inserts on its top and bottom surfaces. The body of the load cell is manufactured from high strength aluminum with an anodized finish. An elastomeric O-ring seal protects the strain gages and wiring. Internal sealing of the strain gages further ensures long life and consistent, reliable performance.



Units: Capacity:

Dimensions(LxDia)	127 x 125.7 mm	IP Rating	IP60
Weight	3.18 Kg.	Sensing elements	Strain gage bridge
Channels	Fx, Fy, Fz, Mx, My, Mz	Amplifier	Required
Body Material	Aluminum	Analog outputs	6 Channels
Temperature range	-17.78 to 51.67°C	Digital outputs	None
Excitation	10V maximum	Crosstalk	< 2% on all channels
Fx, Fy, Fz hysteresis	± 0.2% full scale output	Fx, Fy, Fz non-linearity	± 0.2% full scale output

Channel	Fx	Fy	Fz	Units	Mx	My	Mz	Units
Capacity	2780	2780	5560	N	203	203	141	N-m
Sensitivity	0.899	0.899	0.225	µv/v-N	20.37	20.37	12.4	µv/v-N-m
Natural frequency	-	-	-	Hz	440	440	-	Hz
Stiffness (X 105)	210	210	1052	N/m	0.847	0.847	0.565	N-m/rad

Resolution *To determine the resolution of your system, please use our [Output Calculator](#).*

The Fx, Fy, and Fz capacities can be exceeded by a factor of 3 as long as the Mx, My, and Mz capacities are not exceeded.

Notes:

The Mx and My capacities are calculated in reference to the transducer origin located 2.37 in (6 cm) below the top surface.

Published specifications subject to change without notice.

Last modified:2016-08-23

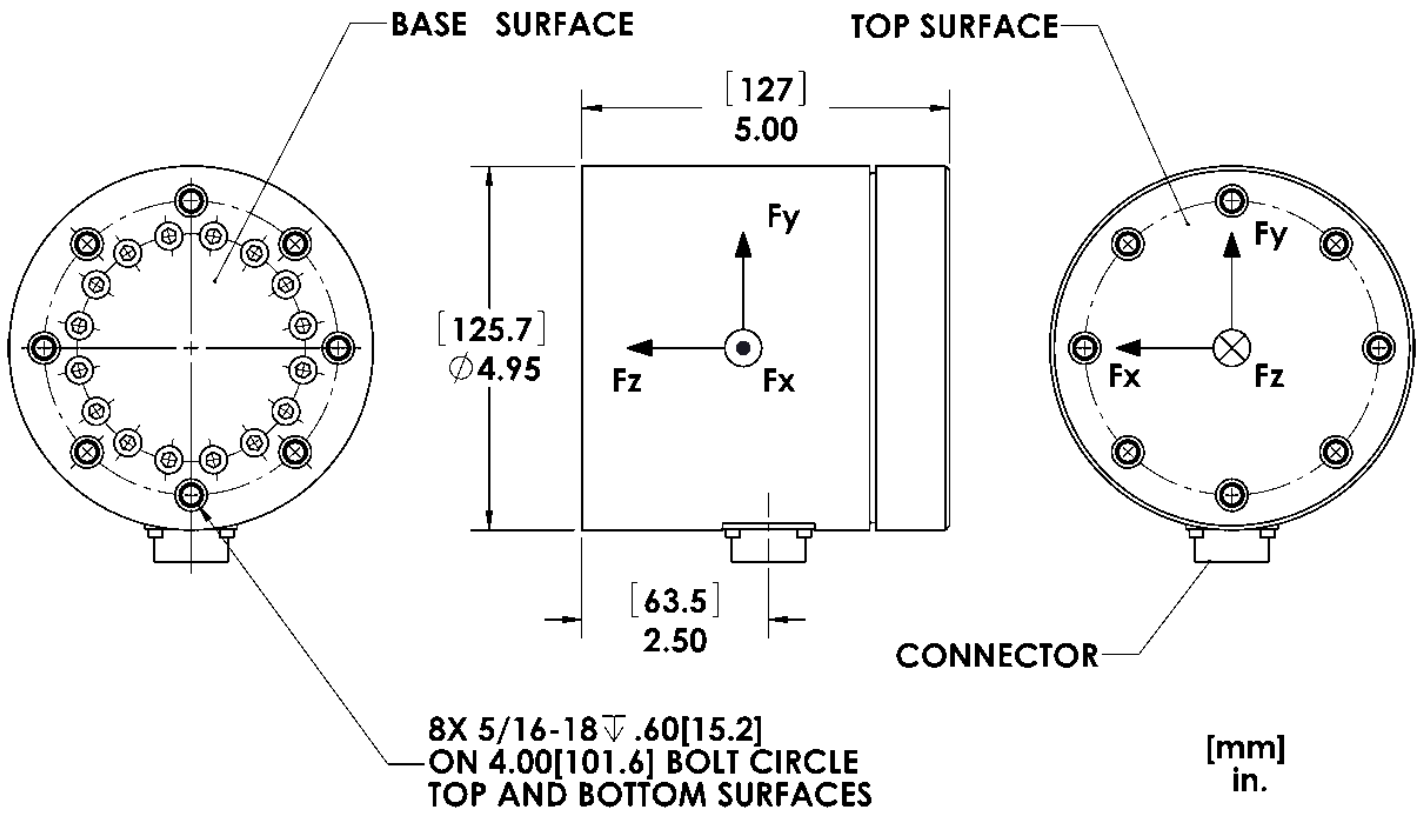
TECHNICAL DRAWINGS

Footprint Drawing (click on image to enlarge)

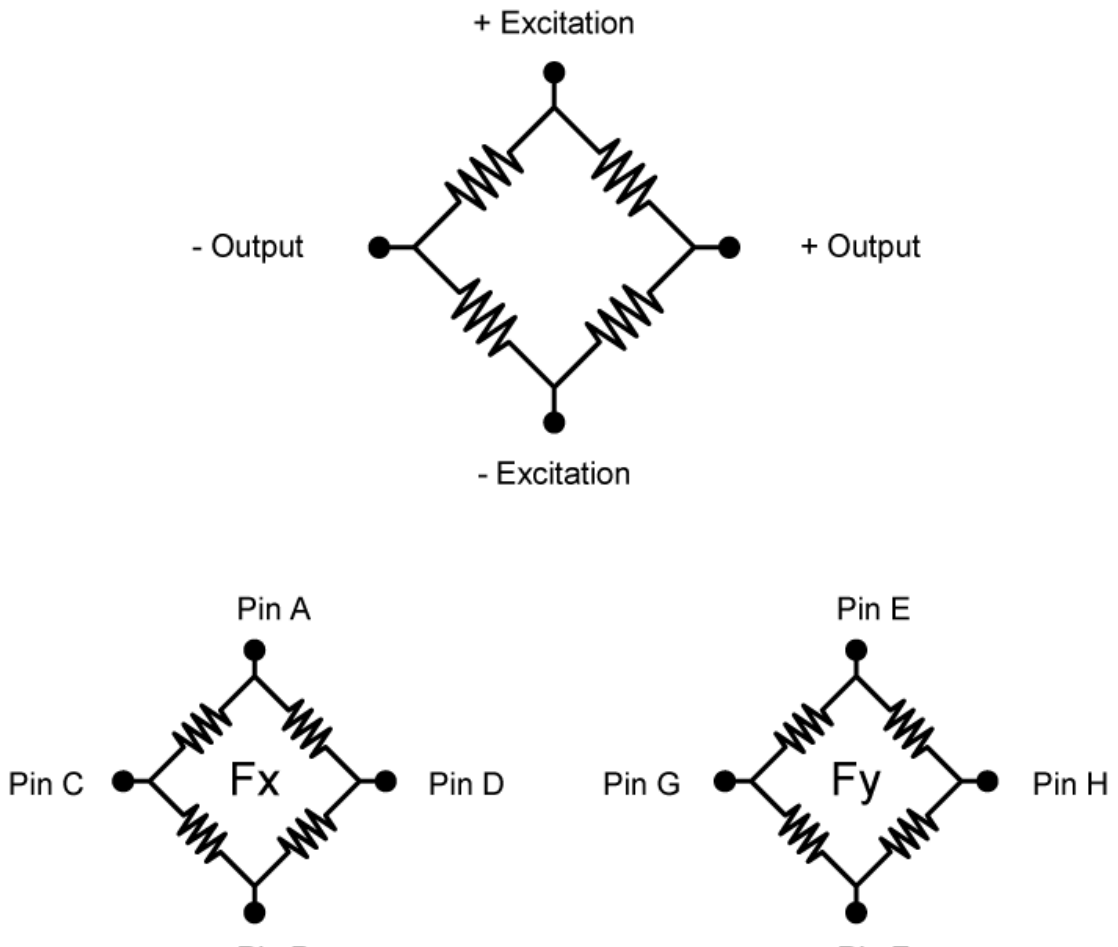
Electrical Drawing (click on image to enlarge)

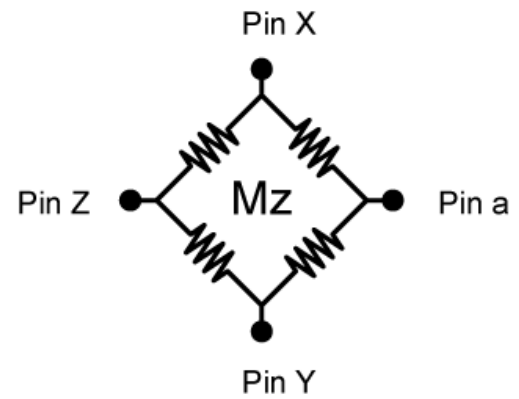
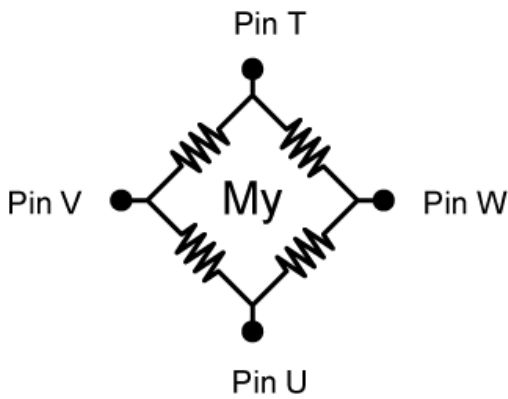
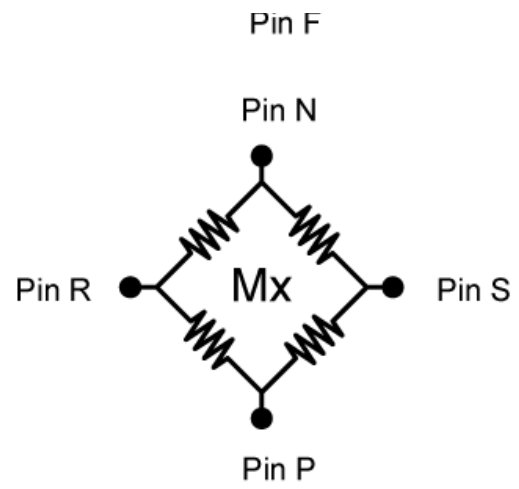
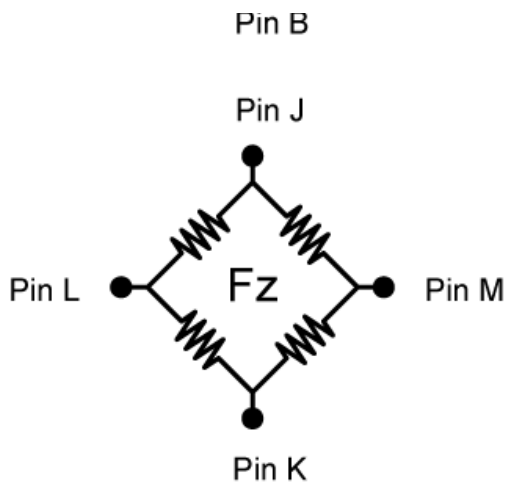
TECHNICAL DRAWING

Footprint Drawing



Electrical Drawing





Bridges Fz; Mz = 700 ohms
 Bridges Fx; Fy; Mx; My; = 350 ohms
Connector Type:
 Souriau 851-02E16-26P50-44