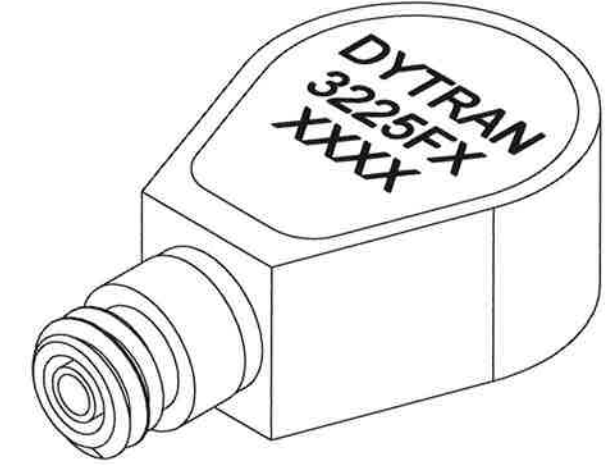
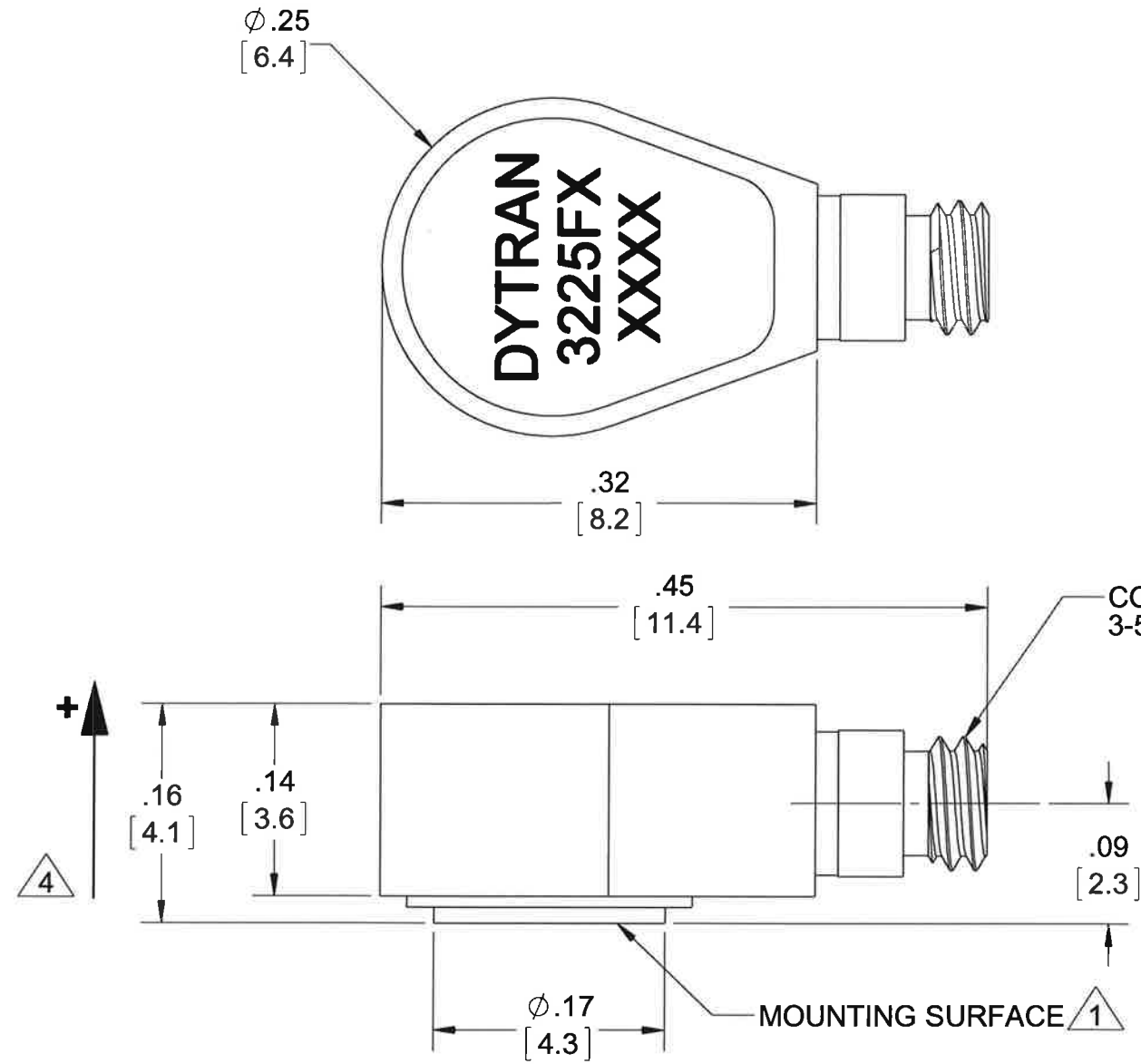


PROPRIETARY AND CONFIDENTIAL

THE INFORMATION CONTAINED IN THIS DRAWING IS THE SOLE PROPERTY OF DYTRAN INSTRUMENTS INC. ANY REPRODUCTION IN PART OR AS A WHOLE WITHOUT THE WRITTEN PERMISSION OF DYTRAN INSTRUMENTS INC. IS PROHIBITED

REVISIONS

REV.	ECN	DESCRIPTION	BY/DATE	CHK	APPR
A	11357	INITIAL RELEASE	JS 10/01/14	EM	[Signature]



MODEL NO.	REV	ECN	DATE	SENSITIVITY
3225F4	A	11357	09/11/14	1 mV/g
3225F5	A	11357	09/11/14	10 mV/g
3225F6	A	11357	09/11/14	5 mV/g

5. LOW OUT-GASSING

4 ARROW INDICATES DIRECTION OF ACCELERATION FOR POSITIVE OUTPUT

3. CASE AND CONNECTOR MATERIAL: TITANIUM.

2. WEIGHT: 0.6 GRAMS MAX.

1 RECOMMENDED MOUNTING ADHESIVE: CYANOACRYLATE OR DYTRAN MOUNTING WAX MODEL 6273

NOTES: UNLESS OTHERWISE SPECIFIED

UNLESS OTHERWISE SPECIFIED:  
 INTERPRET DIM & TOL PER ASME Y14.5M - 1994.  
 REMOVE BURRS.  
 COUNTERSINK INTERNAL THDS 90° TO MAJOR DIA.  
 CHAM EXT THDS 45° TO MINOR DIA.  
 THD LENGTHS AND DEPTHS ARE FOR MIN FULL THDS.  
 DIMENSIONS APPLY AFTER FINISHING.

ALL MACHINED SURFACES. <sup>63/</sup>  
 TOTAL RUNOUT WITHIN .005.  
 BREAK SHARP EDGES .005 TO .010.  
 MACHINED FILLET RADII .005 TO .015.  
 WELDING SYMBOLS PER AWS A2.4.  
 ABBREVIATIONS PER MIL-STD-12.

UNLESS OTHERWISE SPECIFIED:  
 DIMENSIONS ARE IN INCHES.  
 DIMENSIONS IN BRACKETS [ ] ARE IN MILLIMETERS TOLERANCES ARE:

DECIMALS	METRIC	ANGLES
.XX ±.03	.X ± 0.8	± 1°
.XXX ±.010	.XX ± 0.25	

APPROVALS		DATE
ORIG	EC	09/03/14
CHK	EM	10/3/14
APP	[Signature]	10/3/14

DO NOT SCALE DRAWING

THIRD ANGLE PROJECTION USA

**MASTER COPY ONLY IF IN RED**  
 DYTRAN INSTRUMENTS, INC. Chatsworth, CA

TITLE: **OUTLINE/INSTALLATION DRAWING, MODEL 3225F4**

SIZE	CAGE CODE	DWG NO	REV
B	2W033	127-3225F4	A

SCALE: 8:1 SHEET 1 OF 1

<b>MODEL NUMBER</b> <b>3225F6</b>	<b>PERFORMANCE SPECIFICATION</b>	<b>DOC NO.</b> <b>PS3225F6</b>
--------------------------------------	----------------------------------	-----------------------------------

ACCELEROMETER, IEPE

REV D, ECN 13008, 10/26/16



- **MINIATURE SIZE**
- **3-56 CONNECTOR**
- **LOW OUT-GASSING**

**This family also includes:**

Model	Sensitivity (mV/g)	Range (g's)	Resolution (Grms)	Oper. Temp (°F)	TC
3225F4	1	5000	0.07	-60 to +250	0.35 to 1.0
3225F5	10	500	0.007	-60 to +250	0.35 to 1.0

Refer to the performance specifications of the products in this family for detailed description.

**Supplied Accessories**

- 1) Model 6591A installation wrench
- 2) Model 6298 small petro mounting wax
- 3) Accredited calibration certificate (ISO 17025)

**Notes:**

- [1] Flat mounting surface for adhesive mount.
- [2] Mates with Dytran cable 6003AXX or 6003BXX (XX is cable length in feet)
- [3] Measured at 100 Hz, 1 grms per ISA RP 37.2.
- [4] Percent of full scale or any lesser range, zero based best-fit straight line method.
- [5] Do not apply power to this device without current limiting, 20mA max, to do so will destroy the integral IC amplifier
- [6] In the interest of constant product improvement, we reserve the right to change specifications without notice.

**PHYSICAL**

		ENGLISH		SI	
Weight, Max		0.02	oz	0.60	grams
Mounting Provision		[1]		[1]	
Connector [2]	Radially Mounted	3-56		3-56	
Case Material		Titanium		Titanium	
Sensing Element	Material Mode	Quartz		Quartz	
		Shear		Shear	

**PERFORMANCE**

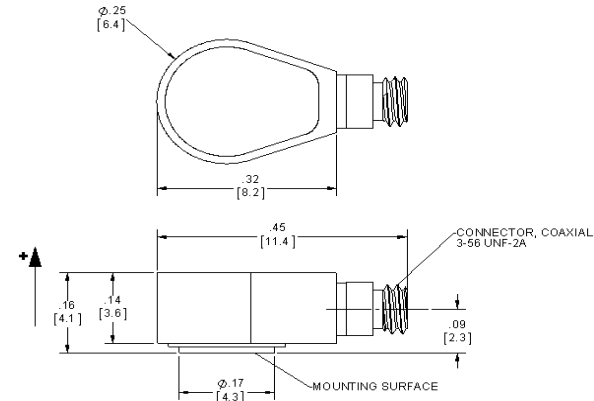
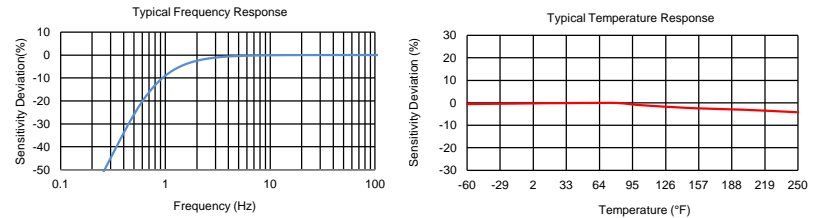
		ENGLISH		SI	
Sensitivity, ± 10% [3]		5	mV/g	0.51	mV/m/s <sup>2</sup>
Range F.S For ± 5 Volts Out		± 1000	g's	± 9810	m/s <sup>2</sup>
Frequency Response, +/- 5%		1.4 to 5000	Hz	1.4 to 5000	Hz
	+/-10%	1.0 to 10000	Hz	1.0 to 10000	Hz
Mounted Resonant Frequency		> 60	kHz	> 60	kHz
Amplitude Non-Linearity [4]		1	% F.S	1	% F.S
Transverse Sensitivity, Max		5	%	5	%
Noise Resolution		0.014	grms	0.14	m/s <sup>2</sup> rms
Strain Sensitivity @250/μe		0.0005	g/μe	0.0049	m/s <sup>2</sup> /μe
Spectral Noise	1 Hz	920	μGrms/sqr(Hz)	9025	μGrms/s <sup>2</sup> rms/sqr(Hz)
	10 Hz	1400	μGrms/sqr(Hz)	13734	μGrms/s <sup>2</sup> rms/sqr(Hz)
	100 Hz	280	μGrms/sqr(Hz)	2747	μGrms/s <sup>2</sup> rms/sqr(Hz)
	1000 Hz	138	μGrms/sqr(Hz)	1354	μGrms/s <sup>2</sup> rms/sqr(Hz)
	10000 Hz	84	μGrms/sqr(Hz)	824	μGrms/s <sup>2</sup> rms/sqr(Hz)

**ENVIRONMENTAL**

		ENGLISH		SI	
Maximum Vibration		1200	Grms	11772	m/s <sup>2</sup> rms
Maximum Shock		2000	Gpeak	19620	m/s <sup>2</sup> peak
Temperature Range		-60 to +250	°F	-51 to +121	°C
Magnetic Sensitivity at 100 Gauss		0.00005	g/Gauss	0.00049	m/s <sup>2</sup> /Gauss
Environmental Seal		Hermetic		Hermetic	

**ELECTRICAL**

		ENGLISH		SI	
Supply Current/Compliance Voltage Range [5]		2 to 20/+18 to +30	mA/Volts	2 to 20/+18 to +30	mA/Volts
Output Impedance, TYP		100	Ω	100	Ω
Bias Voltage		+7 to +9	VDC	+7 to +9	VDC
Discharge Time Constant		0.35 to 1.0	Sec	0.35 to 1.0	Sec



Units on the line drawing are in inches, units in brackets are in millimeters. Refer to 127-3225F4 for more information.



21592 Marilla Street, Chatsworth, California 91311 Phone: 818.700.7818 Fax: 818.700.7880 www.dytran.com For permission to reprint this content, please contact info@dytran.com