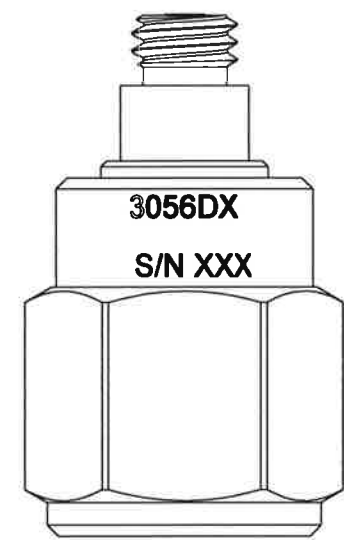
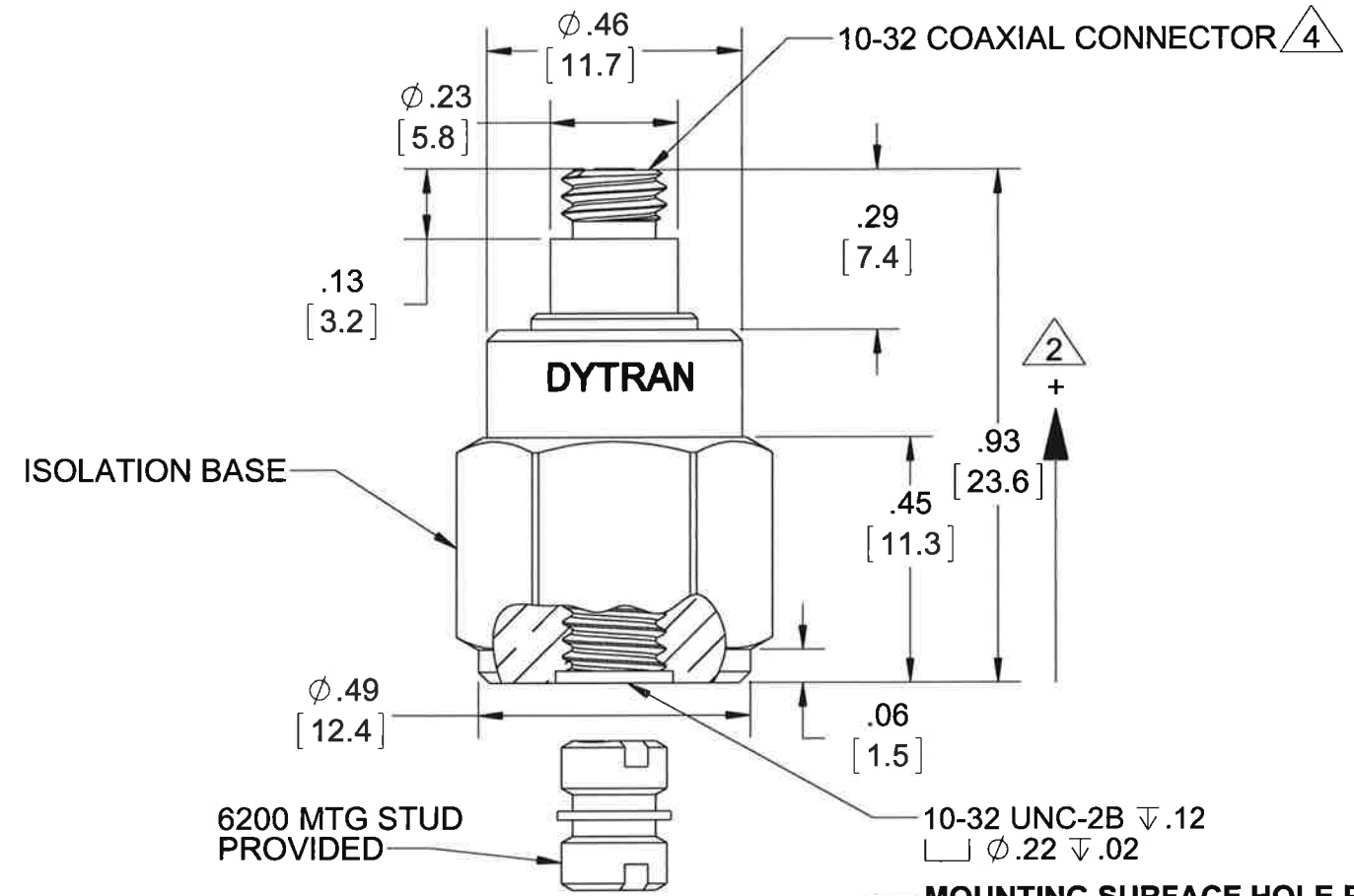
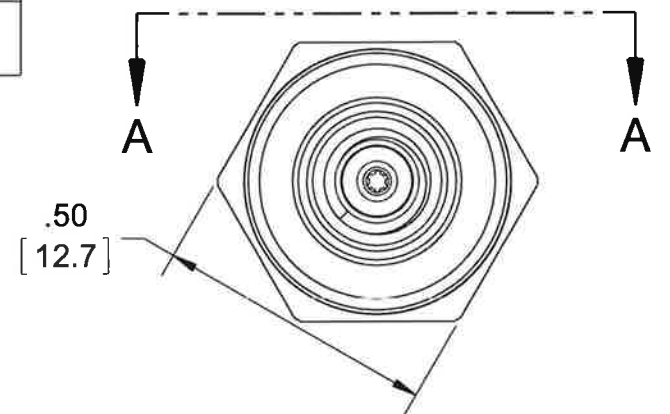


PROPRIETARY AND CONFIDENTIAL

THE INFORMATION CONTAINED IN THIS DRAWING IS THE SOLE PROPERTY OF DYTRAN INSTRUMENTS INC. ANY REPRODUCTION IN PART OR AS A WHOLE WITHOUT THE WRITTEN PERMISSION OF DYTRAN INSTRUMENTS INC. IS PROHIBITED

MODEL	SENSITIVITY
3056D1	10 mV/g
3056D2	100 mV/g
3056D3	500 mV/g
3056D4	20 mV/g
3056D5	50 mV/g
3056D6	200 mV/g
3056D7	1 mV/g
3056D8	5 mV/g

REVISIONS					
REV.	ECN	DESCRIPTION	BY/DATE	CHK	APPR
A	11394	INITIAL RELEASE	RA, 11/06/14	EM	DV
B	11943	REVISED MARKING LOCATION, ADDED VIEW A-A	RA, 05/05/15	MH	LN
C	11983	3056D7 WAS: 5 mV/g, ADDED: 3056D8	LA 05/28/15	<i>[Signature]</i>	MH

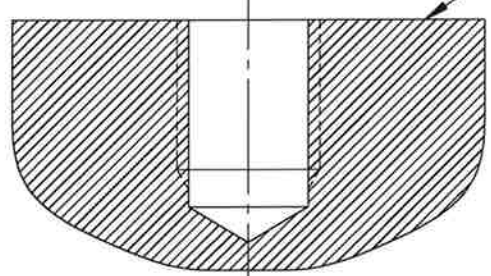


VIEW A-A  
ROTATED 180°CW

6200 MTG STUD PROVIDED

10-32 UNC-2B  $\nabla$ .12  
 $\square$   $\phi$ .22  $\nabla$ .02

**MOUNTING SURFACE HOLE PREPARATION:**  
 SELECT SURFACE FLAT TO .001 TIR  
 TAP 10-32 UNF-2B X .200 MIN THD DEPTH



$\triangle$  4 MATES WITH DYTRAN 6010AXX OR 6011AXX CABLE (XX=LENGTH IS FEET)

3. WEIGHT: 10 GRAMS (APPROX)

$\nabla$  2 ARROW INDICATES ACCELERATION DIRECTION FOR POSITIVE OUTPUT.

1. MATERIAL: TITANIUM ALLOY

NOTES: UNLESS OTHERWISE SPECIFIED

<small>UNLESS OTHERWISE SPECIFIED:          INTERPRET DIM &amp; TOL PER ASME Y14.5M - 1994.          REMOVE BURRS.          COUNTERSINK INTERNAL THDS 90° TO MAJOR DIA.          CHAM EXT THDS 45° TO MINOR DIA.          THD LENGTHS AND DEPTHS ARE FOR MIN FULL THDS.          DIMENSIONS APPLY AFTER FINISHING.          ALL MACHINED SURFACES.          TOTAL RUNOUT WITHIN .005.          BREAK SHARP EDGES .005 TO .010.          MACHINED FILLET RADII .005 TO .015.          WELDING SYMBOLS PER AWS A2.4.          ABBREVIATIONS PER MIL-STD-12.</small>	UNLESS OTHERWISE SPECIFIED: DIMENSIONS ARE IN INCHES. TOLERANCES ARE:		DECIMALS .XX $\pm$ .01 .XXX $\pm$ .005	ANGLES $\pm$ 1°
	APPROVALS		DATE	
	DRAWN	RA	10/29/14	
	DESIGN	RT	08/28/14	
	CHK	EM	12/12/14	
APP	DV	12/17/14		
DO NOT SCALE DRAWING		THIRD ANGLE PROJECTION		

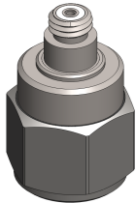
**MASTER**  
 ONLY IF IN RED  
 Chatsworth, CA

TITLE: **OUTLINE/INSTALLATION, MODEL 3056DX**

SIZE <b>B</b>	CAGE CODE <b>2W033</b>	DWG NO <b>127-3056D</b>	REV <b>C</b>
SCALE: 3:1	PART NO:	SHEET 1 OF 1	

**IEPE ACCELEROMETER**

REV E, ECN 12342, 11/17/15



- HERMETICALLY SEALED
- BASE ISOLATED

**PHYSICAL**

Weight  
Connector  
Mounting Provision  
Material, Housing/Connector  
Sensing Element  
Element Style

	ENGLISH		SI
Type	Tapped Hole		
Weight	0.35 oz		10 grams
Connector	10-32		10-32
Mounting Provision	10-32 X .150 ↓		10-32 X .150 ↓
Material, Housing/Connector	Titanium		Titanium
Sensing Element	Ceramic		Ceramic
Element Style	Planar Shear		Planar Shear

**PERFORMANCE**

Sensitivity, ±5% [1]  
Range for ± 5 Volts Output  
Frequency Response, ±10%  
Resonant Frequency  
Broad Band Resolution  
Linearity [2]  
Maximum Transverse Sensitivity  
Strain Sensitivity @ 250µε

Sensitivity	10 mV/G		1.0 mV/m/s <sup>2</sup>
Range for ± 5 Volts Output	500 G peak		4905 m/s <sup>2</sup>
Frequency Response, ±10%	1 to 10,000 Hz		1 to 10,000 Hz
Resonant Frequency	> 36 kHz		> 36 kHz
Broad Band Resolution	0.0040 G rms		0.0392 m/s <sup>2</sup> rms
Linearity [2]	±1 % F.S.		±1 % F.S.
Maximum Transverse Sensitivity	5 %		5 %
Strain Sensitivity @ 250µε	0.001 G/µε		0.01 m/s <sup>2</sup> /µε

**ENVIRONMENTAL**

Maximum Vibration  
Maximum Shock  
Temperature Range  
Seal

Maximum Vibration	600 G peak		5886 m/s <sup>2</sup> peak
Maximum Shock	3000 G peak		29430 m/s <sup>2</sup> peak
Temperature Range	-67 to 250 °F		-55 to 121 °C
Seal	HERMETIC		HERMETIC

**ELECTRICAL**

Supply Current Range [3]  
Compliance Voltage Range  
Output Impedance, Typ  
Bias Voltage  
Discharge Time Constant  
Electrical Isolation

Supply Current Range [3]	2 to 20 mA		2 to 20 mA
Compliance Voltage Range	+18 to +30 Volts		+18 to +30 Volts
Output Impedance, Typ	100 Ω		100 Ω
Bias Voltage	+9 to +13 VDC		+9 to +13 VDC
Discharge Time Constant	.5 to 1.5 Sec		.5 to 1.5 Sec
Electrical Isolation	10 GΩ, min		10 GΩ, min

**This family also includes:**

Model	Sensitivity (mV/g)	Frequency Response (Hz)	Time Constant (Sec)	Operating Temp (°F)
3056D2	100	1 to 10000	0.5 to 1.5	-67 to +250
3056D3	500	1 to 10000	0.5 to 1.5	-67 to +225
3056D4	20	1 to 10000	0.5 to 1.5	-67 to +250
3056D5	50	1 to 10000	0.5 to 1.5	-67 to +250
3056D6	200	1 to 10000	0.5 to 1.5	-67 to +225
3056D7	1	1 to 10000	0.5 to 1.5	-67 to +250
3056D8	5	1 to 10000	0.5 to 1.5	-67 to +250

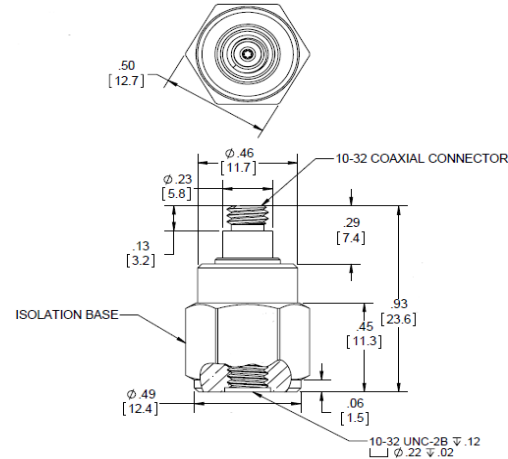
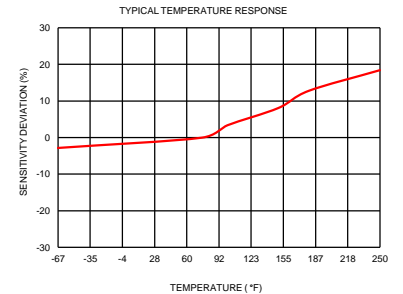
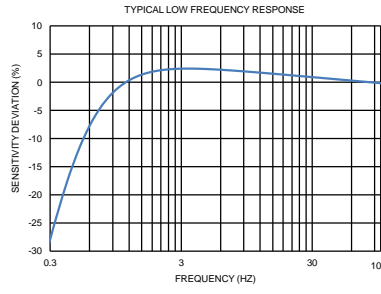
Refer to the performance specifications of the products in this family for detailed description

**Supplied Accessories:**

- 1) Accredited calibration certificate (ISO 17025)

**Notes:**

- [1] Measured at 100Hz, 1 Grms per ISA RP 37.2.
- [2] Measured using zero-based straight line method, % of F.S. or any lesser range.
- [3] Do not apply power to this system without current limiting, 20 mA MAX. To do so will destroy the IC charge amplifier.
- [4] In the interest of constant product improvement, we reserve the right to change specifications without notice.



Units on the line drawing are in inches, units in brackets are in millimeters. Refer to 127-3056D for more information.

