

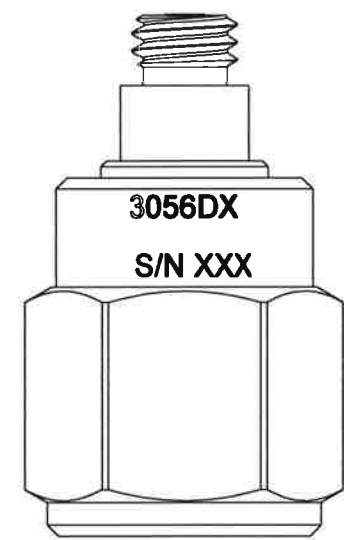
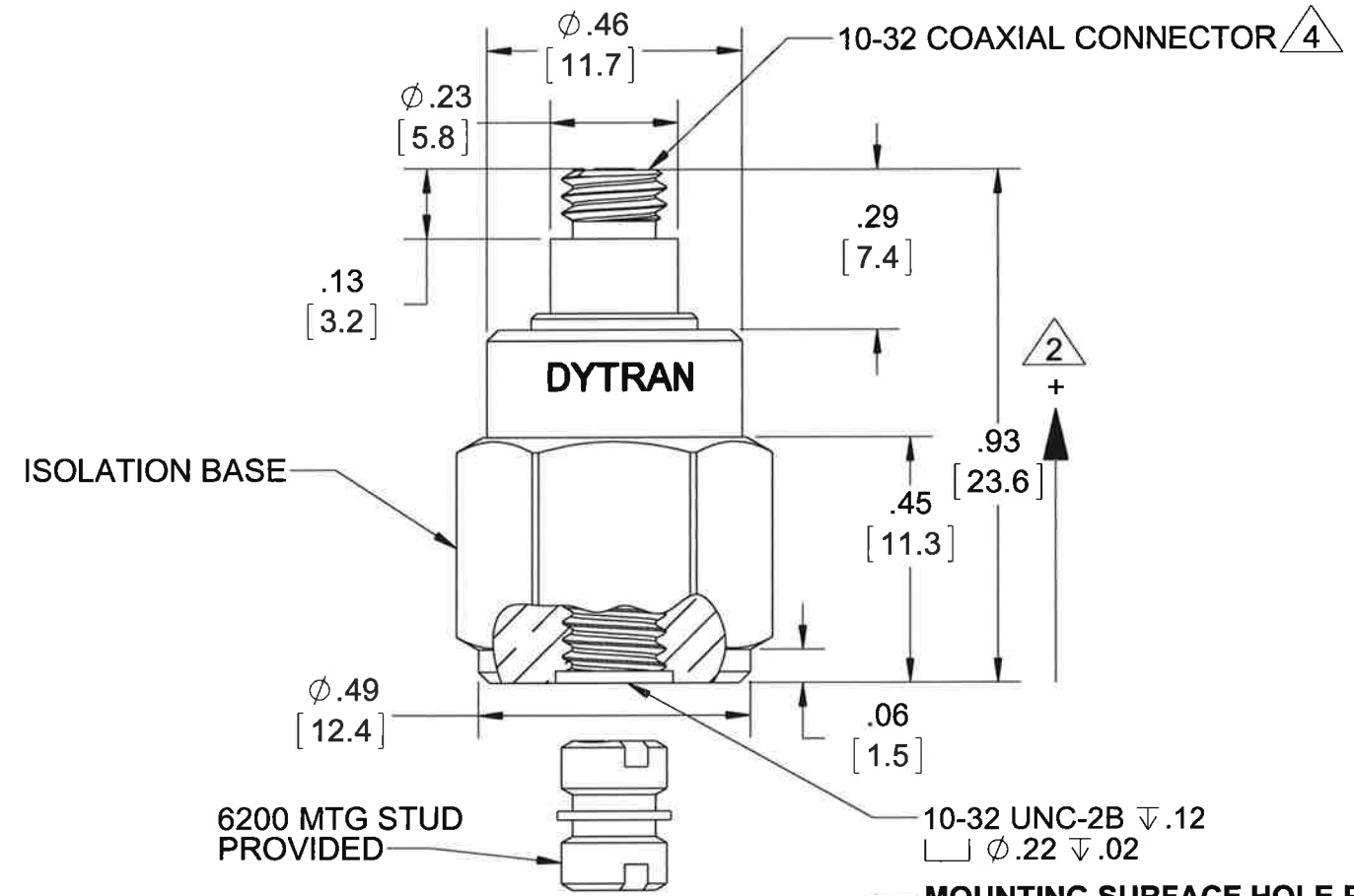
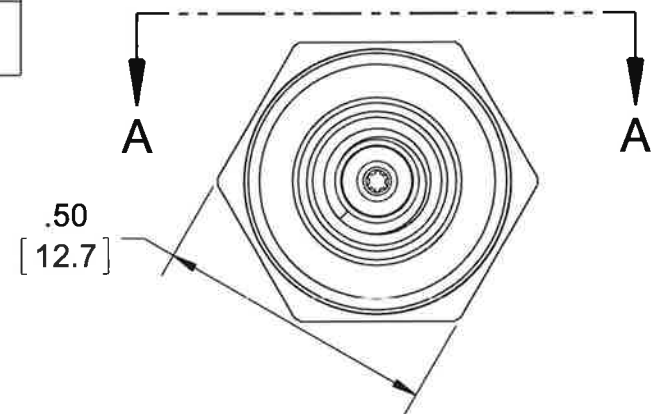
PROPRIETARY AND CONFIDENTIAL

THE INFORMATION CONTAINED IN THIS DRAWING IS THE SOLE PROPERTY OF DYTRAN INSTRUMENTS INC. ANY REPRODUCTION IN PART OR AS A WHOLE WITHOUT THE WRITTEN PERMISSION OF DYTRAN INSTRUMENTS INC. IS PROHIBITED

REVISIONS

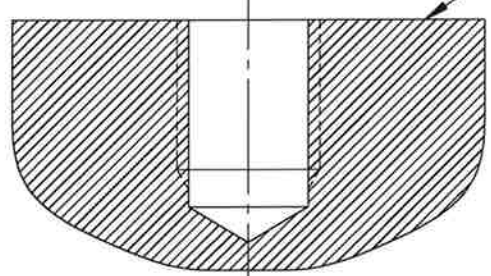
REV.	ECN	DESCRIPTION	BY/DATE	CHK	APPR
A	11394	INITIAL RELEASE	RA, 11/06/14	EM	DV
B	11943	REVISED MARKING LOCATION, ADDED VIEW A-A	RA, 05/05/15	MH	LN
C	11983	3056D7 WAS: 5 mV/g, ADDED: 3056D8	LA 05/28/15	<i>[Signature]</i>	MH

MODEL	SENSITIVITY
3056D1	10 mV/g
3056D2	100 mV/g
3056D3	500 mV/g
3056D4	20 mV/g
3056D5	50 mV/g
3056D6	200 mV/g
3056D7	1 mV/g
3056D8	5 mV/g



10-32 UNC-2B  $\nabla$ .12  
 $\square$   $\phi$ .22  $\nabla$ .02

**MOUNTING SURFACE HOLE PREPARATION:**  
 SELECT SURFACE FLAT TO .001 TIR  
 TAP 10-32 UNF-2B X .200 MIN THD DEPTH



UNLESS OTHERWISE SPECIFIED:  
 INTERPRET DIM & TOL PER ASME Y14.5M - 1994.  
 REMOVE BURRS.  
 COUNTERSINK INTERNAL THDS 90° TO MAJOR DIA.  
 CHAM EXT THDS 45° TO MINOR DIA.  
 THD LENGTHS AND DEPTHS ARE FOR MIN FULL THDS.  
 DIMENSIONS APPLY AFTER FINISHING.

ALL MACHINED SURFACES.  
 TOTAL RUNOUT WITHIN .005.  
 BREAK SHARP EDGES .005 TO .010.  
 MACHINED FILLET RADII .005 TO .015.  
 WELDING SYMBOLS PER AWS A2.4.  
 ABBREVIATIONS PER MIL-STD-12.

APPROVALS		DATE
DRAWN	RA	10/29/14
DESIGN	RT	08/28/14
CHK	EM	12/12/14
APP	DV	12/17/14

DO NOT SCALE DRAWING

UNLESS OTHERWISE SPECIFIED:  
 DIMENSIONS ARE IN INCHES.  
 TOLERANCES ARE: DECIMALS .XX  $\pm$ .01 .XXX  $\pm$ .005 ANGLES  $\pm$ 1°

**DYTRAN MASTER INSTRUMENTS, INC.** Chatsworth, CA  
 ONLY IT IN RED

TITLE: **OUTLINE/INSTALLATION, MODEL 3056DX**

SIZE <b>B</b>	CAGE CODE <b>2W033</b>	DWG NO <b>127-3056D</b>	REV <b>C</b>
SCALE: 3:1	PART NO:	SHEET 1 OF 1	

4 MATES WITH DYTRAN 6010AXX OR 6011AXX CABLE (XX=LENGTH IS FEET)

3. WEIGHT: 10 GRAMS (APPROX)

2 ARROW INDICATES ACCELERATION DIRECTION FOR POSITIVE OUTPUT.

1. MATERIAL: TITANIUM ALLOY

NOTES: UNLESS OTHERWISE SPECIFIED

<b>Model Number</b> 3056D2	<b>PERFORMANCE SPECIFICATIONS</b>	<b>DOC NO</b> PS3056D2
-------------------------------	-----------------------------------	---------------------------

	<b>IEPE ACCELEROMETER</b>	REV G, ECN 13920, 12/20/17
--	---------------------------	----------------------------



- HERMETICALLY SEALED
- BASE ISOLATED

**PHYSICAL**

Weight  
Connector  
Mounting Provision  
Material, Housing/Connector  
Sensing Element  
Element Style

Type  
Tapped Hole

ENGLISH		SI	
0.35	oz	10	grams
10-32		10-32	
10-32 X .150 ↓		10-32 X .150 ↓	
Titanium		Titanium	
Ceramic		Ceramic	
Planar Shear		Planar Shear	

**PERFORMANCE**

Sensitivity, ±5% [1]  
Range for ± 5 Volts Output  
Frequency Response, ±5%  
Frequency Response, ±10%  
Resonant Frequency  
Broad Band Resolution  
Linearity [2]  
Maximum Transverse Sensitivity  
Strain Sensitivity @ 250µε

100	mV/G	10.2	mV/m/s <sup>2</sup>
50	G peak	491	m/s <sup>2</sup>
1 to 10,000	Hz	1 to 10,000	Hz
1 to 12,000	Hz	1 to 12,000	Hz
> 36	kHz	> 36	kHz
0.0004	G rms	0.004	m/s <sup>2</sup> rms
±1	% F.S.	±1	% F.S.
5	%	5	%
0.001	G/µε	0.01	m/s <sup>2</sup> /µε

**ENVIRONMENTAL**

Maximum Vibration  
Maximum Shock  
Temperature Range  
Seal

400	G peak	3924	m/s <sup>2</sup> peak
2000	G peak	19620	m/s <sup>2</sup> peak
-67 to 250	°F	-55 to 121	°C
HERMETIC		HERMETIC	

**ELECTRICAL**

Supply Current Range [3]  
Compliance Voltage Range  
Output Impedence, Typ  
Bias Voltage  
Discharge Time Constant  
Electrical Isolation

2 to 20	mA	2 to 20	mA
+18 to +30	Volts	+18 to +30	Volts
100	Ω	100	Ω
+9 to +13	VDC	+9 to +13	VDC
.5 to 1.5	Sec	.5 to 1.5	Sec
10	GΩ,min	10	GΩ,min

**This family also includes:**

Model	Sensitivity (mV/g)	Frequency Response (Hz)	Time Constant (Sec)	Operating Temp (°F)
3056D1	10	1 to 10000	0.5 to 1.5	-67 to +250
3056D3	500	1 to 10000	0.5 to 1.5	-67 to +225
3056D4	20	1 to 10000	0.5 to 1.5	-67 to +250
3056D5	50	1 to 10000	0.5 to 1.5	-67 to +250
3056D6	200	1 to 10000	0.5 to 1.5	-67 to +225
3056D7	1	1 to 10000	0.5 to 1.5	-67 to +250
3056D8	5	1 to 10000	0.5 to 1.5	-67 to +250

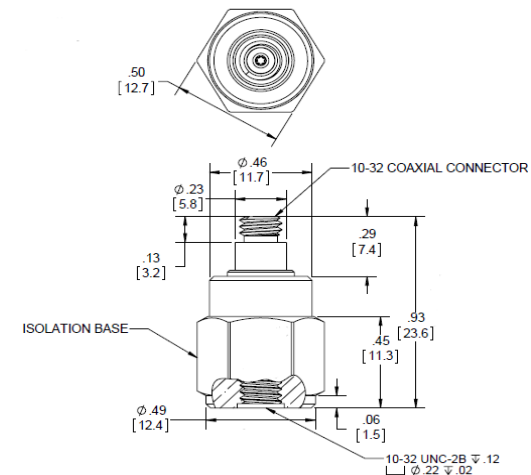
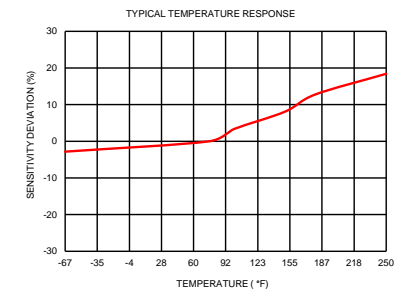
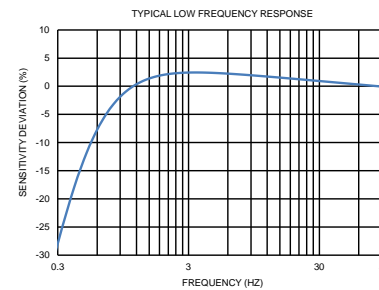
Refer to the performance specifications of the products in this family for detailed description

**Supplied Accessories:**

- 1) Accredited calibration certificate (ISO 17025)
- 2) Model 6200 mounting stud, QTY 1

**Notes:**

- [1] Measured at 100Hz, 1 Grms per ISA RP 37.2.
- [2] Measured using zero-based straight line method, % of F.S. or any lesser range.
- [3] Do not apply power to this system without current limiting, 20 mA MAX. To do so will destroy the IC charge amplifier.
- [4] In the interest of constant product improvement, we reserve the right to change specifications without notice.



Units on the line drawing are in inches, units in brackets are in millimeters. Refer to 127-3056D for more information.



21592 Marilla Street, Chatsworth, California 91311 Phone: 818.700.7818 Fax: 818.700.7880 www.dytran.com  
For permission to reprint this content, please contact info@dytran.com