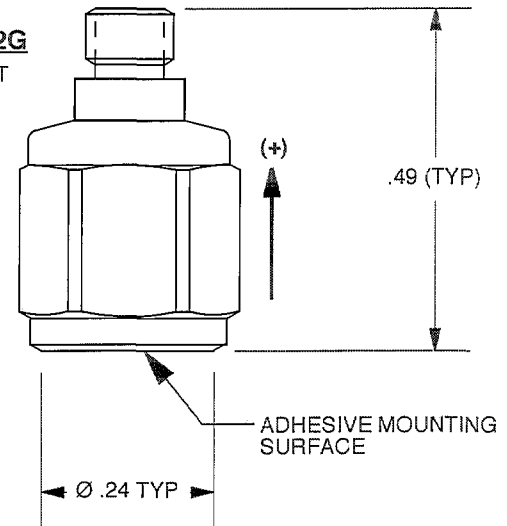
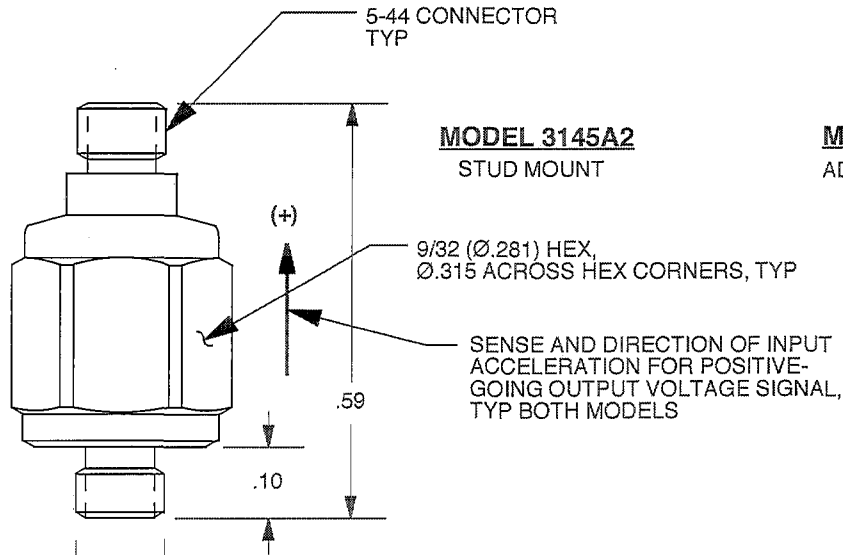
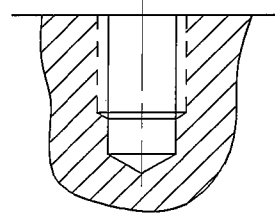


REV	ECN	DESCRIPTION	BY/DATE	CHK	APPR
A	10271	MATERIAL IS: 304L STAINLESS STEEL WAS: TITANIUM ALLOY	RLA 8/16/13	MH	AS



THD 5-40, UNC-2A



MOUNTING PORT PREPARATION:
DRILL #38 (Ø.101) X .200 MIN DEPTH
TAP 5-40 X .140 MIN DEPTH THD

1. MATERIAL: 304L STAINLESS STEEL
2. SEAL-HERMETIC, ALL WELDED.
3. WEIGHT-MOD 3145A2-2.3 GRAMS.,
MOD 3145A2G-2.1 GRAMS
4. TO INSTALL MOD 3145A2, TORQUE IN PLACE
WITH 10 LB.-INCHES.
5. SUGGESTED ADHESIVE TYPE FOR MODEL
3145A2G-CYANOACRYLATE "INSTANT" BOND.

EXCEPT AS OTHERWISE NOTED

ALL DIMENSIONS IN INCHES
TOLERANCE: .XXX = ± .XX = ± .01

SURFACE FINISH
EXCEPT AS NOTED ✓

BREAK EDGES TO DEBURR
RADIUS OR CHAMFER

△ THESE DIAS ⊙ TO T.I.R.

FILLETS - MAX RAD.

DYTRAN INSTRUMENTS, INC.		MASTER ONLY IF IN RED		CHATSWORTH, CA.	
SCALE 4X	REV -	DATE SEE REV BLK	ECN -		
DATE 3/24/03	PART NO.				
DRAWN N.C.	CHECKED R.A.	MAT'L			
APPROVED N.C.	3/24/03	NEXT ASSEMBLY	USED ON 3145A2 & 3145A2G		
TITLE OUTLINE/INSTALLATION DRAWING MODELS 3145A2 & 3145A2G			DWG NO. 127-3145A2		
			SHEET 1 OF 1		



- MINIATURE DESIGN
- HERMETICALLY SEALED

PHYSICAL

Weight
Connector
Mounting Provision
Material, Housing/Connector
Sensing Element
Element Style

ENGLISH		SI	
0.07	oz	2.1	grams
5-44 Coaxial		5-44 Coaxial	
Adhesive Mount		Adhesive Mount	
300 Series S.S.		300 Series S.S.	
Ceramic		Ceramic	
Planar Shear		Planar Shear	

PERFORMANCE

Sensitivity, ±10% [1]
Range for ± 5 Volts Output
Frequency Response, ± 10%
Resonant Frequency
Equivalent Electrical Noise Floor
Linearity, [2]
Maximum Transverse Sensitivity
Strain Sensitivity @ 250µε

5	mV/g	0.51	mV/m/s ²
1,000	g	9810	m/s ²
0.8 to 10,000	Hz	0.8 to 10,000	Hz
> 45	kHz	> 45	kHz
0.01	Grms	0.10	m/s ² rms
±1	% F.S.	±1	% F.S.
5	%	5	%
0.001	g/µε	0.01	m/s ² /µε

ENVIRONMENTAL

Maximum Vibration
Maximum Shock
Temperature Range
Seal

1000	G _{peak}	9810	m/s ² peak
3000	G _{peak}	29430	m/s ² peak
-60 to +250	°F	-51 to 121	°C
Hermetic		Hermetic	

ELECTRICAL

Supply Current Range [3]
Compliance Voltage Range
Output Impedance, Typ
Bias Voltage
Discharge Time Constant
Ground Isolation

2 to 20	mA	2 to 20	mA
+18 to +30	Volts	+18 to +30	Volts
150	Ω	150	Ω
+11 to +13	VDC	+11 to +13	VDC
0.5 to 2.0	Sec	0.5 to 2.0	Sec
Case Ground		Case Ground	

This family also includes:

Model	Sensitivity (mV/g)	Frequency Response (Hz)	Time Constant (Sec)	Operating Temp (°F)

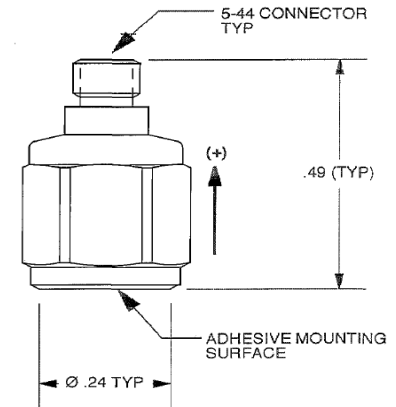
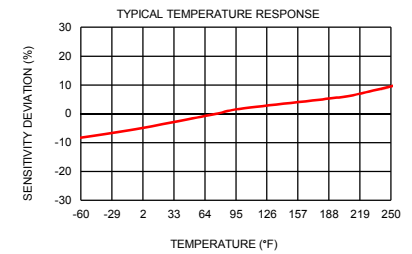
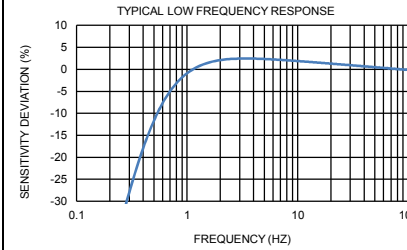
Refer to the performance specifications of the products in this family for detailed description

Supplied Accessories:

- 1) Accredited calibration certificate (ISO 17025)

Notes:

- [1] Measured at 100Hz, 1 Grms per ISA RP 37.2.
- [2] Measure using zero-based straight line method, % of F.S. or any lesser range.
- [3] Do not apply power to this system without current limiting, 20 mA MAX. To do so will destroy the IC charge amplifier.



Units on the line drawing are in inches, units in brackets are in millimeters. Refer to 127-3145A2 for more information.

