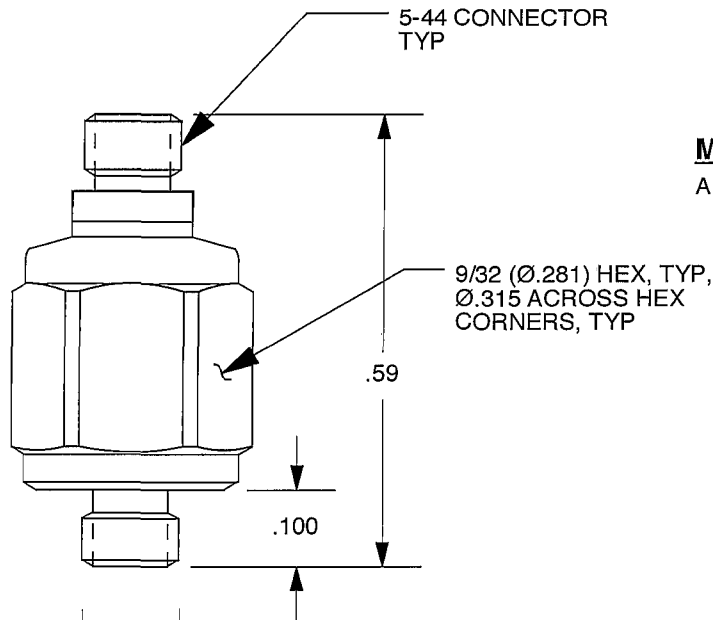


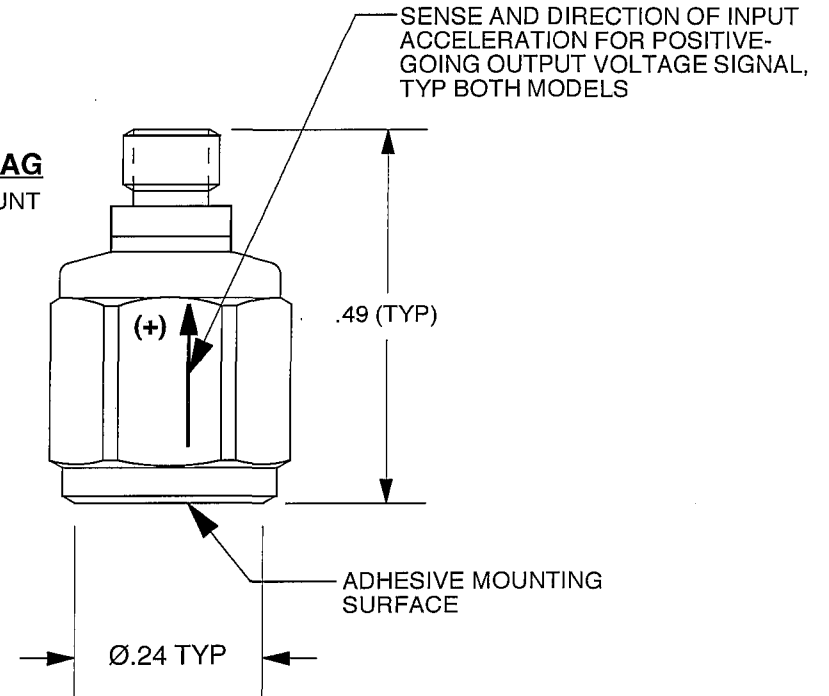
REV	ECN	DESCRIPTION	BY/DATE	CHK	APPR
B	10271	MATERIAL IS: 304L STAINLESS STEEL WAS: TITANIUM ALLOY	RLA 8/16/13	MH	AS

**MODEL 3145A**  
STUD MOUNT



THD 5-40, UNC-2A

**MODEL 3145AG**  
ADHESIVE MOUNT



**MOUNTING PORT PREPARATION:**  
DRILL #38 (Ø.1015) X.200 MIN DEPTH  
TAP 5-40 X .140 MIN DEPTH THD

1. MATERIAL: 304L STAINLESS STEEL
2. SEAL-HERMETIC, ALL WELDED.
3. WEIGHT-MOD 3145A-2.3 GRAMS  
MOD 3145AG-2.1 GRAMS
4. TO INSTALL MOD 3145A, TORQUE IN PLACE WITH 10 lb-INCHES.
5. SUGGESTED ADHESIVE TYPE FOR MODEL 3145AG-CYANOACRYLATE "INSTANT BOND".

EXCEPT AS OTHERWISE NOTED	
ALL DIMENSIONS IN INCHES TOLERANCE: .xxx = ± .xx = ± .01	
SURFACE FINISH EXCEPT AS NOTED ✓	
BREAK EDGES TO DEBURR RADIUS OR CHAMFER	
△ THESE DIAS ⊙ TO T.I.R.	
FILLETS -	MAX RAD.

<b>DYTRAN</b> INSTRUMENTS, INC.		<b>MASTER</b> ONLY IF IN RED		CHATSWORTH, CA.	
SCALE 4X	REV -	DATE 3/28/00	ECN -	SEE REV BLK	
DATE 3/28/00	PART NO.				
DRAWN N.C.	CHECKED R.A.	MAT'L			
APPROVED N.C.	2/10/03	NEXT ASSEMBLY		USED ON	
TITLE <b>OUTLINE/INSTALLATION DRAWING MODELS 3145A &amp; 3145AG</b>				DWG NO. <b>127-3145A</b>	
				SHEET OF 1	

<b>Model Number</b> 3145AG	<b>PERFORMANCE SPECIFICATIONS</b>	<b>DOC NO</b> PS3145AG
<b>IEPE ACCELEROMETER</b>		REV B, ECN 11062, 12/16/15



- MINIATURE DESIGN
- HERMETICALLY SEALED

**PHYSICAL**

Weight  
 Connector  
 Mounting Provision  
 Material, Housing/Connector  
 Sensing Element  
 Element Style

ENGLISH		SI	
0.08	oz	2.3	grams
5-44 Coaxial		5-44 Coaxial	
Adhesive		Adhesive	
300 Series S.S.		300 Series S.S.	
Ceramic		Ceramic	
Crystal Shear Mode		Crystal Shear Mode	

**PERFORMANCE**

Sensitivity, ±10% [1]  
 Range for ± 5 Volts Output  
 Frequency Response, ± 10%  
 Resonant Frequency  
 Equivalent Electrical Noise Floor  
 Linearity, [2]  
 Maximum Transverse Sensitivity  
 Strain Sensitivity @ 250µε

100	mV/g	10.19	mV/m/s <sup>2</sup>
50	g	491	m/s <sup>2</sup>
0.8 to 10,000	Hz	0.8 to 10,000	Hz
> 45	kHz	> 45	kHz
0.0004	Grms	0.004	m/s <sup>2</sup> rms
±1	% F.S.	±1	% F.S.
5	%	5	%
0.002	g/µε	0.02	m/s <sup>2</sup> /µε

**ENVIRONMENTAL**

Maximum Vibration  
 Maximum Shock  
 Temperature Range  
 Seal  
 Coefficient of Thermal Sensitivity

600	Gpeak	5886	m/s <sup>2</sup> peak
3000	Gpeak	29430	m/s <sup>2</sup> peak
-60 to +185	°F	-51 to +85	°C
Hermetic		Hermetic	
.04	%/°F	0.07	%/°C

**ELECTRICAL**

Supply Current Range [3]  
 Compliance Voltage Range  
 Output Impedence, Typ  
 Bias Voltage, +9 Volts Nom.  
 Discharge Time Constant  
 Output Signal Polarity for Acceleration Toward Top  
 Ground Isolation

2 to 20	mA	2 to 20	mA
+18 to +30	Volts	+18 to +30	Volts
100	Ω	100	Ω
+11 to +13	VDC	+11 to +13	VDC
0.5 to 2.0	Sec	0.5 to 2.0	Sec
Positive		Positive	
Case Ground		Case Ground	

**This family also includes:**

Model	Sensitivity (mV/g)	Frequency Response (Hz)	Time Constant (Sec)	Operating Temp (°F)

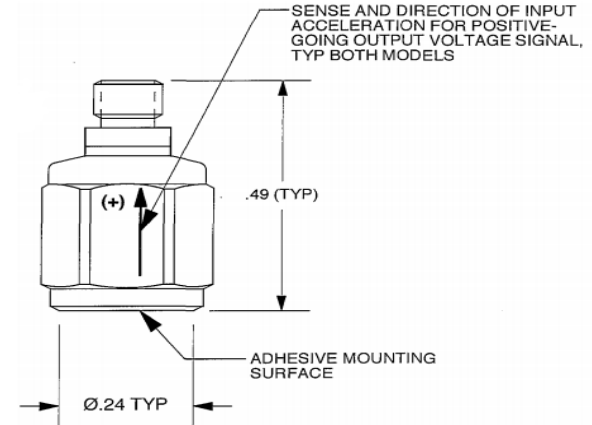
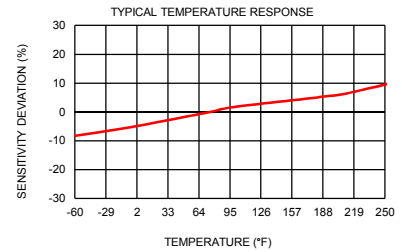
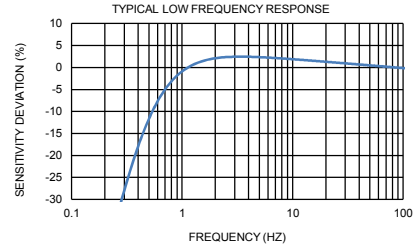
Refer to the performance specifications of the products in this family for detailed description

**Supplied Accessories:**

- 1) Accredited calibration certificate (ISO 17025)

**Notes:**

- [1] Measured at 100Hz, 1 Grms per ISA RP 37.2.
- [2] Measure using zero-based straight line method, % of F.S. or any lesser range.
- [3] Do not apply power to this system without current limiting, 20 mA MAX. To do so will destroy the IC charge amplifier.



Units on the line drawing are in inches, units in brackets are in millimeters. Refer to 127-3145A for more information.



21592 Marilla Street, Chatsworth, California 91311 Phone: 818.700.7818 Fax: 818.700.7880 www.dytran.com  
 For permission to reprint this content, please contact info@dytran.com