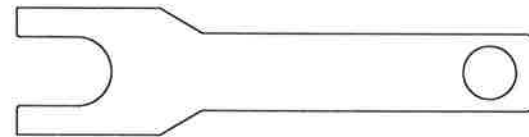
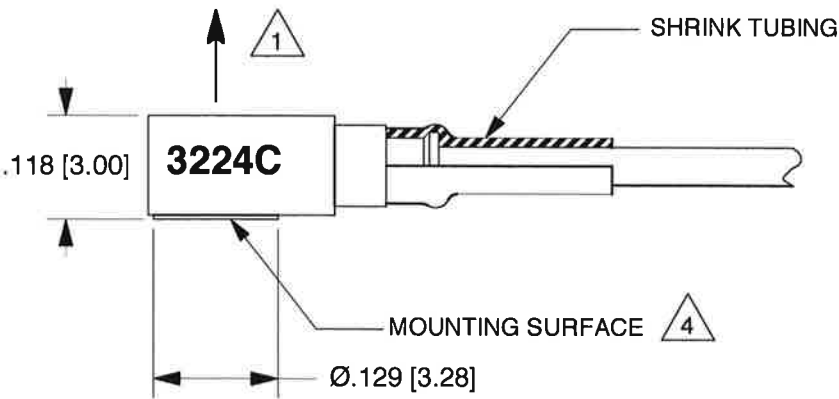
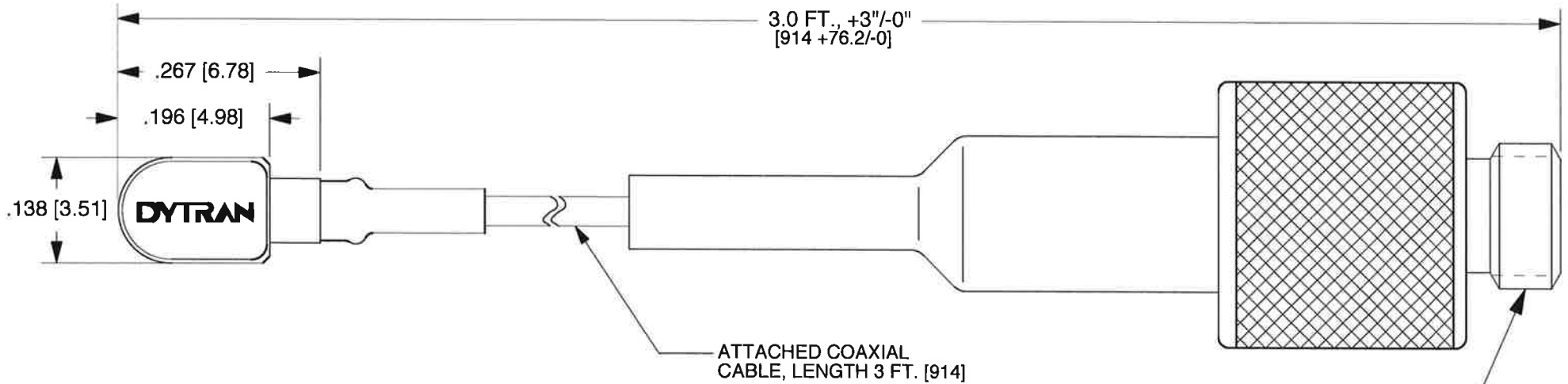
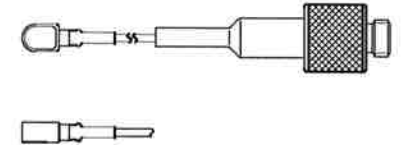


DYTRAN PROPRIETARY AND CONFIDENTIAL  
 THE INFORMATION CONTAINED IN THIS DRAWING IS THE SOLE PROPERTY OF  
 DYTRAN INSTRUMENTS, INC. AND ANY REPRODUCTION IN PART OR AS A  
 WHOLE OR ANY OTHER DISSEMINATION OF THIS INFORMATION WITHOUT THE  
 WRITTEN PERMISSION OF DYTRAN INSTRUMENTS, INC. IS PROHIBITED.

REV	ECN	DESCRIPTION	BY/DATE	CHK	APPR
B	8930	.27 [6.8] WAS: .247 [6.3]	LN, 07/30/12	JS	NC
C	10349	CORRECTED DIMENSIONS OF BODY	NC/09-09-13	AB	RT
D	11370	REVISED CONNECTOR VIEW	RA/10-21-14	EM	LN



MODEL 6725 REMOVAL  
 TOOL, INCLUDED  
 SCALE: 2.5X




**ACTUAL SIZE**

- 4 APPLY ADHESIVE TO THIS SURFACE TO MOUNT.
- 3. CASE AND CONNECTOR MATERIAL: TITANIUM.
- 2. WEIGHT LESS CABLE: 0.2 GRAMS.

- 1 ARROW INDICATES SENSE AND DIRECTION OF INPUT ACCELERATION FOR NEGATIVE GOING OUTPUT SIGNAL.

UNLESS OTHERWISE SPECIFIED:  
 DIMENSIONS ARE IN INCHES. DIMENSIONS IN  
 BRACKETS [ ] ARE IN MILLIMETERS.  
 TOLERANCES ARE:

INCHES	METRIC	ANGLES
.XX ±.03	.X ±0.8	±1°
.XXX ±.005	.XX ±0.25	



# MASTER

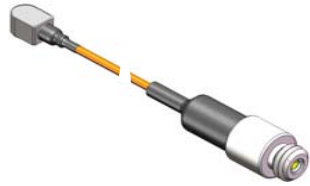
ONLY IF IN RED

CHATSWORTH, CA.

SCALE 5X	DESIGN N.C.	DATE 12/5/11			
DRAWN N.C.	DATE 12/5/08	PART NO. MODEL 3224C			
CHECKED DV	DATE 12/19/11	MAT'L			REV D
APPROVED ANS	DATE 12/19/11	NEXT ASSEMBLY	USED ON		
TITLE <b>OUTLINE/INSTALLATION DRAWING, MODEL 3224C ACCELEROMETER, CHARGE MODE</b>			DWG NO. <b>127-3224C</b>		
SHEET 1 OF 1					

<b>MODEL NUMBER</b> <b>3224C</b>	<b>PERFORMANCE SPECIFICATION</b>	<b>DOC NO.</b> <b>PS3224C</b>
-------------------------------------	----------------------------------	----------------------------------

<b>CHARGE MODE ACCELEROMETER</b>		REV E, ECN 11370, 10/20/14
----------------------------------	--	----------------------------



- MINIATURE SIZE
- HIGH SENSITIVITY
- EPOXY SEALED CABLE CONNECTION
- CHARGE MODE

**PHYSICAL**

Weight, Less Cable Size

	ENGLISH		SI	
Width	0.007	oz	0.2	grams
Length	0.138	in	3.5	mm
Height	0.267	in	6.8	mm
	0.188	in	4.8	mm
Mounting Provision	[1]		[1]	
Connector [2]	Integral cable		Integral cable	
Sensing Element	Planar Shear Piezoceramic		Planar Shear Piezoceramic	

**PERFORMANCE**

Sensitivity [3] [4]	0.25 TO 0.45	pC/g	.025 TO .046	pC / m/s <sup>2</sup>
Range F.S.	250	g	2453	m/s <sup>2</sup>
Frequency Response, ±5% [4] [5]	to 10000	Hz	to 10000	Hz
Resonant Frequency	>40	kHz	>40	kHz
Amplitude Non-Linearity [6]	2	%F.S MAX	2	%F.S MAX
Transverse Sensitivity, Max.	5	%	5	%
Strain Sensitivity @250µε	0.0005	g/µε	0.005	m/s <sup>2</sup> /µε

**ENVIRONMENTAL**

Maximum Vibration	250	g rms	2450	m/s <sup>2</sup> rms
Maximum Shock	1000	g pk	9800	± m/s <sup>2</sup> pk
Temperature Range	-60 to +350	°F	-51 to 177	°C
Seal	Laser Weld, Epoxy Sealed Cable		Laser Weld, Epoxy Sealed Cable	

**ELECTRICAL**

Capacitance	220	pF	220	pF
Insulation Resistance @ Room Temp.	5 x 10 <sup>8</sup> Min.	OHMS	5 x 10 <sup>8</sup> Min.	OHMS
Output Signal Polarity for Acceleration	Negative		Negative	
Toward Top				

**This family also includes:**

Model	Sensitivity (mV/g)	Range (Gpeak)	Resolution (Grms)	Oper. Temp(°F)	TC (sec)

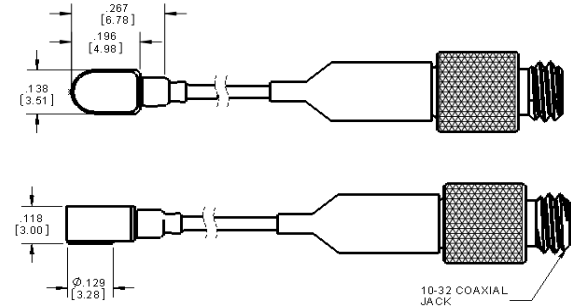
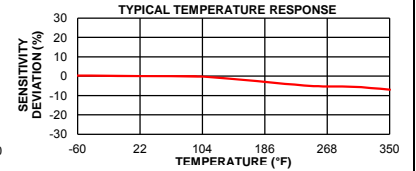
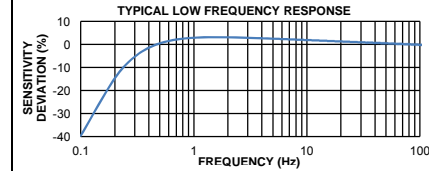
Please, refer to the performance specifications of the products in this family for detailed description.

**Supplied Accessories:**

- 1) Model 6725 installation removal wrench.
- 2) Sample of " Small Petro Mounting Wax".
- 3) Accredited calibration certificate (ISO 17025)

**Notes:**

- [1] Flat mounting surface for adhesive mount.
- [2] 10-32 Coaxial Jack at end of 3FT.cable
- [3] Measured at 100 Hz, 1 G rms per ISA RP 37.2.
- [4] Actual sensitivity is given on a calibration certificate traceable to NIST, supplied with each instrument
- [5] Low frequency response is a function of the charge amplifier discharge time constant.
- [6] Zero based on best fit straight line method.



Units on the line drawing are in inches, units in brackets are in millimeters. Refer to 127-3224C for more information.



21592 Marilla Street, Chatsworth, California 91311 Phone: 818.700.7818 Fax:818.700.7880 www.dytran.com For permission to reprint this content, please contact info@dytran.com