

PROPRIETARY AND CONFIDENTIAL

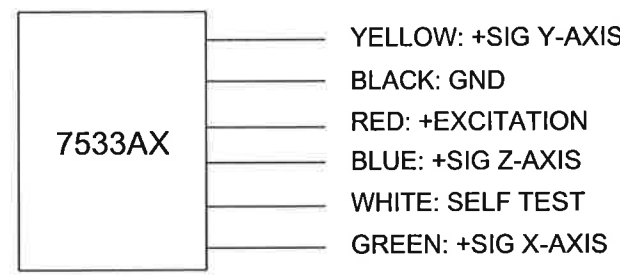
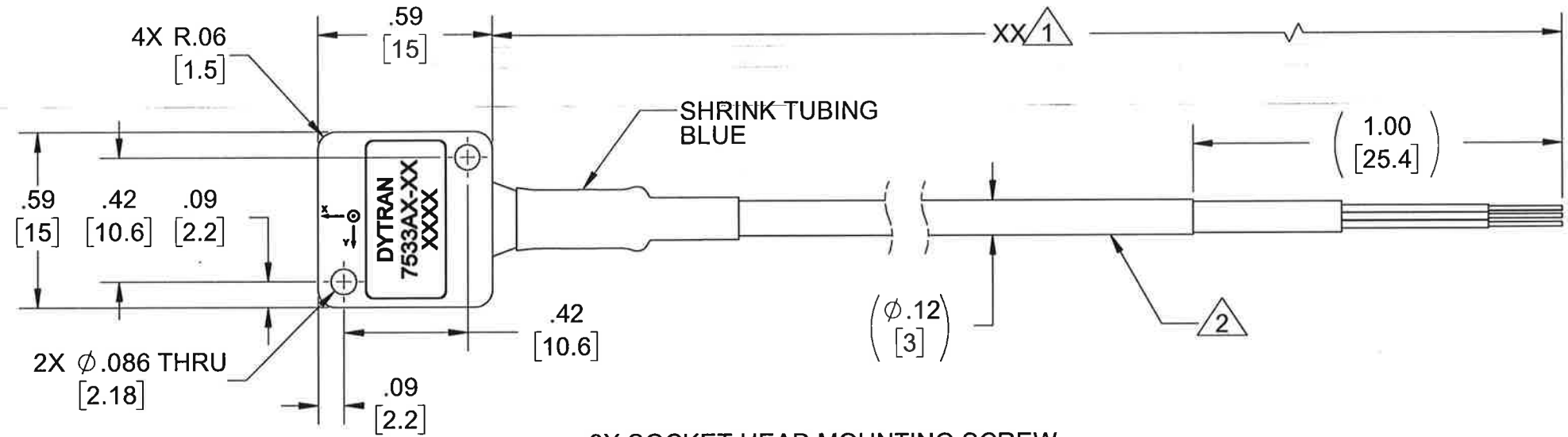
THE INFORMATION CONTAINED IN THIS DRAWING IS THE SOLE PROPERTY OF DYTRAN INSTRUMENTS INC. ANY REPRODUCTION IN PART OR AS A WHOLE WITHOUT THE WRITTEN PERMISSION OF DYTRAN INSTRUMENTS INC. IS PROHIBITED

REVISIONS

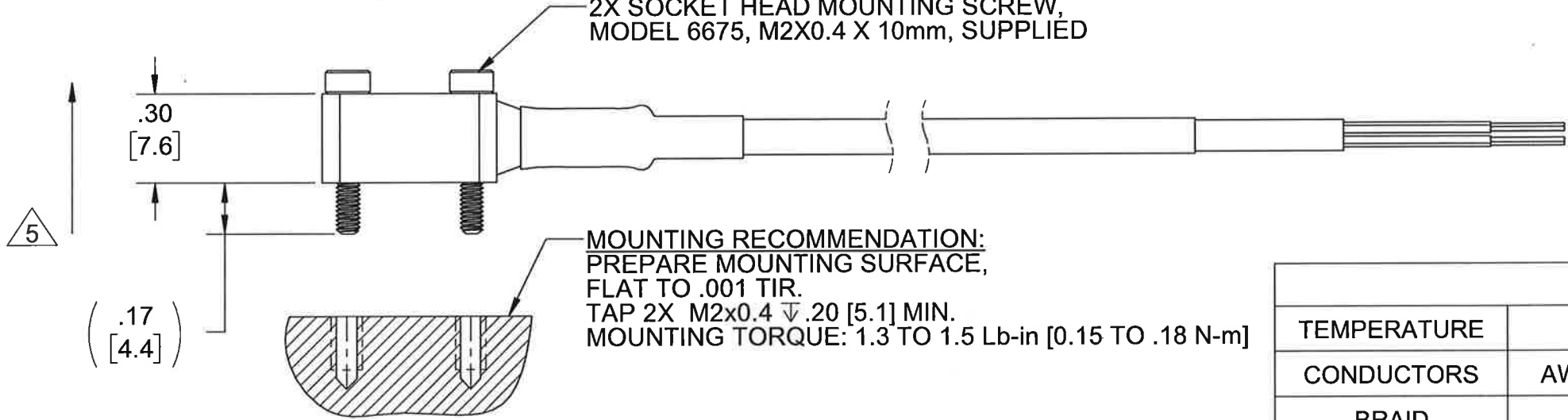
REV.	ECN	DESCRIPTION	BY/DATE	CHK	APPR
B	12745	REVISED MARKING TO DENOTE CABLE MARKING	EM 06/08/16	AS	W

MODEL	INPUT RANGE	SENSITIVITY ($\pm 10\%$)
7533A1-XX	$\pm 2g$	420 mV/g
7533A2-XX	$\pm 3g$	300 mV/g
7533A3-XX	$\pm 5g$	174 mV/g
7533A4-XX	$\pm 16g$	57 mV/g
7533A5-XX	$\pm 200g$	6.5 mV/g

1 CABLE LENGTH TOLERANCE			
ENGLISH		[METRIC]	
≤ 1 FT	+1/ -0 IN	≤ 0.3 m	+25mm -0mm
>1 FT - 5 FT	+2/ -0 IN	.3 m-1.5m	+50mm -0mm
> 5 FT - 10 FT	+4/ -0 IN	>1.5m-3m	+100mm -0mm
>10 FT - 25FT	+6 / -0 IN	>3m-7.5m	+150mm -0mm
>25 FT	+5% / -0%	>7.5m	+5%/-0%



WIRING DIAGRAM



2 CABLE SPECIFICATIONS	
TEMPERATURE	-55 °C TO 120 °C
CONDUCTORS	AWG 30 - 7/38 TIN PLATED COPPER, SANTOPRENE .007 WALL
BRAID	40 AWG TIN PLATED COPPER BRAID, 90% COVERAGE
JACKET	BLACK, SANTOPRENE, .013 NOM. WALL, Ø.118 MAX

- 6. OPERATING TEMPERATURE: -40°F TO +185°F. (-40°C TO +85°C)
 - 5 ARROW INDICATE DIRECTION OF ACCELERATION FOR POSITIVE OUTPUT
 - 4. WEGHT: 6.0 GRAMS, MAX. (LESS CABLE)
 - 3. MATERIAL: ALUMINUM ALLOY, ANODIZED, COLOR: BLACK
 - 2 CABLE, 6- CONDUCTORS, 30AWG, SHIELDED, SANTOPRENE JACKET, COLOR: BLACK. SEE TABLE FOR SPECIFICATIONS.
 - 1 MODEL NUMBER: 7533AX-XX. "XX" DENOTES CABLE LENGTH IN FEET (MAXIMUM CABLE LENGTH 50 FT.). SEE TABLE FOR CABLE LENGTH TOLERANCE.
- NOTES: UNLESS OTHERWISE SPECIFIED

UNLESS OTHERWISE SPECIFIED: INTERPRET DIM & TOL PER ASME Y14.5M - 1994. REMOVE BURRS. COUNTERSINK INTERNAL THDS 90° TO MAJOR DIA. CHAM EXT THDS 45° TO MINOR DIA. THD LENGTHS AND DEPTHS ARE FOR MIN FULL THDS. DIMENSIONS APPLY AFTER FINISHING.

UNLESS OTHERWISE SPECIFIED: DIMENSIONS ARE IN INCHES. DIMENSIONS IN BRACKETS ARE IN MILLIMETERS TOLERANCES ARE:

DECIMALS	METRIC	ANGLES
.XX ±.03	.X ±0.8	±1°
.XXX ±.010	.XX ±0.25	

APPROVALS		DATE
ORIG	LN	07/03/13
CHK	EP	02/12/16
APP	LN	02/12/16

ALL MACHINED SURFACES. 63/ TOTAL RUNOUT WITHIN .005. BREAK SHARP EDGES .005 TO .010. MACHINED FILLET RADII .005 TO .015. WELDING SYMBOLS PER AWS A2.4. ABBREVIATIONS PER MIL-STD-12.

DO NOT SCALE DRAWING


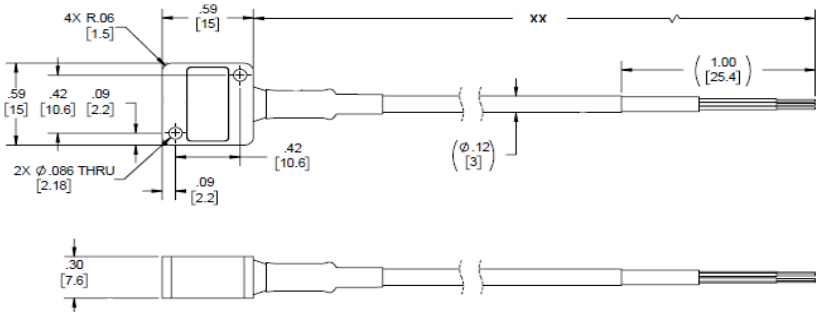
THIRD ANGLE PROJECTION USA

DYTRAN INSTRUMENTS, INC. MASTER Chatworth, CA ONLY IF IN RED

TITLE: **OUTLINE/INSTALLATION DWG, 7533AX SERIES**

SIZE B	CAGE CODE 2W033	DWG NO 127-7533A1-XX	REV B
---------------	------------------------	-----------------------------	--------------

SCALE: 2:1 SHEET 1 OF 1

MODEL NUMBER 7533A4		PERFORMANCE SPECIFICATIONS				DOC NO. PS7533A4																										
		• LOW COST • WIDE SUPPLY VOLTAGE RANGE • LOW CURRENT CONSUMPTION				REV B ECN 12745, 06/08/16																										
						TRIAxIAL , DC ACCELEROMETER																										
		ENGLISH		SI		<table border="1"> <thead> <tr> <th>Model</th> <th>Sensitivity (mV/g)</th> <th>Range (Gpeak)</th> <th>Noise(μGrms/sqr(Hz))</th> <th>Oper. Temp(°F)</th> </tr> </thead> <tbody> <tr> <td>7533A1</td> <td>420</td> <td>±2</td> <td>250</td> <td>-40 to 185</td> </tr> <tr> <td>7533A2</td> <td>300</td> <td>±3</td> <td>300</td> <td>-40 to 185</td> </tr> <tr> <td>7533A3</td> <td>174</td> <td>±5</td> <td>250</td> <td>-40 to 185</td> </tr> <tr> <td>7533A5</td> <td>6.5</td> <td>±200</td> <td>2700</td> <td>-40 to 185</td> </tr> </tbody> </table>		Model	Sensitivity (mV/g)	Range (Gpeak)	Noise(μGrms/sqr(Hz))	Oper. Temp(°F)	7533A1	420	±2	250	-40 to 185	7533A2	300	±3	300	-40 to 185	7533A3	174	±5	250	-40 to 185	7533A5	6.5	±200	2700	-40 to 185
Model	Sensitivity (mV/g)	Range (Gpeak)	Noise(μGrms/sqr(Hz))	Oper. Temp(°F)																												
7533A1	420	±2	250	-40 to 185																												
7533A2	300	±3	300	-40 to 185																												
7533A3	174	±5	250	-40 to 185																												
7533A5	6.5	±200	2700	-40 to 185																												
PHYSICAL Weight, Max. (less cable) Mounting Cable Housing		Type Material Material Isolation		oz 2X M2 Screws 6-conductor Santoprene Aluminum, Anodized Case Isolated		grams 2X M2 Screws 6-conductor Santoprene Aluminum, Anodized Case Isolated																										
PERFORMANCE Sensitivity, +/-10% [1] Acceleration Range, Min. Frequency Range, -3dB Resonance Frequency Linearity [2] Transverse Sensitivity Max Spectral Noise Sensitivity Change Due to Temperature		X,Y axes Z-axis kHz %F.S. % μGrms/√Hz %/°F		mV/g Gpeak Hz Hz kHz %F.S. % μm/s ² rms/√Hz %/°C		57 ±16 0 to 1600 0 to 550 >5.5 ±0.31 5 300 ±0.006																										
ELECTRICAL Supply Current Supply Voltage Range Output Impedance, Typ. Output Bias Voltage Self-Test Output [3] Turn-On Time		X,Y axes Z-axis VDC VDC VDC VDC X-axis Y-axis Z-axis ms		μA VDC Ω VDC VDC VDC VDC mV mV mV ms		350 4 to 28 100 1.35 to 1.65 1.2 to 1.8 ±1.0 -29 to -114 +29 to +114 +29 to +190 1																										
ENVIRONMENTAL Shock Max Vibration Max Operating Temperature Seal		g pk g pk °F Epoxy		10,000 5000 -40 to +185 Epoxy		m/s ² m/s ² °C Epoxy																										
		Please, refer to the performance specifications of the products in this family for detailed description				Supplied Accessories: 1) Accredited calibration certificate (ISO 17025) 2) Mounting Screw, Model 6675, M2x0.4 x 12mm, qty. 2																										
		Notes: [1] Measured at 100 Hz, 5 Grms per ISA RP 37.2 [2] Linearity is % of specified full scale (or any less full-scale range), zero-based best fit straight line method. [3] Refer to the Operating Guide for instructions on how to use Self-Test feature																														
		Units on the line drawing are in inches, units in brackets are in millimeters. Refer to 127-7533A1-XX for more information.																														



21592 Marilla Street, Chatsworth, California 91311 Phone: 818.700.7818 Fax:818.700.7880