

PROPRIETARY AND CONFIDENTIAL

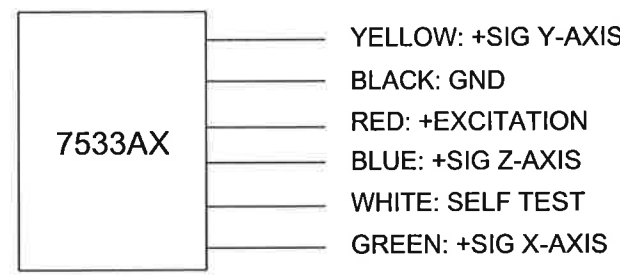
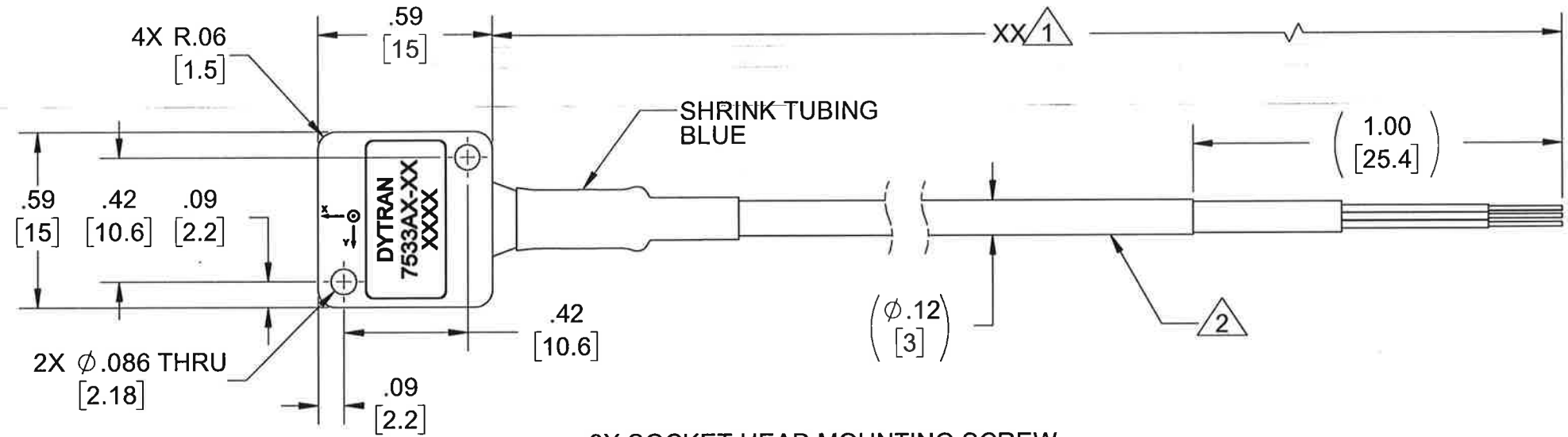
THE INFORMATION CONTAINED IN THIS DRAWING IS THE SOLE PROPERTY OF DYTRAN INSTRUMENTS INC. ANY REPRODUCTION IN PART OR AS A WHOLE WITHOUT THE WRITTEN PERMISSION OF DYTRAN INSTRUMENTS INC. IS PROHIBITED

REVISIONS

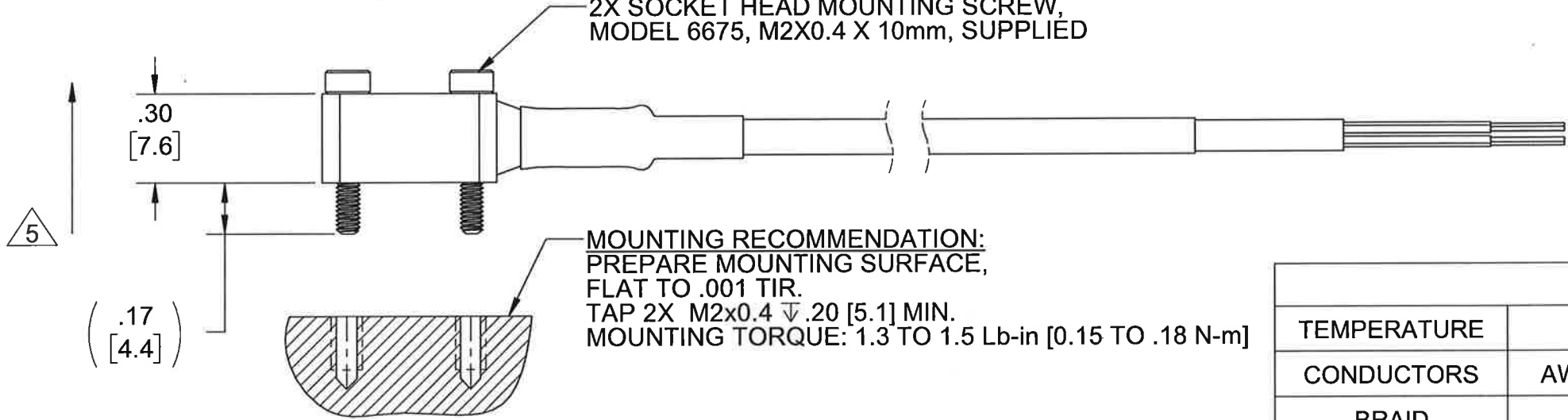
REV.	ECN	DESCRIPTION	BY/DATE	CHK	APPR
B	12745	REVISED MARKING TO DENOTE CABLE MARKING	EM 06/08/16	AS	W

MODEL	INPUT RANGE	SENSITIVITY ($\pm 10\%$)
7533A1-XX	$\pm 2g$	420 mV/g
7533A2-XX	$\pm 3g$	300 mV/g
7533A3-XX	$\pm 5g$	174 mV/g
7533A4-XX	$\pm 16g$	57 mV/g
7533A5-XX	$\pm 200g$	6.5 mV/g

1 CABLE LENGTH TOLERANCE			
ENGLISH		[METRIC]	
≤ 1 FT	+1/ -0 IN	≤ 0.3 m	+25mm -0mm
>1 FT - 5 FT	+2/ -0 IN	.3 m-1.5m	+50mm -0mm
> 5 FT - 10 FT	+4/ -0 IN	>1.5m-3m	+100mm -0mm
>10 FT - 25FT	+6 / -0 IN	>3m-7.5m	+150mm -0mm
>25 FT	+5% / -0%	>7.5m	+5%/-0%



WIRING DIAGRAM



2 CABLE SPECIFICATIONS	
TEMPERATURE	-55 °C TO 120 °C
CONDUCTORS	AWG 30 - 7/38 TIN PLATED COPPER, SANTOPRENE .007 WALL
BRAID	40 AWG TIN PLATED COPPER BRAID, 90% COVERAGE
JACKET	BLACK, SANTOPRENE, .013 NOM. WALL, ϕ .118 MAX

- 6. OPERATING TEMPERATURE: -40°F TO +185°F. (-40°C TO +85°C)
 - 5 ARROW INDICATE DIRECTION OF ACCELERATION FOR POSITIVE OUTPUT
 - 4. WEGHT: 6.0 GRAMS, MAX. (LESS CABLE)
 - 3. MATERIAL: ALUMINUM ALLOY, ANODIZED, COLOR: BLACK
 - 2 CABLE, 6- CONDUCTORS, 30AWG, SHIELDED, SANTOPRENE JACKET, COLOR: BLACK. SEE TABLE FOR SPECIFICATIONS.
 - 1 MODEL NUMBER: 7533AX-XX. "XX" DENOTES CABLE LENGTH IN FEET (MAXIMUM CABLE LENGTH 50 FT.). SEE TABLE FOR CABLE LENGTH TOLERANCE.
- NOTES: UNLESS OTHERWISE SPECIFIED

UNLESS OTHERWISE SPECIFIED:
 INTERPRET DIM & TOL PER ASME Y14.5M - 1994.
 REMOVE BURRS.
 COUNTERSINK INTERNAL THDS 90° TO MAJOR DIA.
 CHAM EXT THDS 45° TO MINOR DIA.
 THD LENGTHS AND DEPTHS ARE FOR MIN FULL THDS.
 DIMENSIONS APPLY AFTER FINISHING.

UNLESS OTHERWISE SPECIFIED:
 DIMENSIONS ARE IN INCHES.
 DIMENSIONS IN BRACKETS ARE IN MILLIMETERS TOLERANCES ARE:

DECIMALS	METRIC	ANGLES
.XX \pm .03	.X \pm 0.8	$\pm 1^\circ$
.XXX \pm .010	.XX \pm 0.25	

APPROVALS		DATE
ORIG	LN	07/03/13
CHK	EP	02/12/16
APP	LN	02/12/16

ALL MACHINED SURFACES. $\sqrt{}$
 TOTAL RUNOUT WITHIN .005.
 BREAK SHARP EDGES .005 TO .010.
 MACHINED FILLET RADII .005 TO .015.
 WELDING SYMBOLS PER AWS A2.4.
 ABBREVIATIONS PER MIL-STD-12.

DO NOT SCALE DRAWING

THIRD ANGLE PROJECTION USA

DYTRAN INSTRUMENTS, INC.
 Chatworth, CA
MASTER ONLY IF IN RED

TITLE: **OUTLINE/INSTALLATION DWG, 7533AX SERIES**

SIZE B	CAGE CODE 2W033	DWG NO 127-7533A1-XX	REV B
---------------	------------------------	-----------------------------	--------------

SCALE: 2:1 SHEET 1 OF 1

MODEL NUMBER 7533A5	PERFORMANCE SPECIFICATIONS	DOC NO. PS7533A5
	TRIAxIAL, DC ACCELEROMETER	REV B ECN 12745, 06/08/16



- **LOW COST**
- **WIDE SUPPLY VOLTAGE RANGE**
- **LOW CURRENT CONSUMPTION**

	ENGLISH		SI	
PHYSICAL				
Weight, Max. (less cable)	0.21	oz	6.0	grams
Mounting	2X M2 Screws		2X M2 Screws	
Cable	Type	6-conductor		6-conductor
	Material	Santoprene		Santoprene
Housing	Material	Aluminum, Anodized		Aluminum, Anodized
	Isolation	Case Isolated		Case Isolated

		ENGLISH		SI
PERFORMANCE				
Sensitivity, +/-10% [1]		6.5	mV/g	0.7
Acceleration Range		±200	Gpeak	±1962
Frequency Range, -3dB	X,Y axes	0 to 1300	Hz	0 to 1300
	Z-axis	0 to 1000	Hz	0 to 1000
Resonance Frequency		>16.5	kHz	>16.5
Linearity [2]		<0.51	%F.S.	<0.51
Transverse Sensitivity Max		5	%	5
Spectral Noise	X,Y axes	2700	µGrms/√Hz	26487
	Z-axis	4300	µGrms/√Hz	42183
Sensitivity Change Due to Temperature		±0.011	%/°F	±0.02

		ENGLISH		SI
ELECTRICAL				
Supply Current		350	µA	350
Supply Voltage Range		4 to 28	VDC	4 to 28
Output Impedance, Typ.		100	Ω	100
Output Bias Voltage		1.4 to 1.6	VDC	1.4 to 1.6
Output Range		±1.5	VDC	±1.5
Self-Test Output [3]	X-axis	-6.5	mV	-6.5
	Y-axis	+6.5	mV	+6.5
	Z-axis	+11.5	mV	+11.5
Turn-On Time		1	ms	1

		ENGLISH		SI
ENVIRONMENTAL				
Shock Max		10,000	g pk	98100
Vibration Max		5000	g pk	49050
Operating Temperature		-40 to +185	°F	-40 to +85
Seal		Epoxy		Epoxy

Model	Sensitivity (mV/g)	Range (Gpeak)	Noise(µGrms/sqr(Hz))	Oper. Temp(°F)
7533A1	420	±2	250	-40 to 185
7533A2	300	±3	300	-40 to 185
7533A3	174	±5	250	-40 to 185
7533A4	57	±16	300	-40 to 185

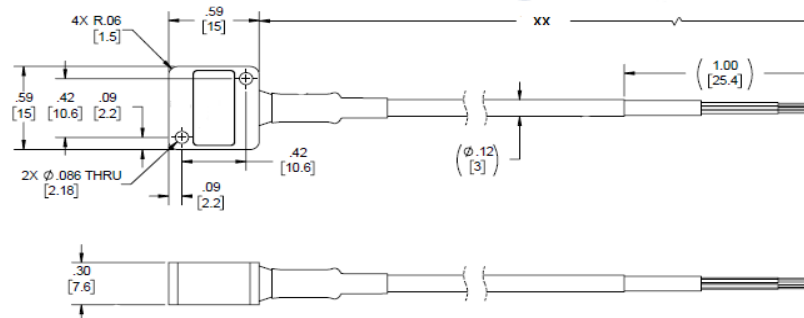
Please, refer to the performance specifications of the products in this family for detailed description

Supplied Accessories:

- 1) Accredited calibration certificate (ISO 17025)
- 2) Mounting Screw, Model 6675, M2x0.4 x 12mm, qty. 2

Notes:

- [1] Measured at 100 Hz, 5 Grms per ISA RP 37.2
- [2] Linearity is % of specified full scale (or any less full-scale range), zero-based best fit straight line method.
- [3] Refer to the Operating Guide for instructions on how to use Self-Test feature



Units on the line drawing are in inches, units in brackets are in millimeters. Refer to 127-7533A1-XX for more information.



21592 Marilla Street, Chatsworth, California 91311 Phone: 818.700.7818 Fax:818.700.7880
 www.dytran.com For permission to reprint this content, please contact info@dytran.com