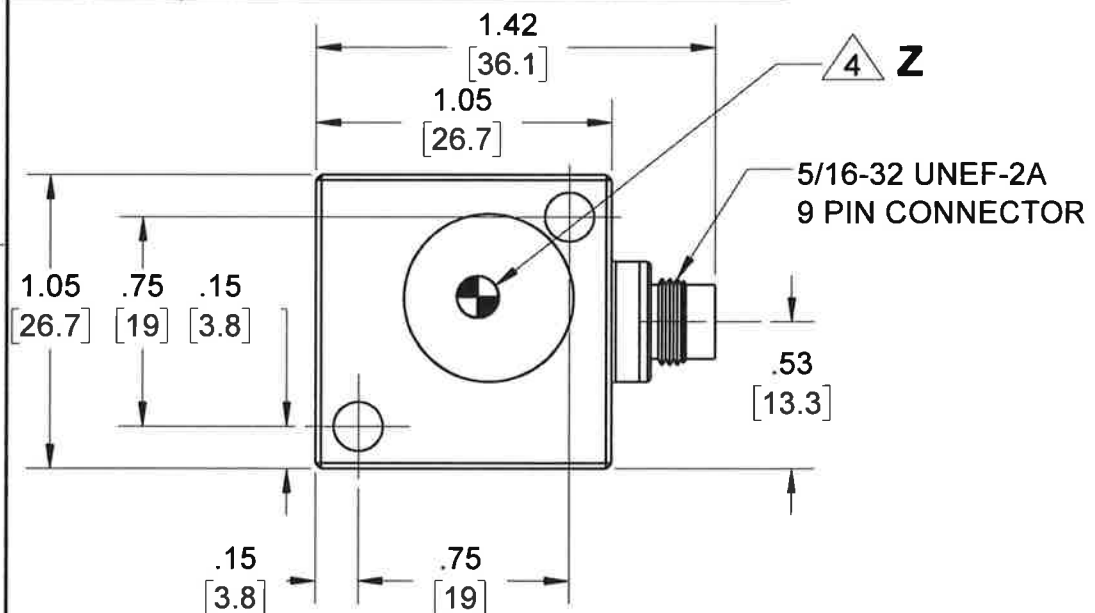


PROPRIETARY AND CONFIDENTIAL

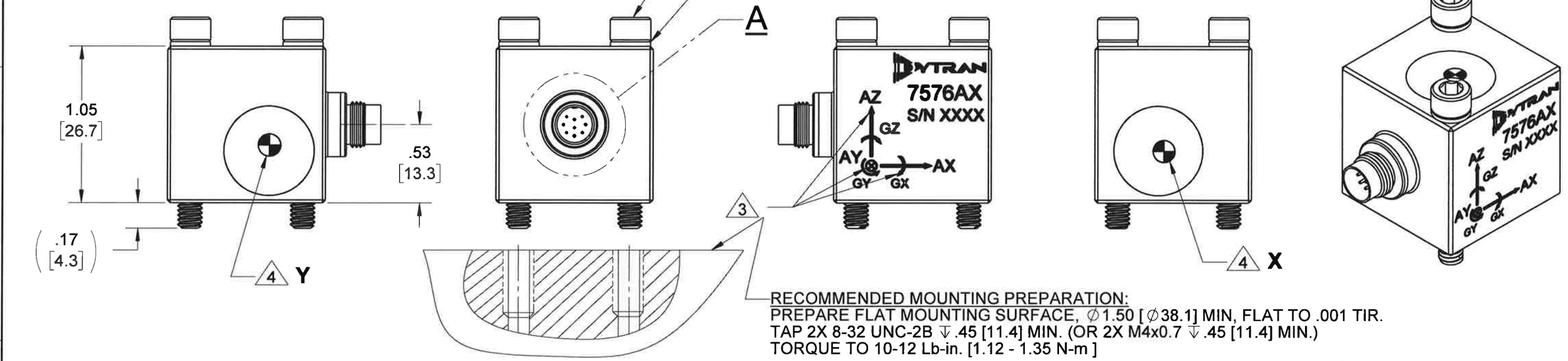
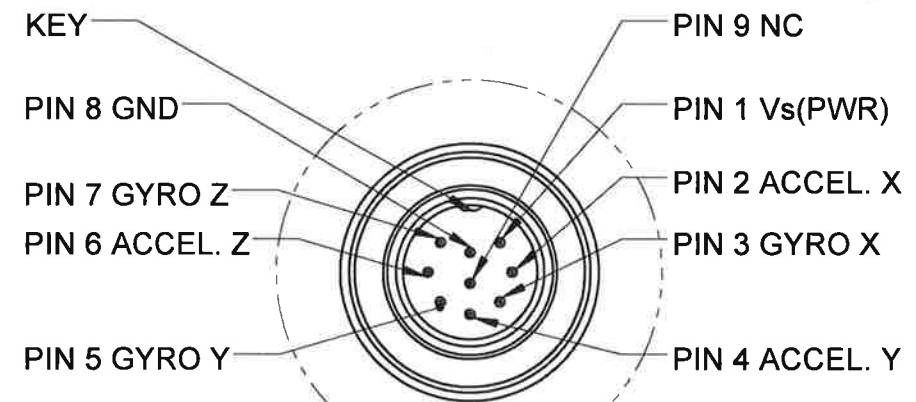
THE INFORMATION CONTAINED IN THIS DRAWING IS THE SOLE PROPERTY OF DYTRAN INSTRUMENTS INC. ANY REPRODUCTION IN PART OR AS A WHOLE WITHOUT THE WRITTEN PERMISSION OF DYTRAN INSTRUMENTS INC. IS PROHIBITED

REVISIONS

REV	ECN	DESCRIPTION	BY/DATE	CHK	APPR
A	13585	INITIAL RELEASE SAME AS REV X2	NDC 07/18/17	AS	EP



MODEL	GYRO RANGE	ACCELEROMETER RANGE
7576A1	±50°/sec	±5G
7576A2	±150°/sec	±10G
7576A3	±250°/sec	±30G
7576A4	±20,000°/sec	±200G
7576A5	±50°/sec	±2G



RECOMMENDED MOUNTING PREPARATION:
 PREPARE FLAT MOUNTING SURFACE, $\phi 1.50$ [$\phi 38.1$] MIN, FLAT TO .001 TIR.
 TAP 2X 8-32 UNC-2B $\downarrow .45$ [11.4] MIN. (OR 2X M4x0.7 $\downarrow .45$ [11.4] MIN.)
 TORQUE TO 10-12 Lb-in. [1.12 - 1.35 N-m]

5 MATES WITH DYTRAN CABLES: - 6964AXX (9-PIN TO FLYING LEADS)
 - 6445AXX (9-PIN TO 7 BNC PLUGS)
 (XX DENOTES LENGTH IN FEET)

4 MARKING DENOTES LOCATION OF SENSING ELEMENT'S CENTER OF MASS

3 ARROWS INDICATE GYROSCOPIC & ACCELERATION DIRECTIONS FOR POSITIVE OUTPUT

2. MATERIAL: TITANIUM ALLOY
 1. WEIGHT: 25 GRAMS, MAX.

NOTES: UNLESS OTHERWISE SPECIFIED

<small>UNLESS OTHERWISE SPECIFIED: INTERPRET DIM & TOL PER ASME Y14.5M - 1994. REMOVE BURRS. COUNTERSINK INTERNAL THDS 90° TO MAJOR DIA. CHAM EXT THDS 45° TO MINOR DIA. THD LENGTHS AND DEPTHS ARE FOR MIN FULL THDS. DIMENSIONS APPLY AFTER FINISHING.</small>	<small>UNLESS OTHERWISE SPECIFIED: DIMENSIONS ARE IN INCHES. DIMENSIONS IN BRACKETS [] ARE IN MILLIMETERS TOLERANCES ARE:</small>				
	<small>DECIMALS .XX ±.03 .XXX ±.010</small>	<small>METRIC .X ±.08 .XX ±0.25</small>	<small>ANGLES ±1°</small>	<small>Chatsworth, CA</small>	
	APPROVALS		DATE		TITLE: OUTLINE/INSTALLATION DRAWING, 7576A SERIES
	<small>ORIG</small> DV	<small>DATE</small> 1/18/16		<small>SIZE</small> B	
<small>CHK</small> AS	<small>DATE</small> 7/22/17		<small>DWG NO</small> 127-7576A1		
<small>APP</small> EP	<small>DATE</small> 8/1/17			<small>SCALE:</small> 2:1	<small>SHEET 1 OF</small> 1
<small>DO NOT SCALE DRAWING</small>					

Model Number 7576A3	PERFORMANCE SPECIFICATION	DOC NO PS7576A3
	6DOF VIBRATION SENSOR	REV A, ECN 13565, 07/27/17



- VARIABLE CAPACITANCE TECHNOLOGY
- 6 DEGREES OF FREEDOM MEASUREMENTS
- HERMETICALLY SEALED
- DC RESPONSE
- INTERNATIONAL TRAFFIC IN ARMS REGULATION (ITAR) FREE

PHYSICAL

Weight, Max
Connector
Material

ENGLISH		SI	
1.9	oz	55	grams
5/16-32 UNEF-2A	Type	5/16-32 UNEF-2A	
Ti-6Al-4V		Ti-6Al-4V	

ACCELEROMETER PERFORMANCE

Input Range
Frequency Response (±5%)
Frequency Response (±3dB)
Scale Factor, Nom. [1]
Output Noise, Typ.
Non-Linearity, Typ. [2]
Temperature Range
Scale Factor Temperature Coefficient [3]
Axis misalignment, Max.
Shock Survivability
Resonant Frequency
Cross Axis Sensitivity, Max.

±30	g	±294	m/s ²
0-1000	Hz	0-1000	Hz
0-3000	Hz	0-3000	Hz
83.33	mV/g	8.5	mV/m/s ²
0.00089	g rms/√ Hz	0.0009	m/s ² / √ Hz
0.2	% F.S	0.2	% F.S
-67 to 257	°F	-55 to 125	°C
67	ppm/°F	120	ppm/°C
10	mrad	10	mrad
6000	g	58860	m/s ²
>5	kHz	>5	kHz
5	%	5	%

GYRO PERFORMANCE

Input Range
Frequency Response
Sensitivity ±10% [1]
Rate noise density, Typ.
Non-Linearity, Typ [2]
Temperature Range
Resonant Frequency
Cross Axis Sensitivity, Max.

±250	°/sec	±250	°/sec
0.01-2500	Hz	0.01-2500	Hz
7.0	mV/°/sec	7.0	mV/°/sec
0.06	(°/sec)/√ Hz	0.06	(°/sec)/√ Hz
0.2	% F.S	0.2	% F.S
-40 to 221	°F	-40 to 105	°C
5.7	kHz	5.7	kHz
5	%	5	%

ELECTRICAL

Output Impedance, Nom
Operating Voltage
Output Bias Voltage ±0.5 VDC
Operating Current , Typ
Power Supply Rejection Ratio

2	Ω	2	Ω
6 to 14	VDC	6 to 14	VDC
2.5	VDC	2.5	VDC
12	mA DC	12	mA DC
>65	dB	>65	dB

ENVIRONMENTAL

Storage Temperature
Seal

-67 to 257	°F	-55 to 125	°C
Hermetic		Hermetic	

This family also includes:

Model	Input Range (EU) Accel/Gyro	Frequency response (Hz) Accel./Gyro	Sensitivity , ±10% (mV/EU) Accel/Gyro	Max.Shock (0.1ms), g	Noise (EU/√Hz) Accel./Gyro
7576A1	±5 / ±50	0-1300 / 1-1000	500 / 25	6000	0.000019 / 0.04
7576A2	±10 / ±150	0-2500 / 1-3000	250 / 12.5	6000	0.00004 / 0.04
7576A4	±200 / ±20000	0-3000 / 0-2000	12.5 / 0.1	6000	0.0009 / 0.25
7576A5	±2 / ±50	0-1150 / 1-1000	1250 / 25	6000	0.0000088 / 0.04

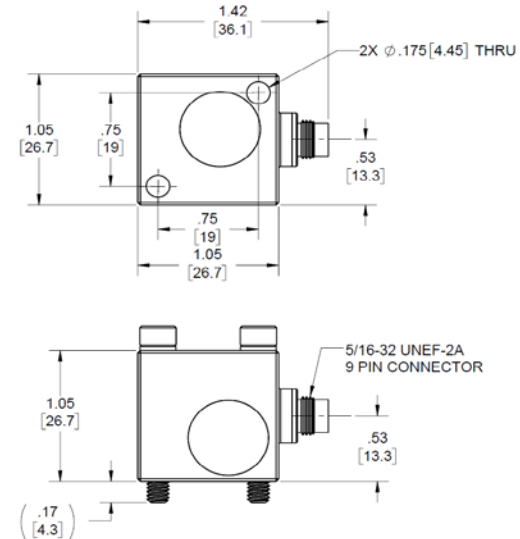
Refer to the performance specifications of the products in this family for detailed description.

Supplied Accessories:

- 1) Accredited calibration certificate (ISO 17025)
- 2) Mounting screw model 6753, 8-32 UNF-2A, qty 2
- 3) Mounting washer model 6754, qty 2
- 4) Mounting screw model 6687, M4 X 0.7, qty 2

Notes:

- [1] Measured using Earth gravity
- [2] Best fit zero based line method
- [3] Over the rated temperature range.
- [4] In the interest of constant product improvement, we reserve the right to change specifications without notice.



Units on the line drawing are in inches. Refer to 127-7576A1 for more information.



21592 Marilla Street, Chatsworth, California 91311 Phone: 818.700.7818 Fax: 818.700.7880 www.dytran.com
For permission to reprint this content, please contact info@dytran.com