

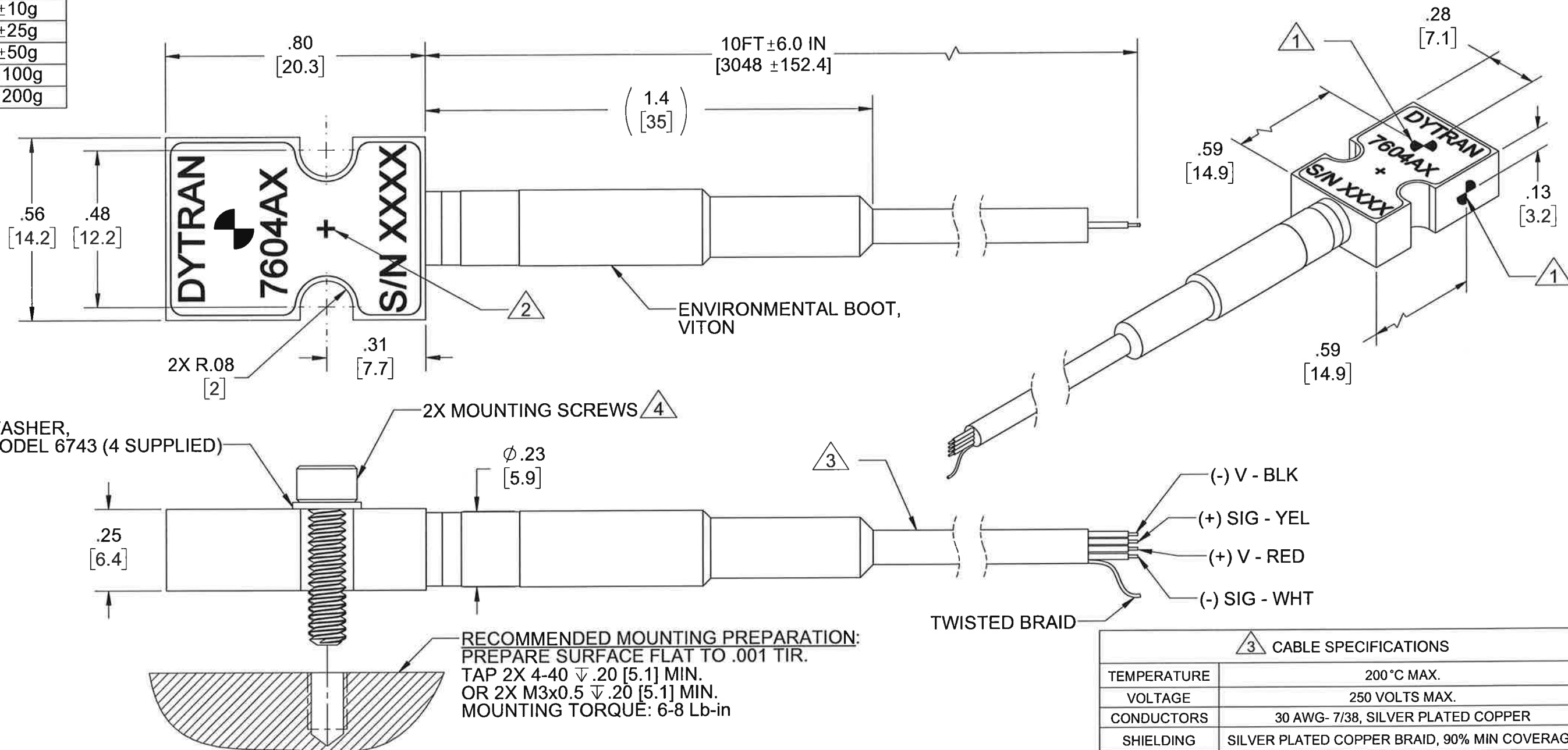
PROPRIETARY AND CONFIDENTIAL

THE INFORMATION CONTAINED IN THIS DRAWING IS THE SOLE PROPERTY OF DYTRAN INSTRUMENTS INC. ANY REPRODUCTION IN PART OR AS A WHOLE WITHOUT THE WRITTEN PERMISSION OF DYTRAN INSTRUMENTS INC. IS PROHIBITED

REVISIONS

REV.	ECN	DESCRIPTION	BY/DATE	CHK	APPR
B	12548	CLARIFIED MARKING	EM 03/17/16	PA	LN

MODEL	RANGE
7604A1	±5g
7604A2	±10g
7604A3	±25g
7604A4	±50g
7604A5	±100g
7604A6	±200g



RECOMMENDED MOUNTING PREPARATION:
 PREPARE SURFACE FLAT TO .001 TIR.
 TAP 2X 4-40 ∇ .20 [5.1] MIN.
 OR 2X M3x0.5 ∇ .20 [5.1] MIN.
 MOUNTING TORQUE: 6-8 Lb-in

3 CABLE SPECIFICATIONS	
TEMPERATURE	200 °C MAX.
VOLTAGE	250 VOLTS MAX.
CONDUCTORS	30 AWG- 7/38, SILVER PLATED COPPER
SHIELDING	SILVER PLATED COPPER BRAID, 90% MIN COVERAGE
OUTER JACKET	FEP, ϕ .105 IN. [2.7mm] MAX., ϕ .095 IN. [2.4mm] MIN.

- 4 MOUNTING SCREW, MODEL 6746, 4-40 X .438, QTY. 2, SUPPLIED. MOUNTING SCREW, MODEL 6688, M3x0.5 X 12mm, QTY. 2, SUPPLIED.
- 3 CABLE, 4 CONDUCTORS, FEP JACKET. SEE TABLE FOR SPECIFICATIONS.
- 2 ARROW AND "+" SIGN INDICATES DIRECTION OF ACCELERATION FOR POSITIVE OUTPUT.
- 1 MARKING DENOTES LOCATION OF SENSING ELEMENT.

NOTES: UNLESS OTHERWISE SPECIFIED

UNLESS OTHERWISE SPECIFIED:
 INTERPRET DIM & TOL PER ASME Y14.5M - 1994.
 REMOVE BURRS.
 COUNTERSINK INTERNAL THDS 90° TO MAJOR DIA.
 CHAM EXT THDS 45° TO MINOR DIA.
 THD LENGTHS AND DEPTHS ARE FOR MIN FULL THDS.
 DIMENSIONS APPLY AFTER FINISHING.

DECIMALS	METRIC	ANGLES
.XX ±.03	.X ±0.8	±1°
.XXX ±.010	.XX ±0.25	

APPROVALS: ORIG LN 12/02/13, CHK EP 12/10/15, APP DV 12/12/15

ALL MACHINED SURFACES \checkmark 63/ TOTAL RUNOUT WITHIN .005. BREAK SHARP EDGES .005 TO .010. MACHINED FILLET RADII .005 TO .015. WELDING SYMBOLS PER AWS A2.4. ABBREVIATIONS PER MIL-STD-12.

THIRD ANGLE PROJECTION USA

DO NOT SCALE DRAWING

DYTRAN INSTRUMENTS, INC. MASTER ONLY IF IN RED Chatsworth, CA

TITLE: **OUTLINE/INSTALLATION DRAWING, 7604A SERIES**

SIZE B	CAGE CODE 2W033	DWG NO 127-7604A	REV B
--------	-----------------	------------------	-------

SCALE: 4:1 SHEET 1 OF 1



- POWER SUPPLY IDENTICAL TO STRAIN GAGE SENSORS
- VARIABLE CAPACITANCE ACCELEROMETER
- DIFFERENTIAL MODE
- HERMETICALLY SEALED
- DC RESPONSE
- INTEGRAL CABLE
- ENVIRONMENTAL BOOT

PHYSICAL

Weight, Max (less cable)
Integral Cable
Material

ENGLISH		SI	
0.1	oz	3.6	grams
Flying Leads		Flying Leads	
Titanium Alloy		Titanium Alloy	

PERFORMANCE

Input Range
Frequency Response (±3dB)
Resonant Frequency
Sensitivity Differential, ±5% [1]
Output Noise, Differential, Typ
Non-Linearity, Max [2]
Sensitivity Change with Excitation Voltage (6-22 Volts)
Cross Axis Sensitivity
Zero Measurand Output

±100	g	±981	m/s ²
0-1400	Hz	0-1400	Hz
3.5	kHz	3.5	kHz
5	mV/g	0.5	mV/m/s ²
100	μ g rms/v Hz	981	μ m/s ² /V Hz
0.5	% F.S	0.5	% F.S
0.3	%	0.3	%
< 3	%	< 3	%
±50	mV	±50	mV

ENVIRONMENTAL

Maximum Mechanical Shock (0.1 ms)
Bias Temperature Shift, Max [3]
Sensitivity Temperature Shift
Operating Temperature Range
Seal

5000	gpk	49050	m/s ² peak
111	(ppm of span)/°F	200	(ppm of span)/°C
277	ppm/°F	500	ppm/°C
-40 to +248	°F	-40 to +120	°C
Hermetic		Hermetic	

ELECTRICAL

Output Common Mode Voltage ± VDC
Output Impedance, Nom
Operating Voltage
Operating Current, Max
Change in Operating Current to Excitation Voltage

[4]		[4]	
1225	Ω	1225	Ω
±3 to ±11	VDC	±3 to ±11	VDC
13	mA Dc	13	mA Dc
0.25	mAV	0.25	mAV

This family also includes:

Model	Input Range (g)	Frequency response (Hz)	Sensitivity Differential, ±5% (mV/g)	Max.Shock (0.1ms) (gpk)	Noise Differential (μg/√Hz)
7604A1	±5	0-400	100	2000	12
7604A2	±10	0-600	50	5000	18
7604A3	±25	0-900	20	5000	25
7604A4	±50	0-1200	10	5000	50
7604A6	±200	0-1750	2.5	5000	200

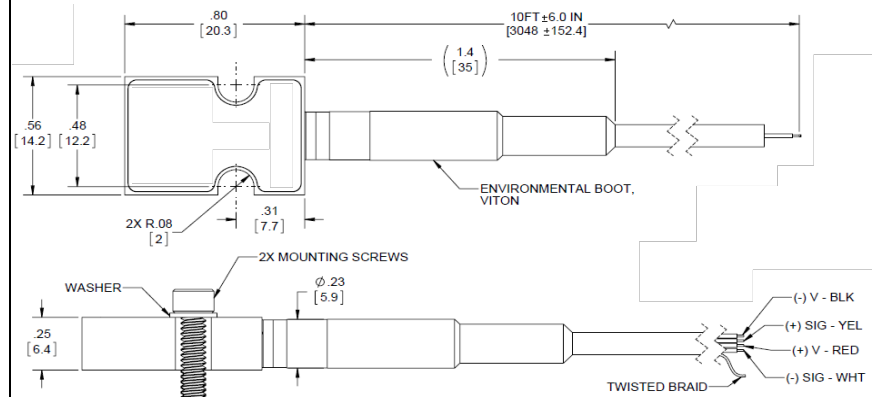
Refer to the performance specifications of the products in this family for detailed description

Supplied Accessories:

- 1) Accredited calibration certificate (ISO 17025)
- 2) Mounting screws, model 6746, 4-40, Qty. 2
- 3) Mounting screws, model # 6688, M3x0.5, Qty. 2
- 4) Mounting washers model # 6743, Qty. 4

Notes:

- [1] Single ended sensitivity is half of values shown
- [2] -90% to +90% of Full Scale
- [3] Over the rated temperature range
- [4] Bias voltage equal to (+ V - (-V)) / 2
- [5] In the interest of constant product improvement, we reserve the right to change specifications without notice.



Units on the line drawing are in inches, units in brackets are in millimeters. Refer to 127-7604A for more information.

