

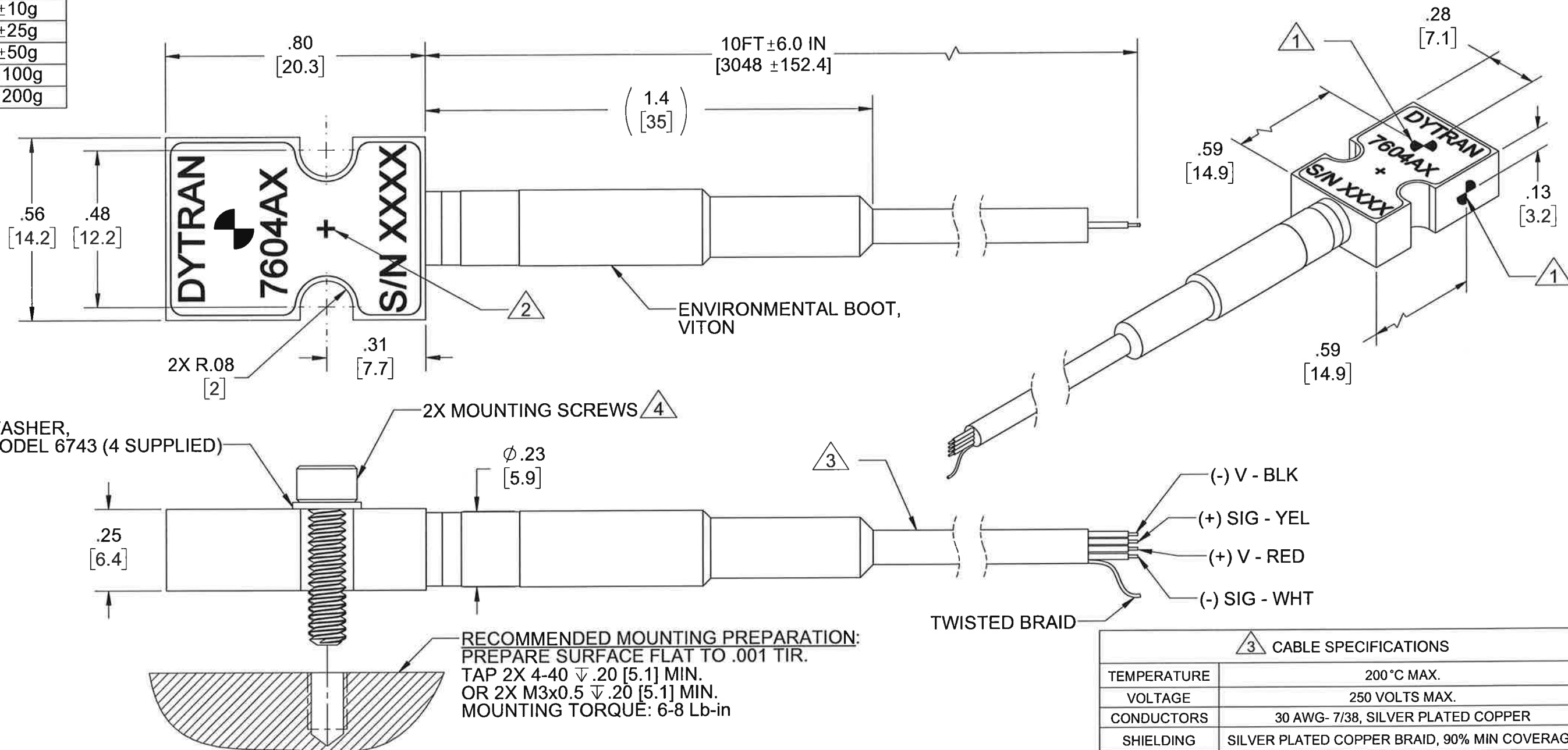
PROPRIETARY AND CONFIDENTIAL

THE INFORMATION CONTAINED IN THIS DRAWING IS THE SOLE PROPERTY OF DYTRAN INSTRUMENTS INC. ANY REPRODUCTION IN PART OR AS A WHOLE WITHOUT THE WRITTEN PERMISSION OF DYTRAN INSTRUMENTS INC. IS PROHIBITED

REVISIONS

REV.	ECN	DESCRIPTION	BY/DATE	CHK	APPR
B	12548	CLARIFIED MARKING	EM 03/17/16	PA	LN

MODEL	RANGE
7604A1	±5g
7604A2	±10g
7604A3	±25g
7604A4	±50g
7604A5	±100g
7604A6	±200g



RECOMMENDED MOUNTING PREPARATION:
 PREPARE SURFACE FLAT TO .001 TIR.
 TAP 2X 4-40 ∇ .20 [5.1] MIN.
 OR 2X M3x0.5 ∇ .20 [5.1] MIN.
 MOUNTING TORQUE: 6-8 Lb-in

CABLE SPECIFICATIONS	
TEMPERATURE	200°C MAX.
VOLTAGE	250 VOLTS MAX.
CONDUCTORS	30 AWG- 7/38, SILVER PLATED COPPER
SHIELDING	SILVER PLATED COPPER BRAID, 90% MIN COVERAGE
OUTER JACKET	FEP, ϕ .105 IN. [2.7mm] MAX., ϕ .095 IN. [2.4mm] MIN.

- 4 MOUNTING SCREW, MODEL 6746, 4-40 X .438, QTY. 2, SUPPLIED. MOUNTING SCREW, MODEL 6688, M3x0.5 X 12mm, QTY. 2, SUPPLIED.
- 3 CABLE, 4 CONDUCTORS, FEP JACKET. SEE TABLE FOR SPECIFICATIONS.
- 2 ARROW AND "+" SIGN INDICATES DIRECTION OF ACCELERATION FOR POSITIVE OUTPUT.
- 1 MARKING DENOTES LOCATION OF SENSING ELEMENT.

NOTES: UNLESS OTHERWISE SPECIFIED

UNLESS OTHERWISE SPECIFIED:
 INTERPRET DIM & TOL PER ASME Y14.5M - 1994.
 REMOVE BURRS.
 COUNTERSINK INTERNAL THDS 90° TO MAJOR DIA.
 CHAM EXT THDS 45° TO MINOR DIA.
 THD LENGTHS AND DEPTHS ARE FOR MIN FULL THDS.
 DIMENSIONS APPLY AFTER FINISHING.

ALL MACHINED SURFACES $\sqrt{63}$
 TOTAL RUNOUT WITHIN .005.
 BREAK SHARP EDGES .005 TO .010.
 MACHINED FILLET RADII .005 TO .015.
 WELDING SYMBOLS PER AWS A2.4.
 ABBREVIATIONS PER MIL-STD-12.

UNLESS OTHERWISE SPECIFIED: DIMENSIONS ARE IN INCHES. DIMENSIONS IN BRACKETS [] ARE IN MILLIMETERS TOLERANCES ARE:

DECIMALS	METRIC	ANGLES
.XX ±.03	.X ± 0.8	±1°
.XXX ±.010	.XX ±0.25	

APPROVALS		DATE
ORIG	LN	12/02/13
CHK	EP	12/10/15
APP	DV	12/12/15

DO NOT SCALE DRAWING

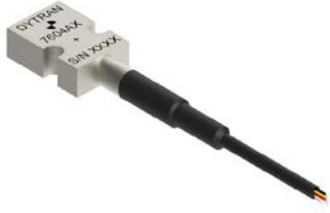
DYTRAN INSTRUMENTS, INC. MASTER ONLY IF IN RED
 Chatsworth, CA

TITLE: **OUTLINE/INSTALLATION DRAWING, 7604A SERIES**

SIZE B	CAGE CODE 2W033	DWG NO 127-7604A	REV B
---------------	------------------------	-------------------------	--------------

SCALE: 4:1 SHEET 1 OF 1

Model Number 7604A6	PERFORMANCE SPECIFICATION	DOC NO PS7604A6
	VARIABLE CAPACITANCE ACCELEROMETER	REV E, ECN 13958, 01/10/18



- POWER SUPPLY IDENTICAL TO STRAIN GAGE SENSORS
- VARIABLE CAPACITANCE ACCELEROMETER
- DIFFERENTIAL MODE
- HERMETICALLY SEALED
- DC RESPONSE
- INTEGRAL CABLE
- ENVIRONMENTAL BOOT

	ENGLISH		SI	
PHYSICAL				
Weight, Max (less cable)	0.1	oz	3.6	grams
Integral Cable	Flying Leads		Flying Leads	
Material	Titanium Alloy		Titanium Alloy	
PERFORMANCE				
Input Range	±200	g	±1962	m/s ²
Frequency Response (±3dB), Min	0-1750	Hz	0-1750	Hz
Resonant Frequency	3.5	kHz	3.5	kHz
Sensitivity Differential, ±5% [1]	2.5	mV/g	0.25	mV/m/s ²
Output Noise, Differential ,Typ	200	µ g rms/v Hz	1962	µ m/s ² /V Hz
Non-Linearity, Max [2]	0.5	% F.S	0.5	% F.S
Sensitivity Change with Excitation Voltage (6-22 Volts)	0.3	%	0.3	%
Cross Axis Sensitivity	< 3	%	< 3	%
Zero Measurand Output	±50	mV	±50	mV

ENVIRONMENTAL				
Maximum Mechanical Shock (0.1 ms)	5000	gpk	49050	m/s ² peak
Bias Temperature Shift ,Max [3]	111	(ppm of span)/°F	200	(ppm of span)/°C
Sensitivity Temperature Shift	277	ppm/°F	500	ppm/°C
Operating Temperature Range	-40 to +248	°F	-40 to +120	°C
Seal	Hermetic		Hermetic	

ELECTRICAL				
Output Common Mode Voltage ± VDC	[4]		[4]	
Output Impedance, Nom	1225	Ω	1225	Ω
Operating Voltage	±3 to ±11	VDC	±3 to ±11	VDC
Operating Current, Max	13	mA Dc	13	mA Dc
Change in Operating Current to Excitation Voltage	0.25	mAVV	0.25	mAVV

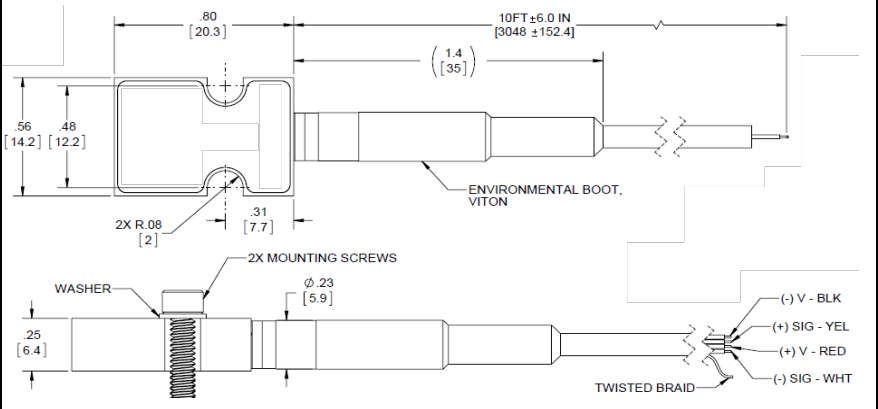
This family also includes:

Model	Input Range (g)	Frequency response (Hz)	Sensitivity Differential, ±5% (mV/g)	Max.Shock (0.1ms) (gpk)	Noise Differential (µg/√Hz)
7604A1	±5	0-400	100	2000	12
7604A2	±10	0-600	50	5000	18
7604A3	±25	0-900	20	5000	25
7604A4	±50	0-1200	10	5000	50
7604A5	±100	0-1400	5	5000	100

Refer to the performance specifications of the products in this family for detailed description

- Supplied Accessories:**
- 1) Accredited calibration certificate (ISO 17025)
 - 2) Mounting screws, model 6746, 4-40, Qty. 2
 - 3) Mounting screws, model # 6688, M3x0.5, Qty. 2
 - 4) Mounting washers model # 6743, Qty. 4

- Notes:**
- [1] Single ended sensitivity is half of values shown
 - [2] -90% to +90% of Full Scale
 - [3] Over the rated temperature range
 - [4] Bias voltage equal to (+ V - (-V)) / 2
 - [5] In the interest of constant product improvement, we reserve the right to change specifications without notice.



Units on the line drawing are in inches, units in brackets are in millimeters. Refer to 127-7604A for more information.

