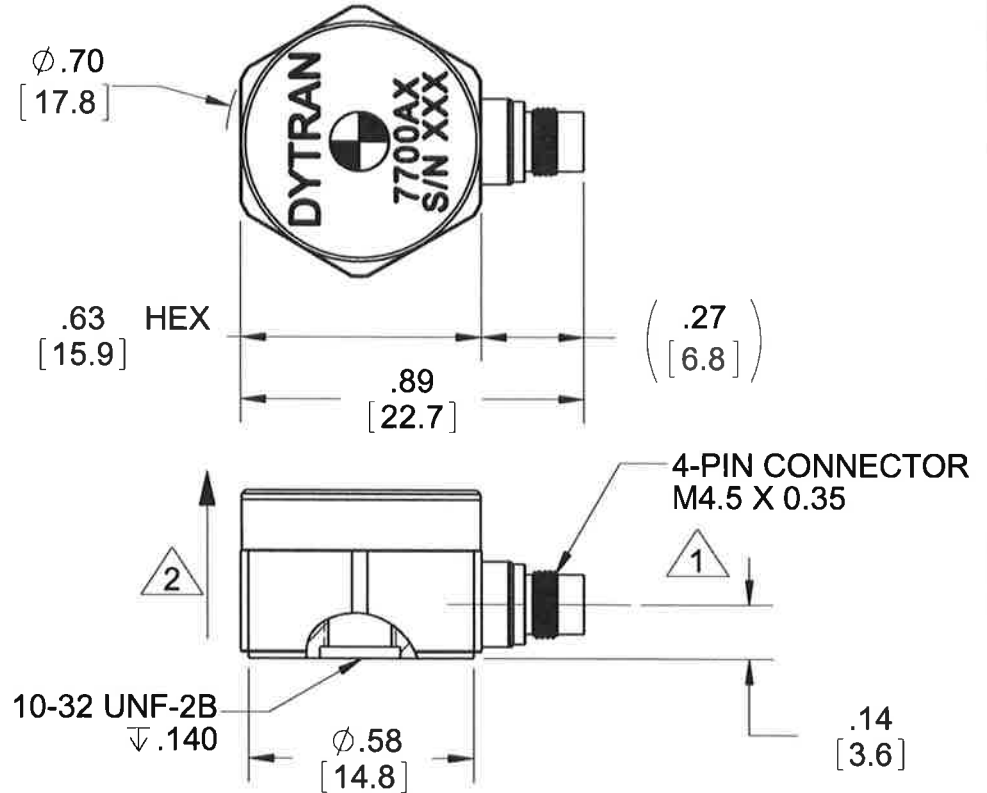
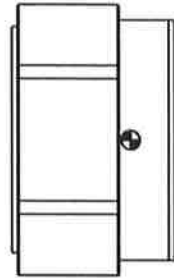


PROPRIETARY AND CONFIDENTIAL

THE INFORMATION CONTAINED IN THIS DRAWING IS THE SOLE PROPERTY OF DYTRAN INSTRUMENTS INC. ANY REPRODUCTION IN PART OR AS A WHOLE WITHOUT THE WRITTEN PERMISSION OF DYTRAN INSTRUMENTS INC. IS PROHIBITED

MODEL	RANGE
7700A1	±5G
7700A2	±10G
7700A3	±25G
7700A4	±50G
7700A5	±100G
7700A6	±200G



REVISIONS					
REV	ECN	DESCRIPTION	BY/DATE	CHK	APPR
C	9942	SHT 2 - .44 [11] WAS: .50 [12.7]	LN 05/20/13	JS	DV
D	11120	NOTE 5: TEMPERATURE RANGE -40 TO 248 °F [-40 TO 120 °C] WAS -40 TO 176 °F [-40 TO 80 °C]	EC 07/07/14	91	<i>[Signature]</i>

- 6. WEIGHT: 8 GRAMS MAX
- 5. OPERATING TEMPERATURE RANGE: -40 TO 248 °F [-40 TO 120°C]
- 4. HOUSING/CONNECTOR MATERIAL: TITANIUM ALLOY
- 3 MOUNT USING DYTRAN 6200 MODEL (SUPPLIED)
- 2 ARROW INDICATES DIRECTION OF ACCELERATION FOR POSITIVE OUTPUT
- 1 MATES WITH DYTRAN 6895AXX CABLE (XX = LENGTH IN FEET)

NOTES: UNLESS OTHERWISE SPECIFIED

UNLESS OTHERWISE SPECIFIED: INTERPRET DIM & TOL PER ASME Y14.5M - 1994. REMOVE BURRS. COUNTERSINK INTERNAL THDS 90° TO MAJOR DIA. CHAM EXT THDS 45° TO MINOR DIA. THD LENGTHS AND DEPTHS ARE FOR MIN FULL THDS. THDS PER MIL-S-7742. DIMENSIONS APPLY AFTER FINISHING.	UNLESS OTHERWISE SPECIFIED: DIMENSIONS ARE IN INCHES. DIMENSIONS IN BRACKETS [] ARE IN MILLIMETERS TOLERANCES ARE: INCHES METRIC ANGLES .XX ± .03 .X ± 0.8 ± 1° .XXX ± .010 .XX ± 0.25
USED ON	NEXT ASSY
APPLICATION	
THIRD ANGLE PROJECTION USA	
ALL MACHINED SURFACES. ⁶³ ✓ TOTAL RUNOUT WITHIN .005. BREAK SHARP EDGES .005 TO .010. MACHINED FILLET RADII .005 TO .015. WELDING SYMBOLS PER AWS A2.4. ABBREVIATIONS PER MIL-STD-12.	

MATERIAL	DO NOT SCALE DRAWING
FINISH	

CONTRACT NO.	
APPROVALS	DATE
ORIG	DV 02/23/11
CHK	LN 08/14/12
APP	DV 08/21/12
APP	<i>[Signature]</i> 3/30/14

DYTRAN INSTRUMENTS, INC. Chatsworth, CA

MASTER ONLY IF IN RED

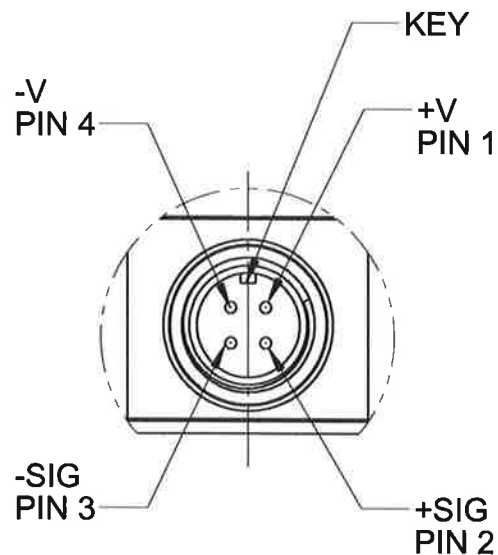
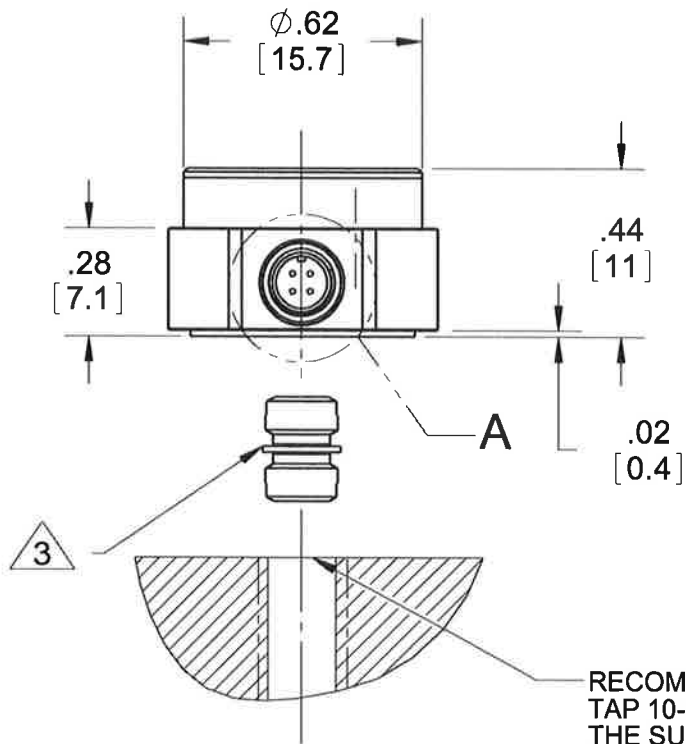
TITLE: **OUTLINE/INSTALLATION DRAWING, 7700 SERIES**

SIZE	CAGE CODE	DWG. NO.	REV
A	2W033	127-7700A	D

SCALE: NONE SOLIDWORKS SHEET 1 OF 2

PROPRIETARY AND CONFIDENTIAL

THE INFORMATION CONTAINED IN THIS DRAWING IS THE SOLE PROPERTY OF DYTRAN INSTRUMENTS INC. ANY REPRODUCTION IN PART OR AS A WHOLE WITHOUT THE WRITTEN PERMISSION OF DYTRAN INSTRUMENTS INC. IS PROHIBITED



DETAIL A
SCALE 4 : 1

RECOMMENDED MOUNTING PREPARATION:
TAP 10-32 UNF-2B X .160 MIN DEEP. ASSURE THE SURFACE FLATNESS BETTER THAN .001 TIR. MOUNTING TORQUE: 6-8 LB-IN.

		UNLESS OTHERWISE SPECIFIED: INTERPRET DIM & TOL PER ASME Y14.5M - 1994. REMOVE BURRS. COUNTERSINK INTERNAL THDS 90° TO MAJOR DIA. CHAM EXT THDS 45° TO MINOR DIA. THD LENGTHS AND DEPTHS ARE FOR MIN FULL THDS. THDS PER MIL-S-7742. DIMENSIONS APPLY AFTER FINISHING.	UNLESS OTHERWISE SPECIFIED: DIMENSIONS ARE IN INCHES. DIMENSIONS IN BRACKETS [] ARE IN MILLIMETERS TOLERANCES ARE: INCHES METRIC ANGLES .XX ± .03 .X ± 0.8 ± 1° .XXX ± .010 .XX ± 0.25	CONTRACT NO.	MASTER Chatsworth, CA ONLY IF IN RED	
USED ON	NEXT ASSY			TITLE:		
APPLICATION				OUTLINE/INSTALLATION DRAWING, 7700 SERIES		
THIRD ANGLE PROJECTION USA		ALL MACHINED SURFACES. TOTAL RUNOUT WITHIN .005. BREAK SHARP EDGES .005 TO .010. MACHINED FILLET RADII .005 TO .015. WELDING SYMBOLS PER AWS A2.4. ABBREVIATIONS PER MIL-STD-12.	MATERIAL	APPROVALS	DATE	
			FINISH DO NOT SCALE DRAWING	ORIG	DV	02/23/11
				CHK	LN	08/14/12
				APP	DV	08/21/12
				APP		
SIZE	CAGE CODE	DWG. NO.	REV			
A	2W033	127-7700A	D			
SCALE: NONE		SOLIDWORKS	SHEET 2 OF 2			

