

AC135-M12A

Low Frequency Accelerometer, Top Exit M12 Connector, 500 mV/g



Actual Product Size Shown



Product Features

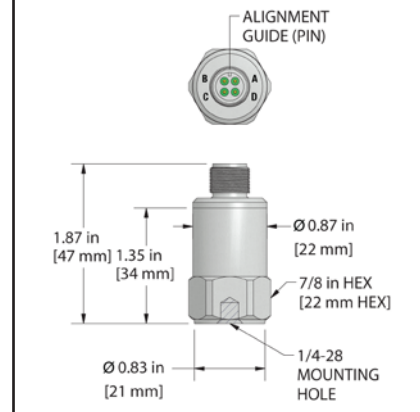
**Low Frequency/Slow Speed Sensor
Now with an M12 Connector**

0,2 - 3000 Hz (12 - 180,000 CPM)

- 500 mV/g Sensitivity, $\pm 10\%$ Sensitivity
- Common M12 Connector
- ± 10 g, Peak Dynamic Range

AC135-M12A 4 Pin Connector

Connector Pin	Polarity
A	(+) Signal/Power
B	(-) Common
C	Not Used
D	Not Used



Specifications	Standard	Metric
Part Number	AC135-M12A	M/AC135-M12A
Sensitivity ($\pm 10\%$)	500 mV/g	
Frequency Response (± 3 dB)	12-180,000 CPM	0,2-3000 Hz
Frequency Response ($\pm 10\%$)	36-90,000 CPM	0,6-1500 Hz
Dynamic Range	± 10 g, peak	
Electrical		
Settling Time	5 Seconds	
Voltage Source (IEPE)	18-30 VDC	
Constant Current Excitation	2-10 mA	
Spectral Noise @ 10 Hz	1.7 μ g/ \sqrt Hz	
Spectral Noise @ 100 Hz	0.2 μ g/ \sqrt Hz	
Spectral Noise @ 1000 Hz	0.12 μ g/ \sqrt Hz	
Output Impedance	<100 ohm	
Bias Output Voltage	10-14 VDC	
Case Isolation	>10 ⁹ ohm	

Specifications	Standard	Metric
Environmental		
Temperature Range	-58 to 250°F	-50 to 121°C
Electromagnetic Sensitivity	CE	
Sealing	IP68	
Physical		
Sensing Element	PZT Ceramic	
Sensing Structure	Shear Mode	
Weight	3.1 oz	87 grams
Case Material	316L Stainless Steel	
Mounting	1/4-28	
Connector (non-integral)	M12	
Resonant Frequency	960,000 CPM	16000 Hz
Mounting Torque	2 to 5 ft. lbs.	2,7 to 6,8 Nm
Mounting Hardware	1/4-28 Stud	M6x1 Adapter Stud
Calibration Certificate	CA10	

Ordering Information

Standard	AC135-M12A (1/4-28 Stud)
Metric	M/AC135-M12A (M6x1 Adapter Stud)

Backed by our Unconditional Lifetime Warranty

www.ctconline.com

