



Actual Product Size Shown



### Product Features

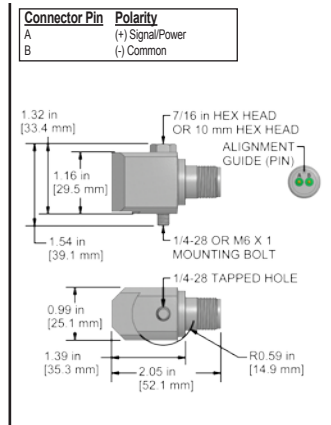
#### Low Frequency/Slow Speed Sensor

0,2 - 3000 Hz (12 - 180,000 CPM)

- 500 mV/g, ±10% Sensitivity
- Standard 2 Pin MIL Connection
- ±10 g, Peak Dynamic Range

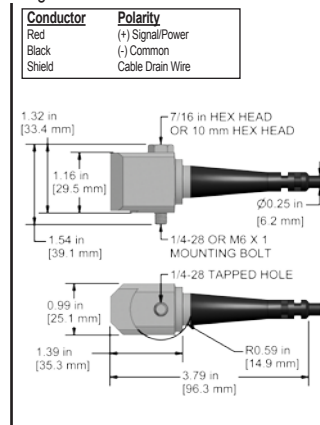
### AC136-1A

2 Pin Connector



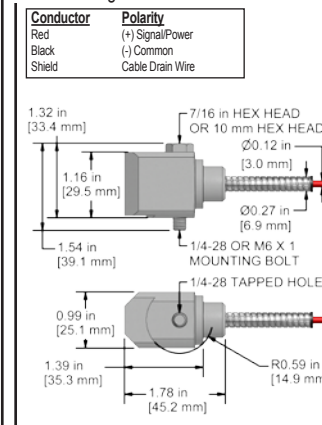
### AC136-2C

Integral Cable



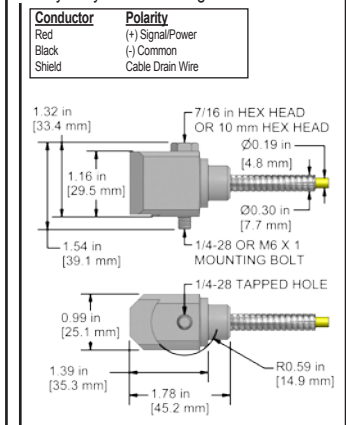
### AC136-3C

Armored Integral Cable



### AC136-6C

Heavy Duty Armored Integral Cable



Specifications	Standard	Metric
Part Number	AC136	M/AC136
Sensitivity (±10%)	500 mV/g	
Frequency Response (±3dB)	12-180,000 CPM	0,2-3000 Hz
Frequency Response (±10%)	36-90,000 CPM	0,6-1500 Hz
Dynamic Range	± 10 g, peak	
<b>Electrical</b>		
Settling Time	5 Seconds	
Voltage Source (IEPE)	18-30 VDC	
Constant Current Excitation	2-10 mA	
Spectral Noise @ 10 Hz	1.7 µg/√Hz	
Spectral Noise @ 100 Hz	0.2 µg/√Hz	
Spectral Noise @ 1000 Hz	0.12 µg/√Hz	
Output Impedance	<100 ohm	
Bias Output Voltage	10-14 VDC	
Case Isolation	>10 <sup>8</sup> ohm	

Specifications	Standard	Metric
<b>Environmental</b>		
Temperature Range	-58 to 250°F	-50 to 121°C
Electromagnetic Sensitivity	CE	
Sealing	IP68	
Submersible Depth (AC136-2C/3C)	200 ft.	60 m
<b>Physical</b>		
Sensing Element	PZT Ceramic	
Sensing Structure	Shear Mode	
Weight	5.5 oz	156 grams
Case Material	316L Stainless Steel	
Mounting	1/4-28	
Connector (non-integral)	2 Pin MIL-C-5015	
Resonant Frequency	840,000 CPM	14000 Hz
Mounting Torque	2 to 5 ft. lbs.	2,7 to 6,8 Nm
Mounting Hardware	1/4-28 Captive Bolt	M6x1 Captive Bolt
Calibration Certificate	CA10	

### Ordering Information

Standard	AC136-1A	AC136-2C - /	AC136-3C - /	AC136-6C - /
	(1/4-28 Captive Bolt)	(1/4-28 Captive Bolt)	(1/4-28 Captive Bolt)	(1/4-28 Captive Bolt)
		(length in feet) (termination)	(maximum armor length 100 ft.) (cable length in feet) (termination)	(maximum armor length 20 ft.) (cable length in feet) (termination)
Metric	M/AC136-1A (M6x1 Captive Bolt)	M/AC136-2C - / (M6x1 Captive Bolt)	M/AC136-3C - / (M6x1 Captive Bolt)	M/AC136-6C - / (M6x1 Captive Bolt)
		(length in meters) (termination)	(maximum armor length 30 m) (cable length in meters) (termination)	(maximum armor length 6 m) (cable length in meters) (termination)

Cable Termination Options: E F L Z



Backed by our Unconditional Lifetime Warranty